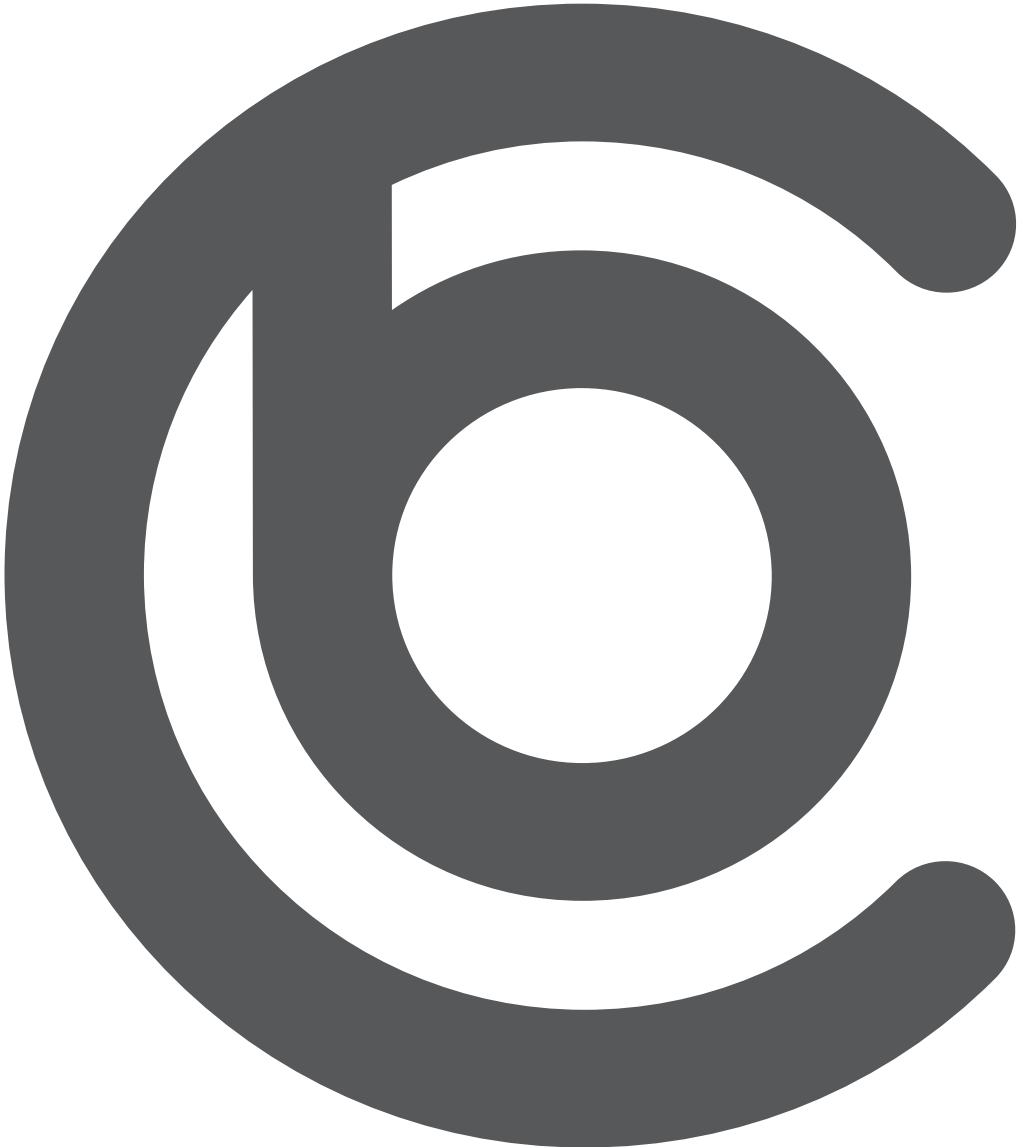


TRADE COPY

© CARLISLE BRASS

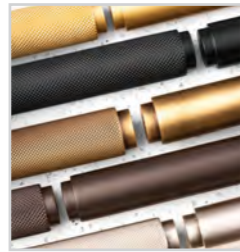
Residential and Commercial
Architectural Ironmongery



“
Quality
Architectural
Ironmongery”



Manital Range
6



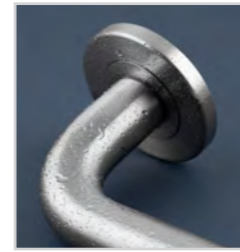
European Collection
18



SZM and ZIN Range
28



SZC Range
40



Grade 4 BSEN1906
206



Grade 316 Stainless Steel
212



Stainless Steel Levers on Screw on Rose
216



Stainless Steel Levers on Square Rose
224



SZR Range
46



Traditional Handles
52



Mortice Knobs
60



Pull Handles & Push Plates
70



Stainless Steel Levers on Slim Rose
228



Stainless Steel Levers on Rose
232



Stainless Steel Levers on Backplate
238



Stainless Steel Pull Handles
246



Art Deco
80



Residential Hinges
84



Black Antique
88



External Door Furniture
106



Stainless Steel Accessories
256



Stainless Steel External Door Furniture
270



Aluminium Collection
274



High Specification Hinges
286



Window Fittings
118



Accessories
130



Cabinet Hardware
142



Bathroom Accessories
192



CEAM Hinges
304



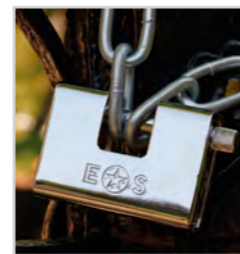
Door Controls
310



Locks & Latches
328



Cylinders
362



Outdoor Security
390



Panic & Emergency Exit Hardware
400



Intumescent Fire Protection & Acoustic Sealing Systems
406

Follow our sustainability journey

In recent months, we've started working on the following initiatives:



Launching a packaging project to eliminate plastic, improve recyclability, and reduce packaging sizes. In turn reducing the number of containers we ship.



Migrating our company vehicles to EV and hybrid models, as well as installing on-site charging points.



Switching to North West Recycling we are diverting the majority of our waste from landfill.



Switching carriers to DPD, who are committed to rolling out all-electric delivery vehicles in 30 UK cities by the end of 2023.



Optimising our website performance to reduce the amount of CO2 emissions per-click.



We have joined Planet Mark. Certification is only the very beginning of our journey. Planet Mark is a sustainability certification that verifies and measures carbon and social data to reduce emissions and achieve the UN Sustainable Development Goals.








Empowering
CHANGE for a
brighter future



PlanetMark

 **MANITAL**

 **MADE IN ITALY**

-  **Designed with luxury in mind**
-  **One of the UK's most sought-after brands**
-  **Made in Italy**
-  **Premium quality products and finishes**
-  **Other levers and finishes available as special order**



SX5



SCAN ME

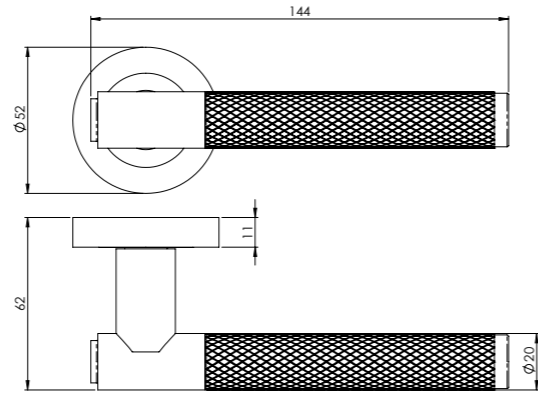
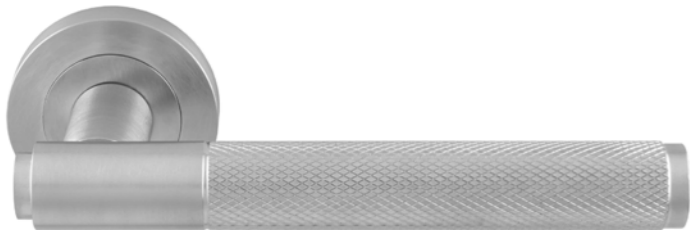
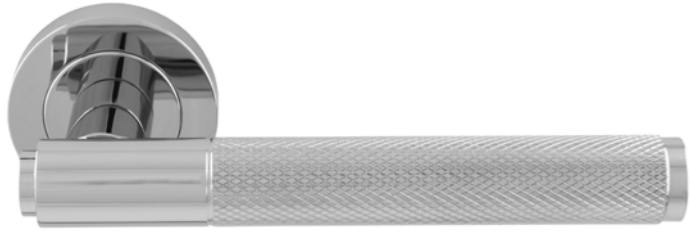
 **MANITAL**
Scan to see
our extended
Manital Range





New

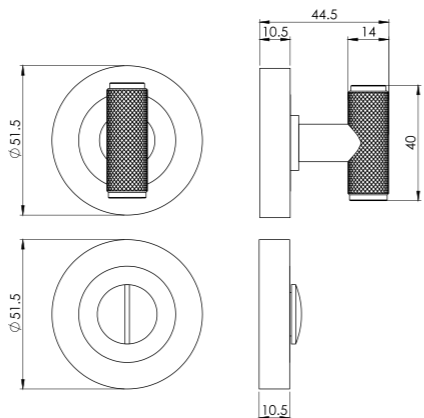
SX5
Syntax



Matching Escutcheons EUL001 & EUL002 on page 25

New

ARTSY40
Turn & Release

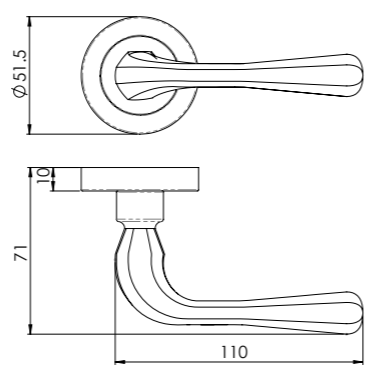




MADE IN ITALY



AQ1
Astro
CP PB SC



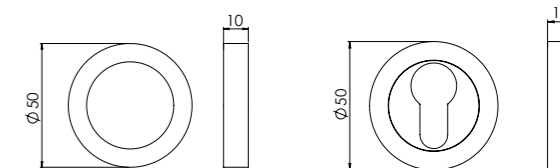
MADE IN ITALY



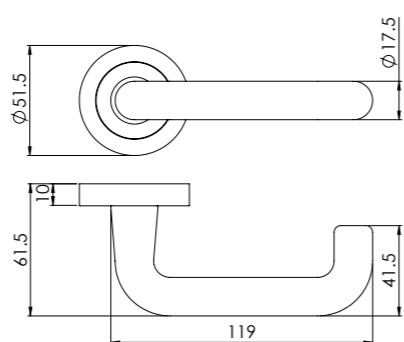
AA0
Blank Escutcheon
CP PB



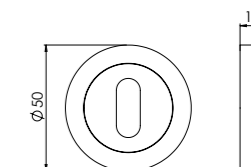
AA1
Euro Escutcheon
CP PB SC SN



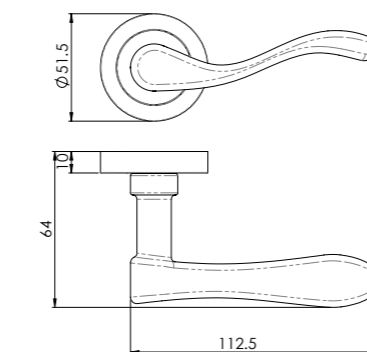
AQ2
Studio H
PB



AA3
Lock Escutcheon
CP PB SC SN

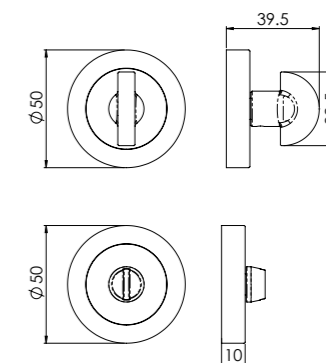


AQ3
Apollo
CP PB SC

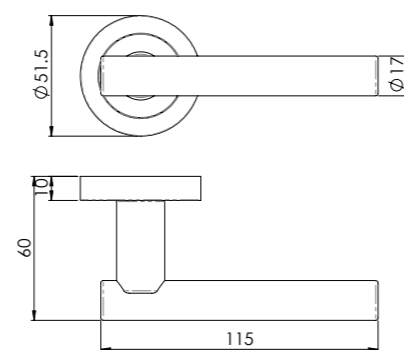


AA12
Thumbturn & Release
CP PB SC

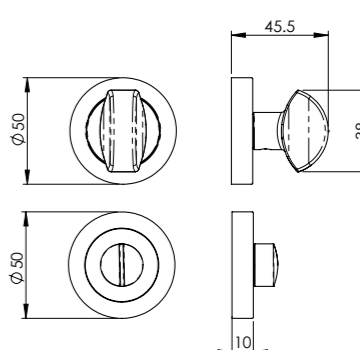
AA12L
Long Spindle Variation Available
CP PB SC



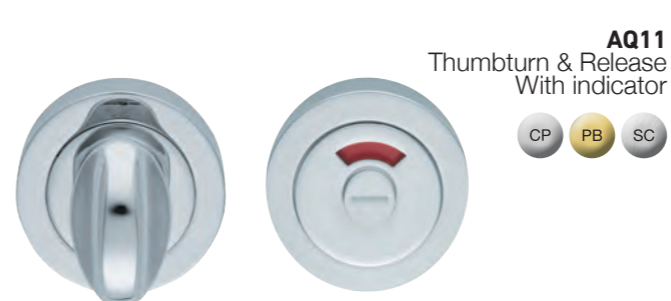
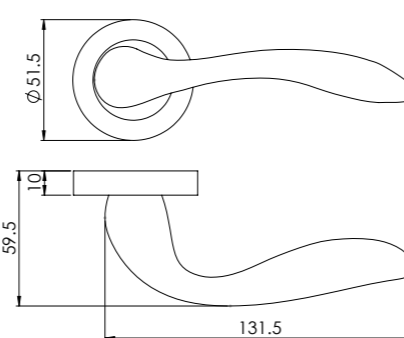
AQ4
Calla
CP PB SC



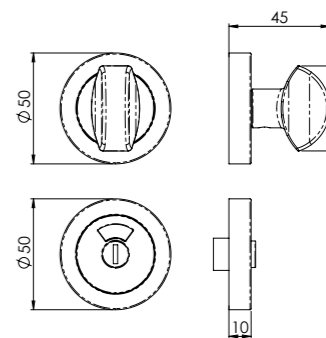
AQ12
Thumbturn & Release
CP PB SC SN



G15
Giava
CP PB SC

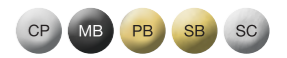


AQ11
Thumbturn & Release
With indicator
CP PB SC





EL12
Ibra on Latch Backplate
EL13
Bathroom
EL11
Lock



EL11Y
Euro



EL12CP
Polished Chrome



EL12MB
Matt Black



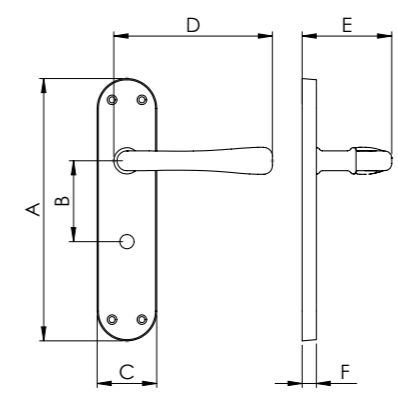
EL12
Polished Brass



EL12SB
Satin Brass



EL12SC
Satin Chrome



	A	B	C	D	E	F
EL11	185	57	40	119	69	11
EL12	185	-	40	119	69	11
EL11Y	185	47.5	40	119	69	11
EL13	185	57	40	119	69	11

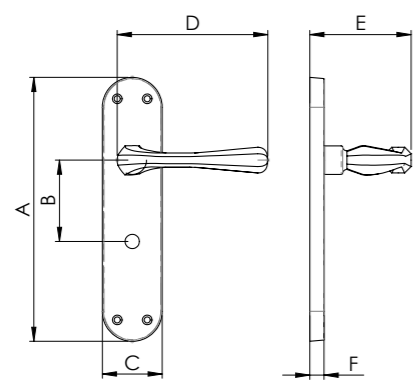
EL22
Astro on Latch Backplate



EL21
Lock

EL21Y
Euro

EL23
Bathroom



	A	B	C	D	E	F
EL21	185	57	40	108	71	11
EL22	185	-	40	108	71	11
EL21Y	185	47.5	40	108	71	11
EL23	185	57	40	108	71	11

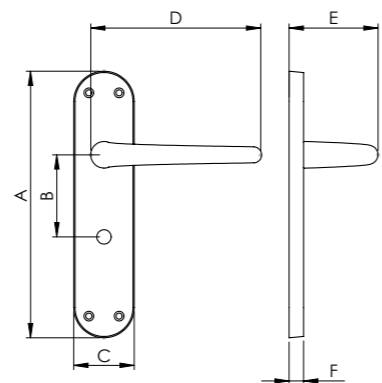
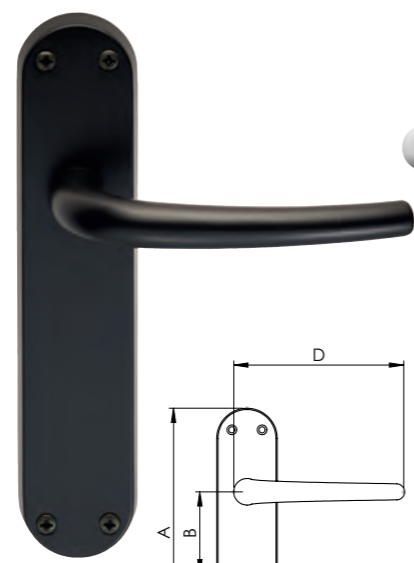
EL32
Lilla on Latch Backplate

EL33
Bathroom

EL31
Lock



EL31Y
Euro



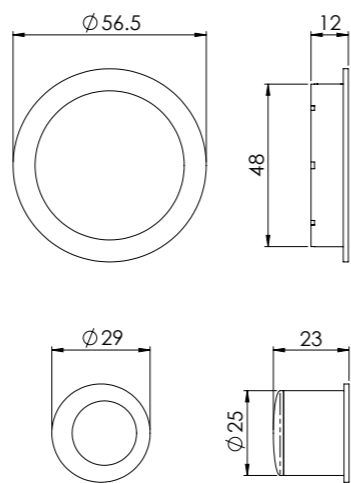
	A	B	C	D	E	F
EL31	185	57	40	118	71	11
EL32	185	-	40	118	71	11
EL31Y	185	47.5	40	118	71	11
EL33	185	57	40	118	71	11



MADE IN ITALY

ART54A
Sliding Door Rose
c/w Flush Pull

- CP
- PB**
- SC
- SN



MADE IN ITALY

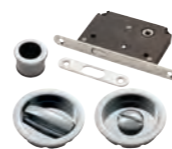
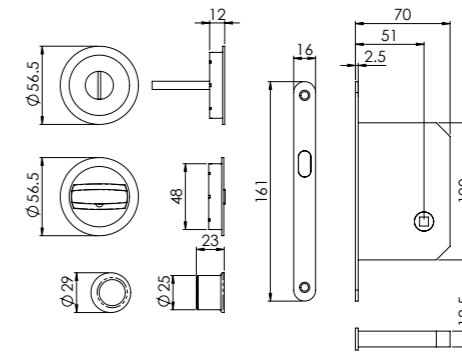


ART55B
Sliding Door Set
c/w WC Turn, Flush Pull
and Lock

- CP
- MB
- PB**
- SB
- SC
- SN



ART55BMB
Matt Black



ART55BCP
Polished Chrome



ART55B
Polished Brass



ART55BSB
Satin Brass



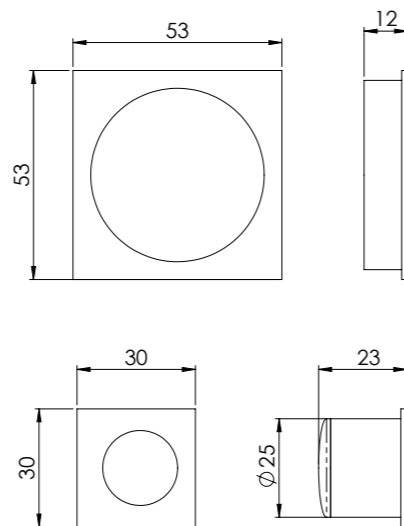
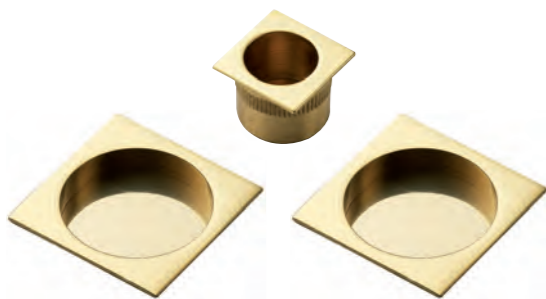
ART55BSC
Satin Chrome



ART55BSN
Satin Nickel

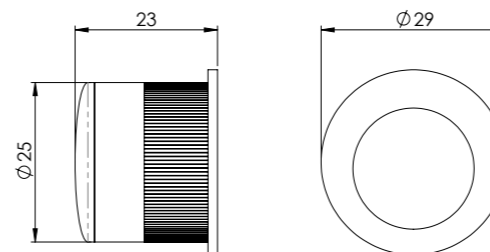
ART54AQ
Square Sliding Door Rose
c/w Flush Pull

- CP
- PB**
- SC
- SN



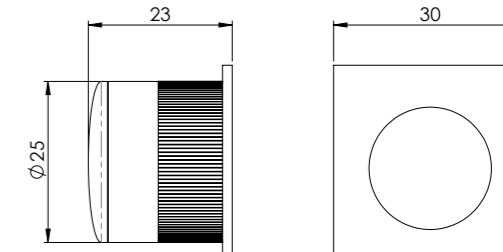
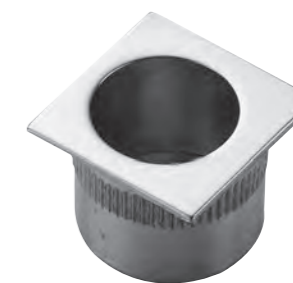
ART56
Small Flush Pull

- CP
- MB
- PB**
- SB
- SC
- SN



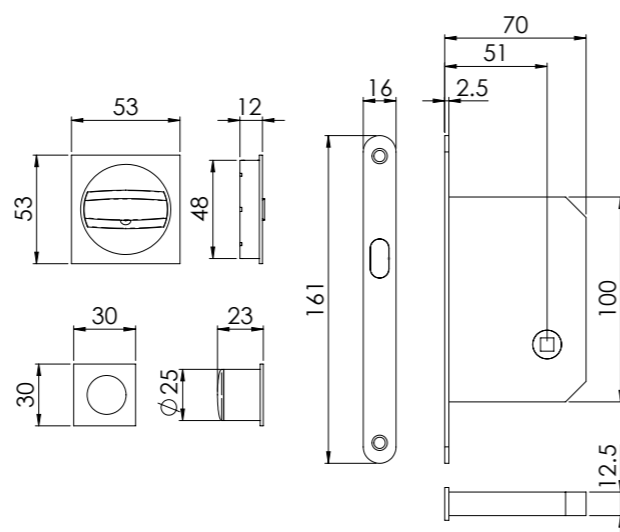
ART56Q
Small Square Flush Pull

- CP
- PB**
- SC
- SN



ART55BQ
Square Sliding Door set
c/w WC Turn, Flush Pull
and Lock

- CP
- PB**
- SC
- SN



CARLISLE BRASS

European Collection

© European designed and manufactured

© A full range of accessories to suit



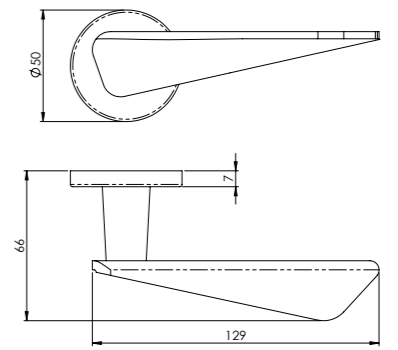


MADE IN ITALY



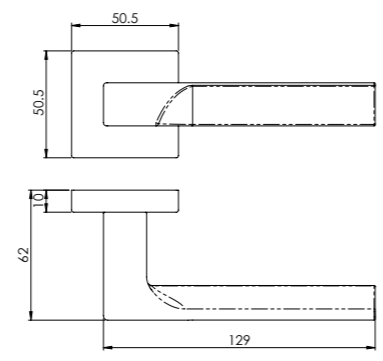
IN5
Intona

- AB
- ANT
- BLK
- CP
- SB
- SC



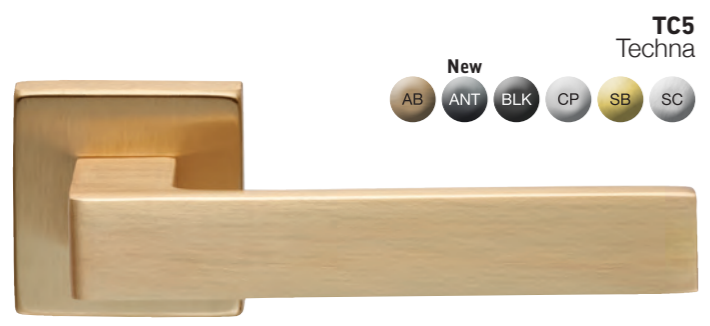
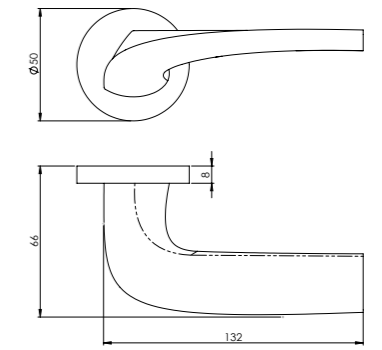
FH5
Flash

- AB
- ANT
- BLK
- CP
- SB
- SC



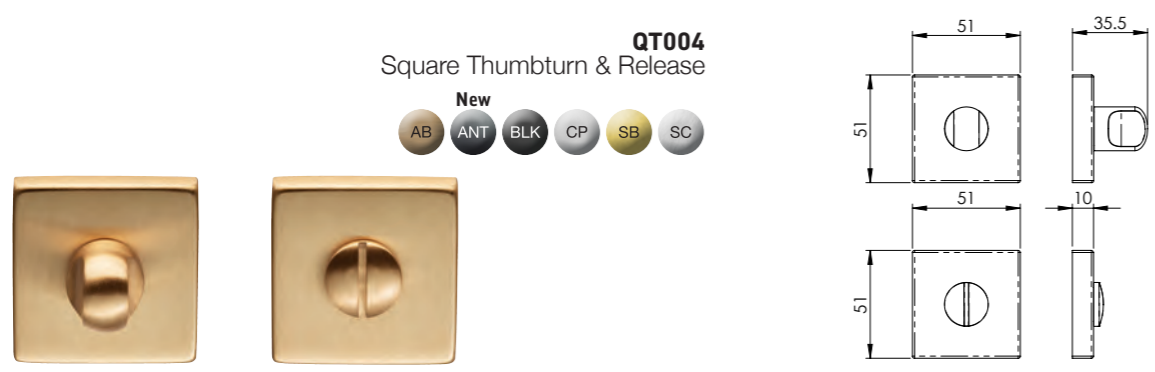
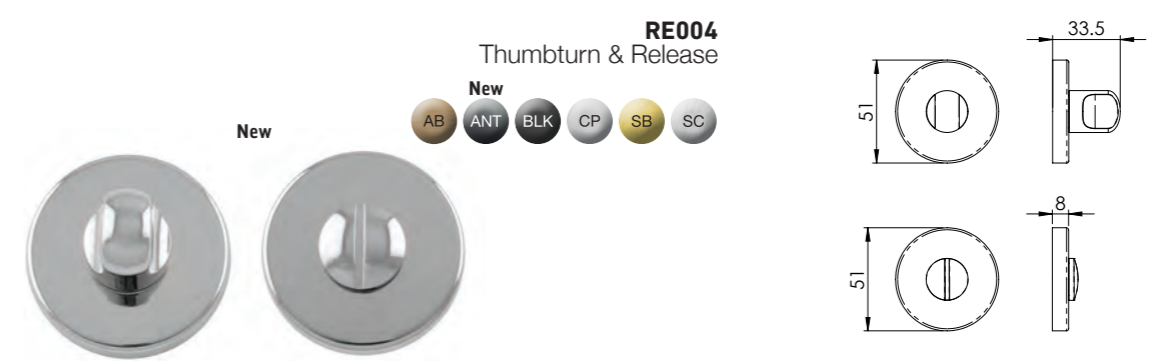
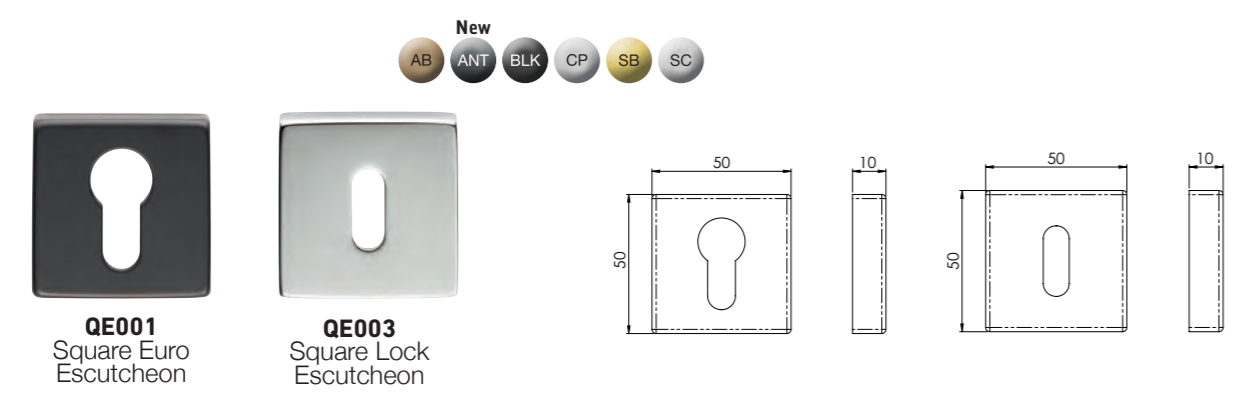
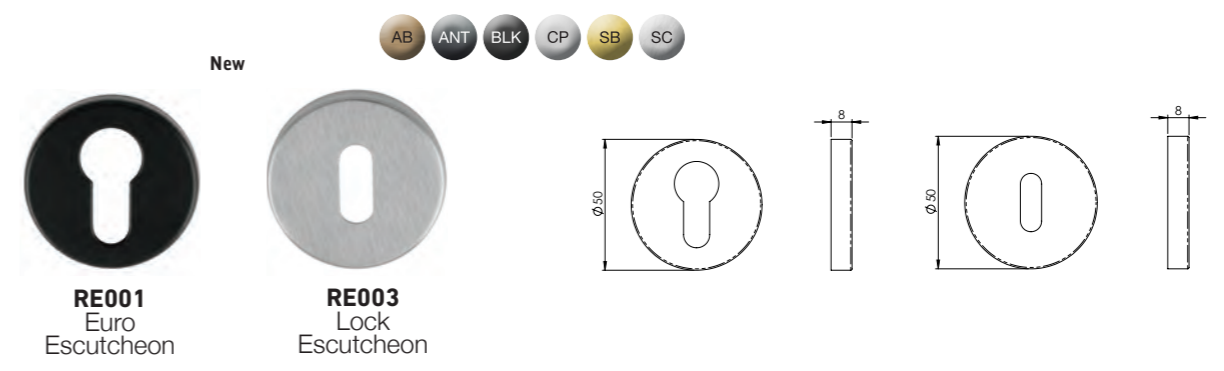
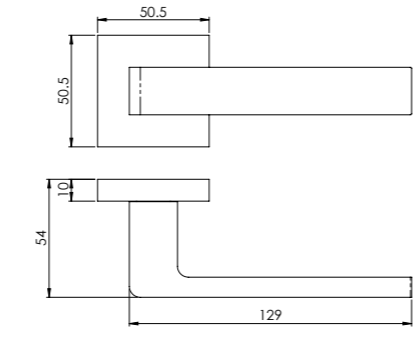
MS5
Master

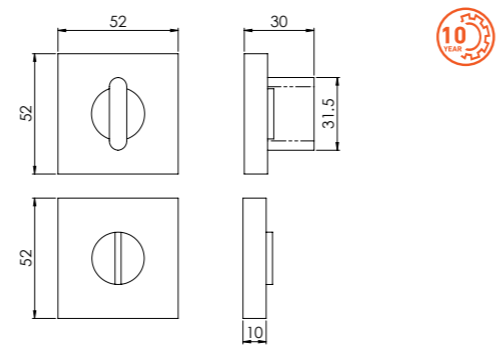
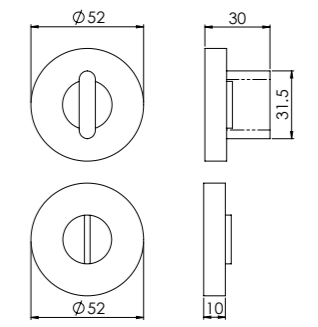
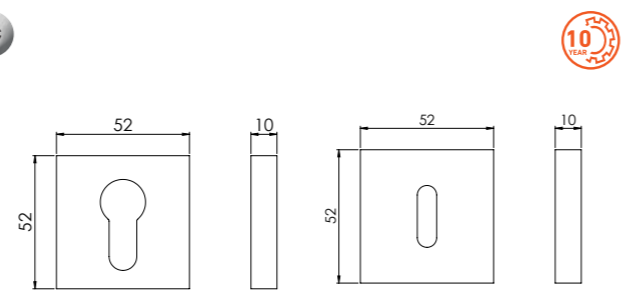
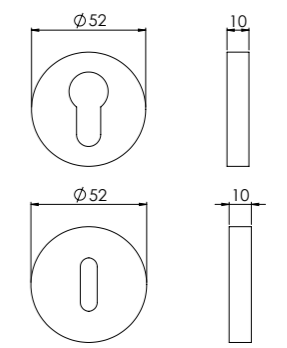
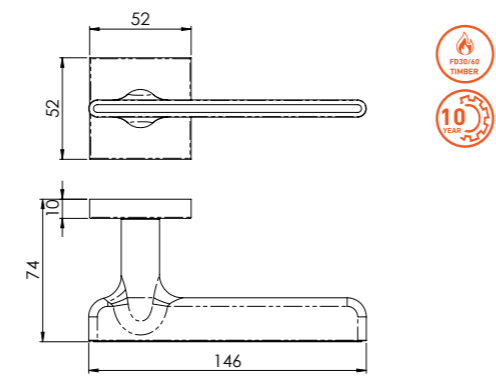
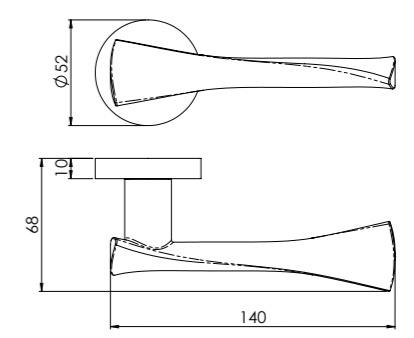
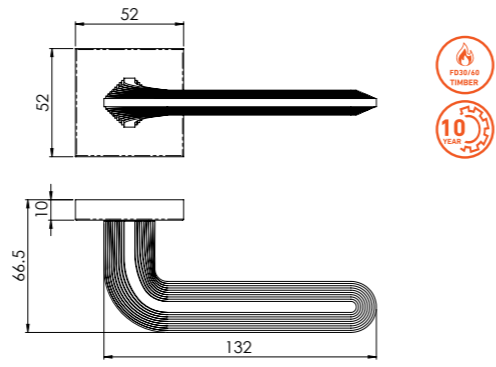
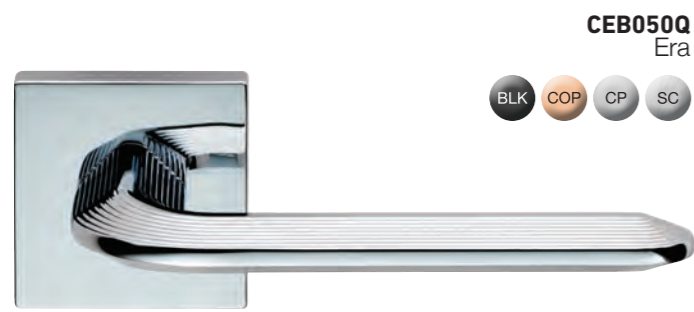
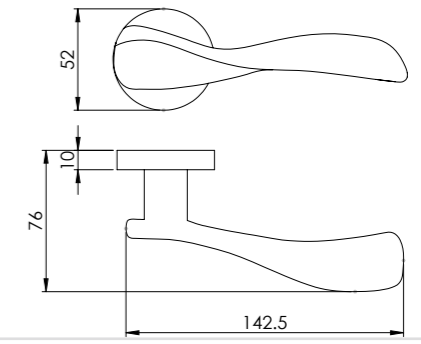
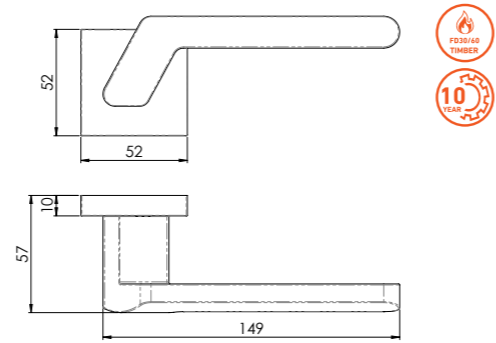
- AB
- ANT
- BLK
- CP
- SB
- SC



TC5
Techna

- AB
- ANT
- BLK
- CP
- SB
- SC



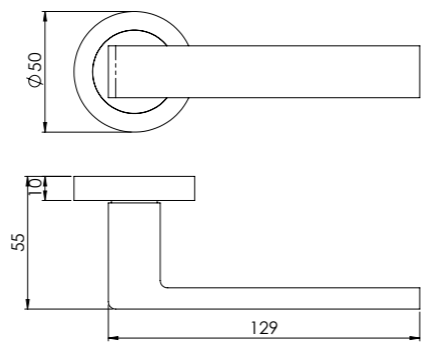




MADE IN ITALY

EUL010
Sasso

- AB
- MB
- MBRZ
- PN
- SB
- SN

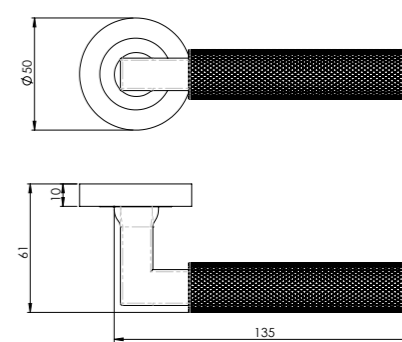


MADE IN ITALY



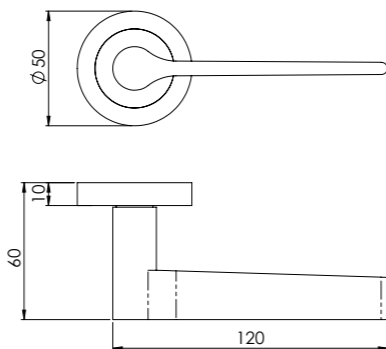
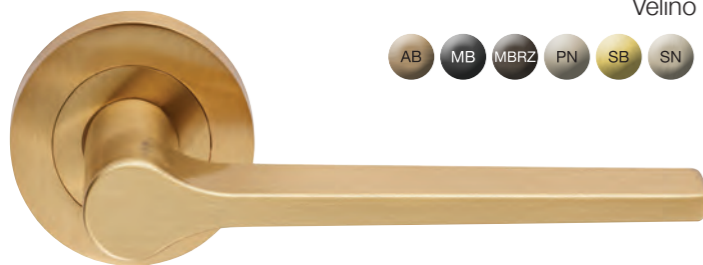
EUL060
Terazzo

- AB
- MB
- MBRZ
- SB
- SN



EUL020
Velino

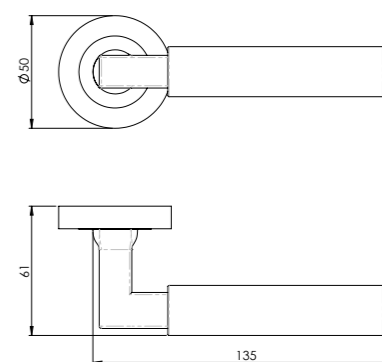
- AB
- MB
- MBRZ
- PN
- SB
- SN



New

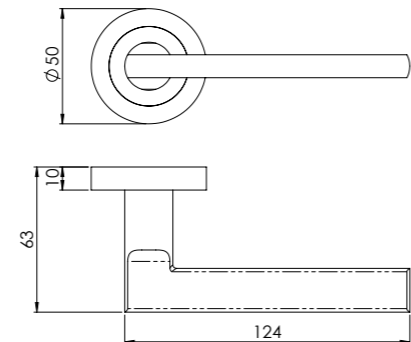
EUL070
Masano

- AB
- MB
- MBRZ
- SB
- SN



EUL030
Trentino

- AB
- MB
- MBRZ
- PN
- SB
- SN



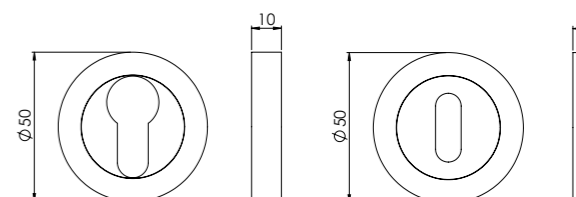
- New AB
- New CP
- MB
- MBRZ
- PN
- SB
- New SC
- SN



EUL001
Euro
Escutcheon

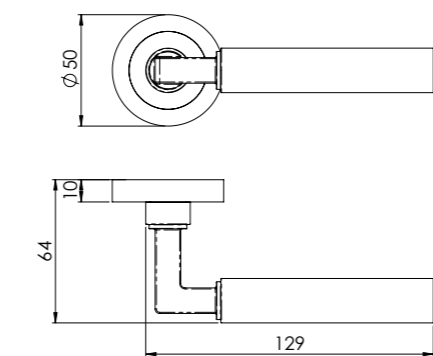


EUL002
Lock
Escutcheon



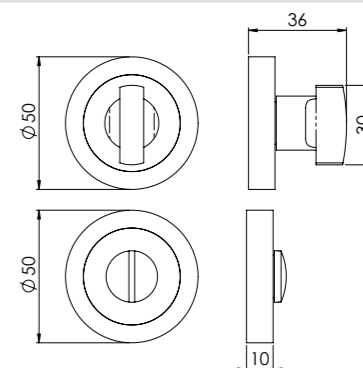
EUL040
Amiata

- AB
- MB
- MBRZ
- PN
- SB
- SN



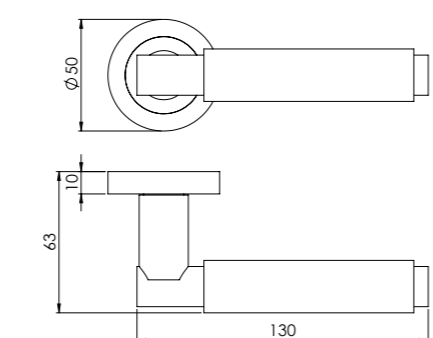
EUL004
Thumbturn & Release

- AB
- MB
- MBRZ
- PN
- SB
- SN



EUL050
Varese

- AB
- MB
- MBRZ
- PN
- SB
- SN



Matching Varese Pull Handles EUP050 on page 75










Combine wiring accessories
with ironmongery for
the complete look



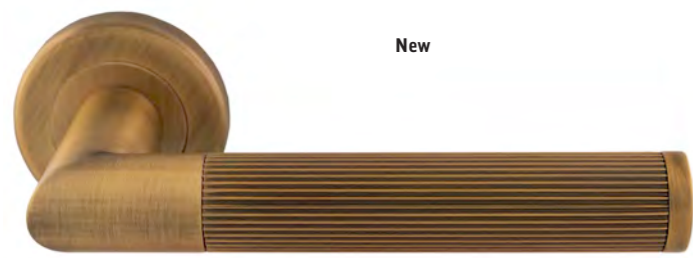
SCAN ME

SEROZZETTA

SZM and ZIN Range

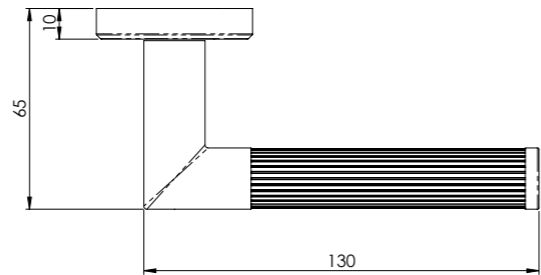
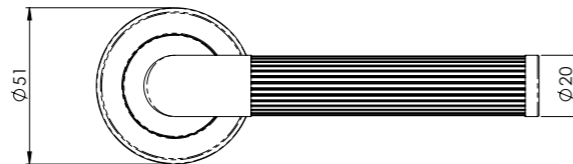
-  Includes some of our best-selling lever designs
-  Levers with screw-on roses
-  Plastic-free packaging
-  Face-fix levers on backplate
-  Zinc lever range





New

SZM170
Trend Lines
On Concealed
Fix Round Rose



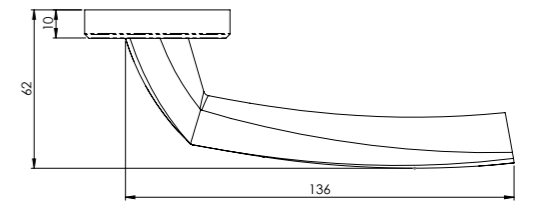
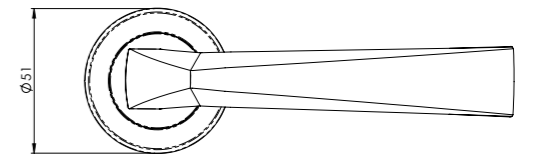
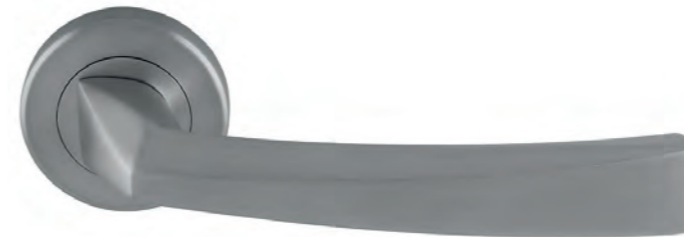
Matching Pull Handles PH170 on page 75



SZM310
Scopo Lever
On Concealed
Fix Round Rose



New

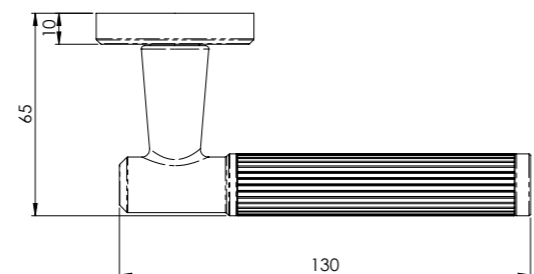
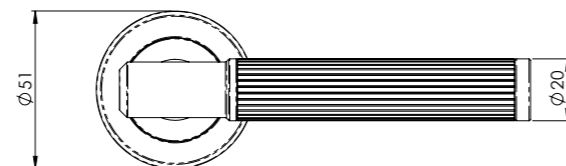


SZM310



New

SZM270
Image Lines
On Concealed
Fix Round Rose

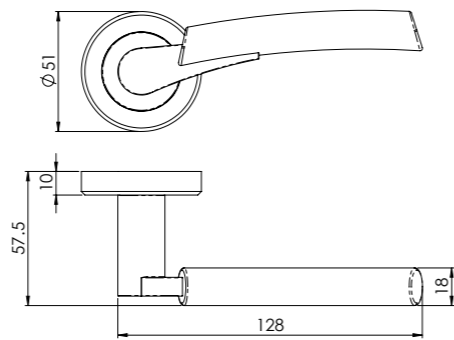


Matching Pull Handles PH170 on page 75



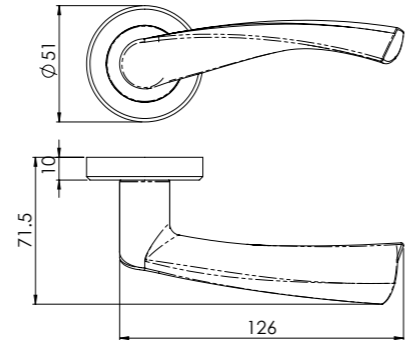
SZM014
Valiant

CPSN



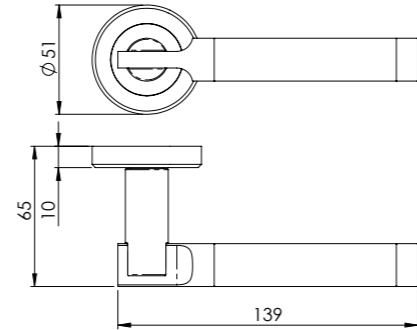
SZM025
Breeze

CP



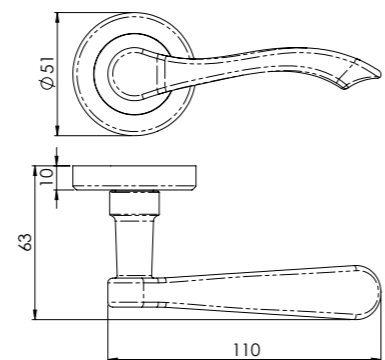
SZM110
Azul

SSCP



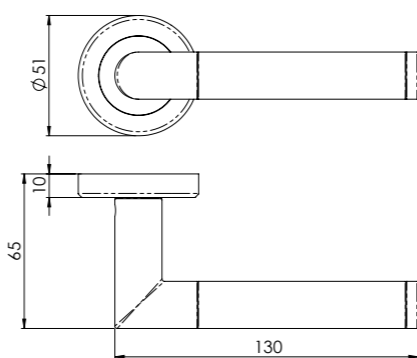
SZM130
Style

CP SC



SZM160
Trend

BN CPSC

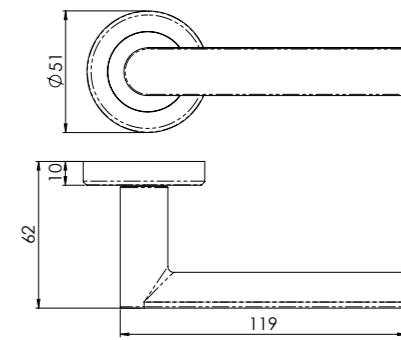


Matching Trend Pull Handle PH160B on page 75



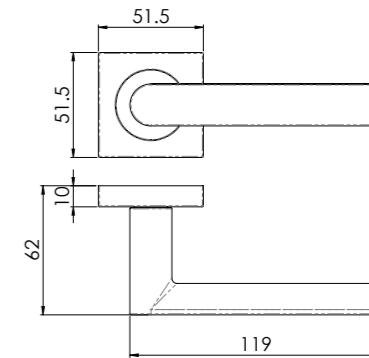
SZM210
Edge

AB CP MB SC



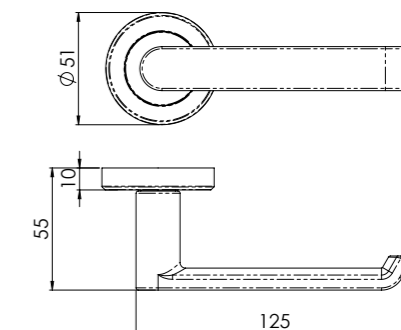
SZM210SQ
Edge Square Rose

CP



SZM220
Concept

CP SC

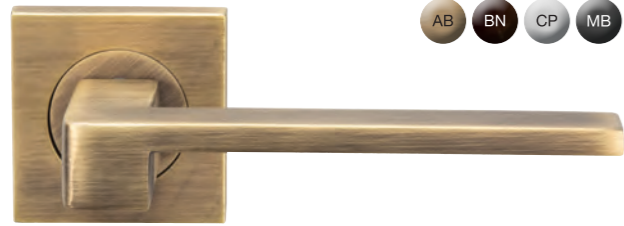
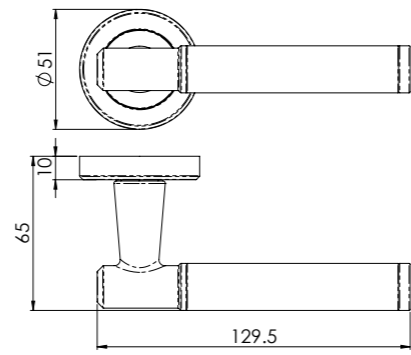


ZIN3112SC & ZIN3121CP



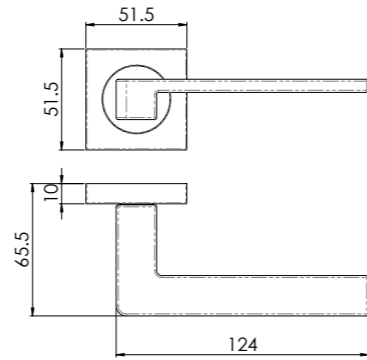
SZM250
Image

CPSC



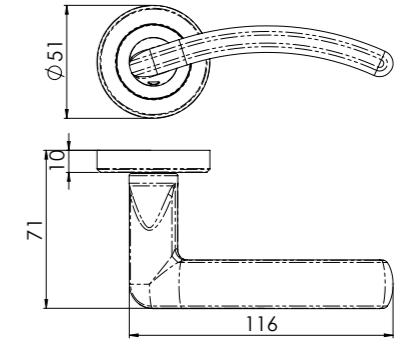
SZM370
Equi

AB BN CP MB SC



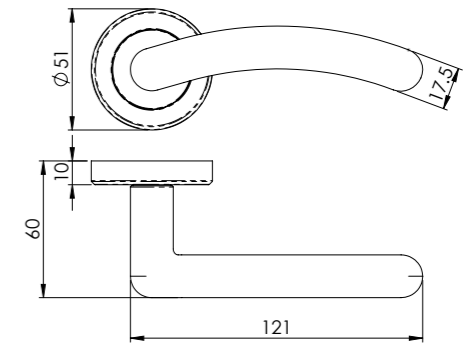
SZM380
Design

CP SC



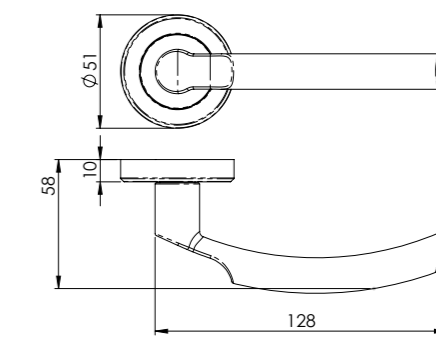
ZIN3003
Noxia

CP SC



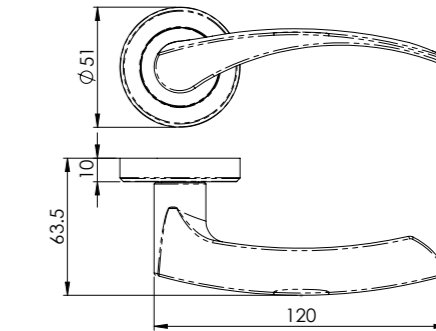
ZIN3111
Nelson

CP SC



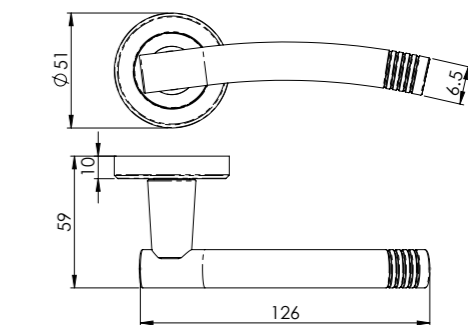
ZIN3112
Olivier

AB CP MB SC



ZIN3115
Carolina

CP SC

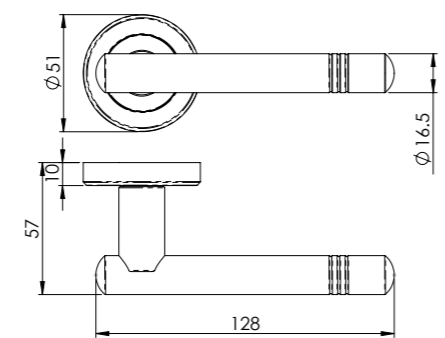


SZM370

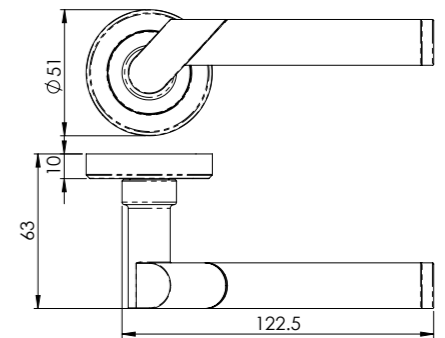




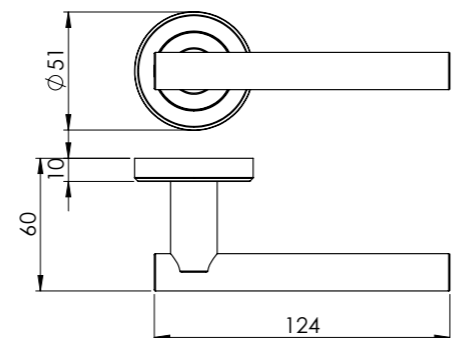
ZIN3116
Atalaya
CP SC



ZIN3139
Irwin
CPSC



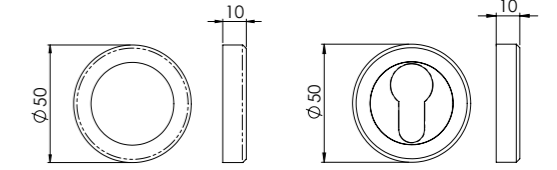
ZIN3121
Philadelphia
AB CP MB SC



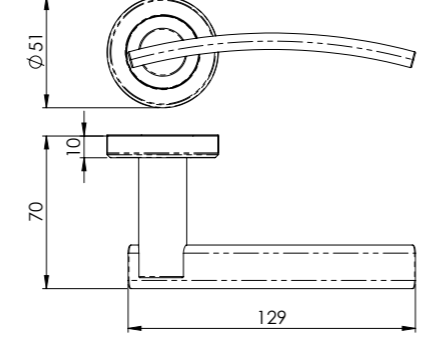
SZM000
Blank Escutcheon
CP SC



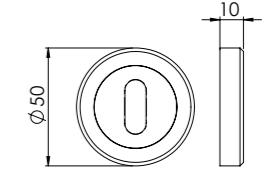
SZM001
Euro Escutcheon
AB BN CP MB PVD SC



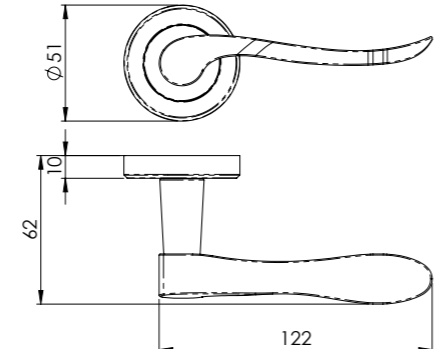
ZIN3129
Cumulus
CPSC



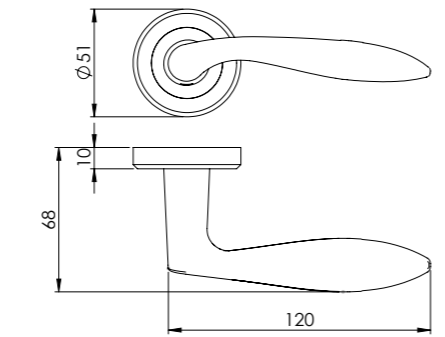
SZM003
Lock Escutcheon
AB BN CP MB PVD SC



ZIN3130
Verdun
AB CP MB SC



ZIN3131
Shark
CP SC

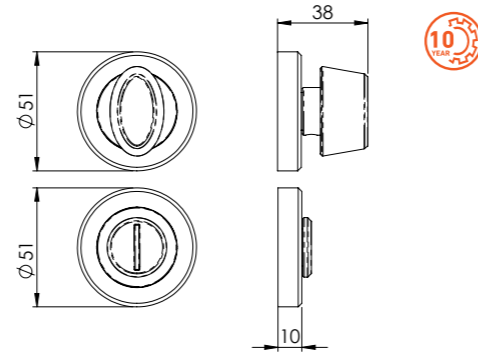


ZIN3130AB



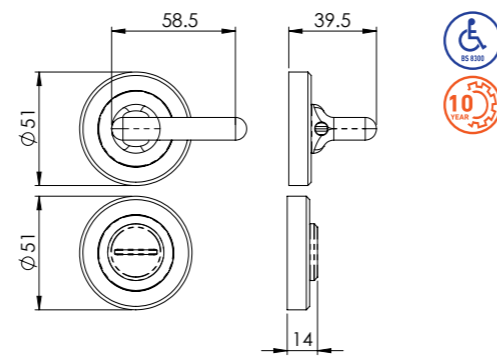
SZM004
Thumbturn & Release

- AB
- BN
- CP
- MB
- SC



SZ5004
Thumbturn & Release

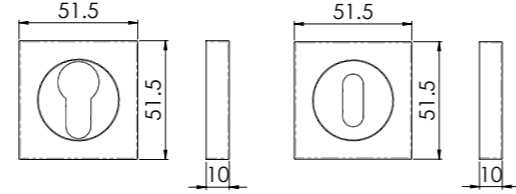
- CP
- PVD
- SC



SZM001SQ
Square Euro Escutcheon

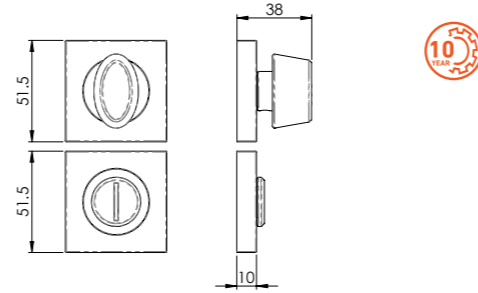
SZM003SQ
Square Lock Escutcheon

- AB
- BN
- CP
- MB
- SC



SZM004SQ
Square Thumbturn & Release

- AB
- BN
- CP
- MB
- SC



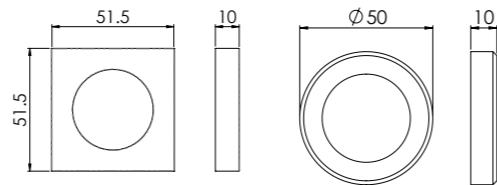
CONVERT FROM ROUND ROSE TO SQUARE ROSE AND VICE VERSA USING OUR ROSE PACKS.



SZMRSQ
Square Rose Pack

SZMR
Round Rose Pack

- AB
- CP
- MB
- SC



SZM045
Scope on Latch Backplate

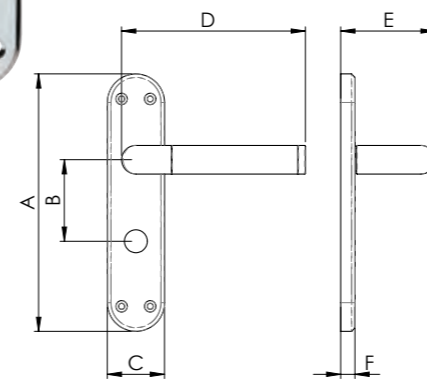
- CP
- CPSN

SZM044
Lock

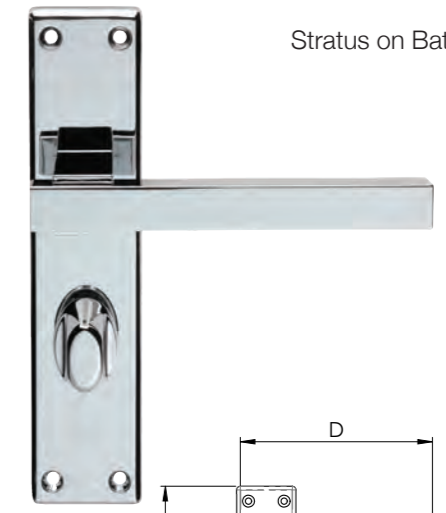
SZM046
Bathroom

- CP

SZM044YCP
Euro



	A	B	C	D	E	F
SZM044	180	57	40	128	63	10
SZM044Y	180	47.5	40	128	63	10
SZM045	180	-	40	128	63	10
SZM046	180	57	40	128	63	10



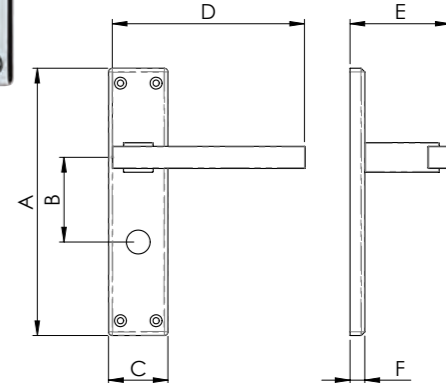
SZM243
Stratus on Bathroom Backplate

- CP

SZM241
Lock

SZM241Y
Euro

SZM242
Latch



	A	B	C	D	E	F
SZM241	180	57	40	130	68	10
SZM241Y	180	47.5	40	130	68	10
SZM242	180	-	40	130	68	10
SZM243	180	57	40	130	68	10



SZM242CP



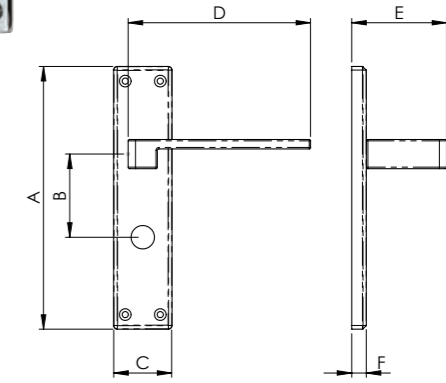
SZM371
Equi on Lock Profile Backplate

- CP
- SC

SZM371Y
Euro

SZM372
Latch

SZM373
Bathroom



	A	B	C	D	E	F
SZM371	180	57	40	130	68	10
SZM371Y	180	47.5	40	130	68	10
SZM372	180	-	40	130	68	10
SZM373	180	57	40	130	68	10

SEROZZETTA

SZC Range

 Face-fix levers on backplate

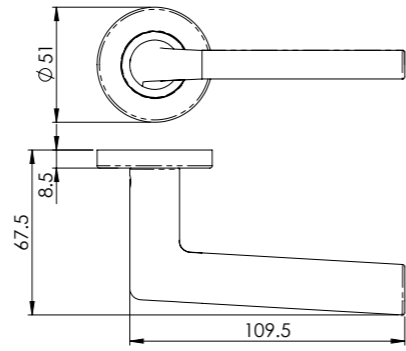
 Levers on push-on rose

 Zinc lever range

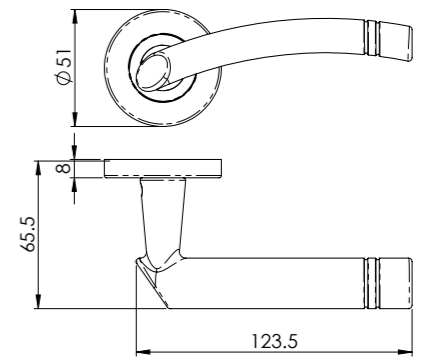




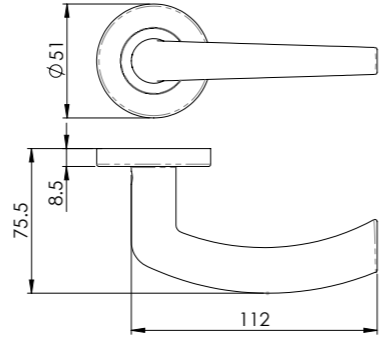
SZC010
Uno
CP SC



SZC340
Cuarenta
CP SC



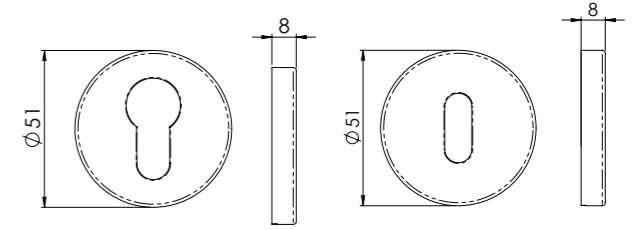
SZC020
Dos
CP SC



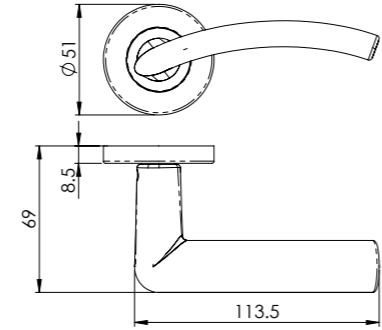
SZC001
Euro
Escutcheon

SZC003
Lock
Escutcheon

CP SC

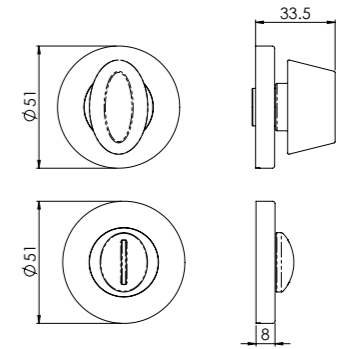


SZC030
Tres
CP SC

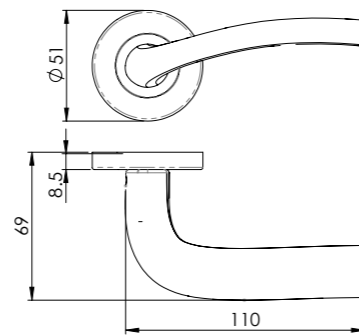


SZC004
Thumbturn & Release
CP SC

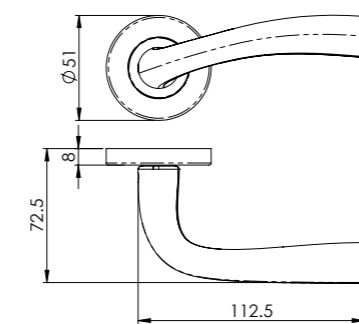
CP SC



SZC040
Cuatro
CP



SZC050
Cinco
CP



SZC010CP



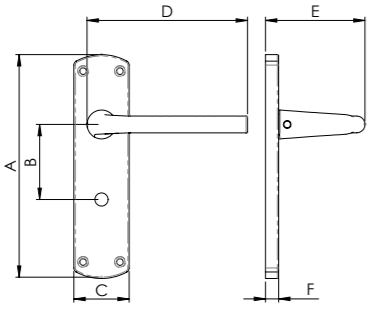
SZC011Y
Uno on Euro Backplate

CP SC

SZC011
Lock

SZC012
Latch

SZC013
Bathroom



	A	B	C	D	E	F
SZC011	170	57	41.5	110	69	10
SZC011Y	170	47.5	41.5	110	69	10
SZC012	170	-	41.5	110	69	10
SZC013	170	57	41.5	110	69	10



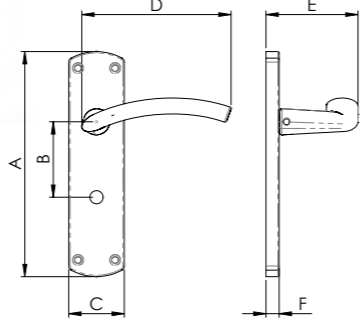
SZC031
Tres on Lock Backplate

CP SC

SZC031Y
Euro

SZC032
Latch

SZC033
Bathroom



	A	B	C	D	E	F
SZC031	170	57	41.5	113	69	10
SZC031Y	170	47.5	41.5	113	69	10
SZC032	170	-	41.5	113	69	10
SZC033	170	57	41.5	113	69	10



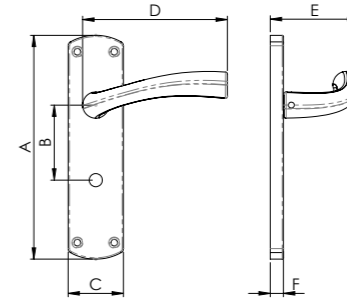
SZC053
Cinco on Bathroom Backplate

CP SC

SZC051
Lock

SZC051Y
Euro

SZC052
Latch



	A	B	C	D	E	F
SZC051	170	57	41.5	110	68.5	10
SZC051Y	170	47.5	41.5	110	68.5	10
SZC052	170	-	41.5	110	68.5	10
SZC053	170	57	41.5	110	68.5	10



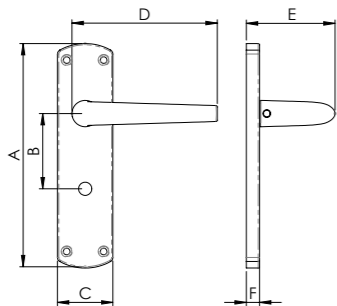
SZC023
Dos on Bathroom Backplate

CP SC

SZC021
Lock

SZC021Y
Euro

SZC022
Latch



	A	B	C	D	E	F
SZC021	170	57	41.5	112.5	75.5	10
SZC021Y	170	47.5	41.5	112.5	75.5	10
SZC022	170	-	41.5	112.5	75.5	10
SZC023	170	57	41.5	112.5	75.5	10



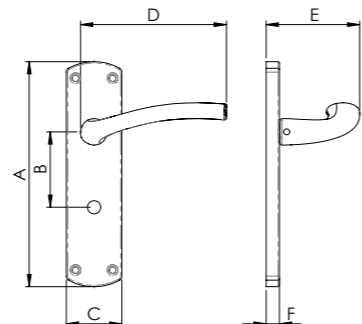
SZC042
Cuatro on Latch Backplate

CP SC

SZC041
Lock

SZC041Y
Euro

SZC043
Bathroom






	A	B	C	D	E	F
SZC041	170	57	41.5	110	69	10
SZC041Y	170	47.5	41.5	110	69	10
SZC042	170	-	41.5	110	69	10
SZC043	170	57	41.5	110	69	10



SZC042SC

SEROZZETTA

SZR Range

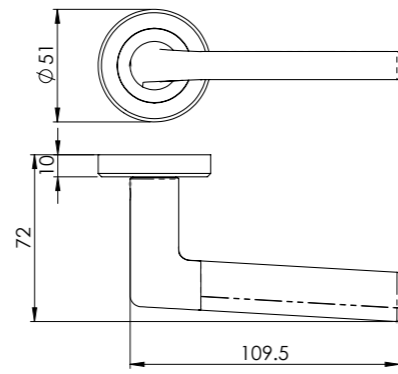
-  Levers on screw-on round rose
-  Aluminium cast levers
-  Levers on oversized backplate to cover previous fixing points



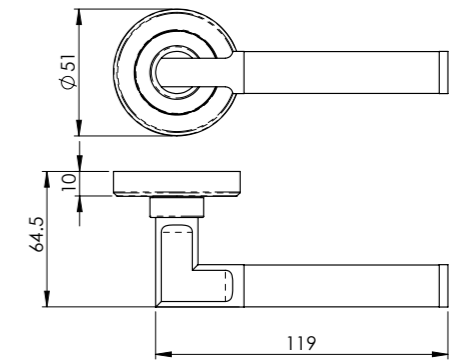


New

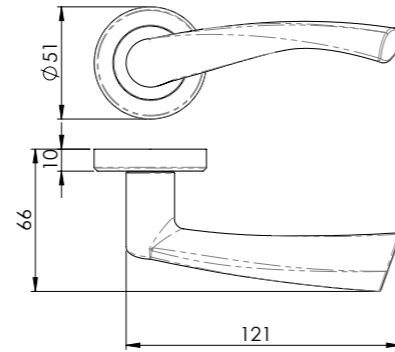
SZR010
Dieci
New
MB PN SN



SZR060
Sessanta
PNSN



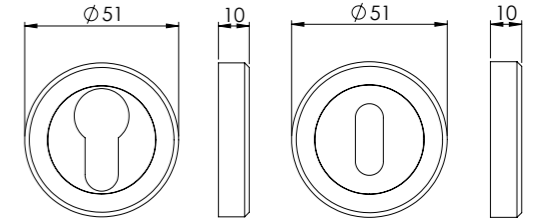
SZR020
Venti
New
MB PN SN



SZR001
Euro Escutcheon
PN SN

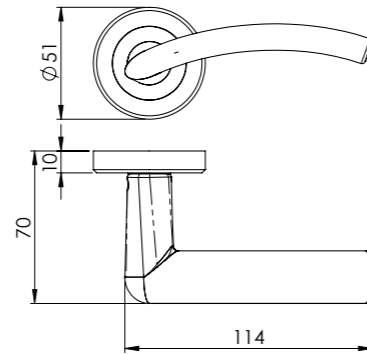


SZR002
Lock Escutcheon
PN SN

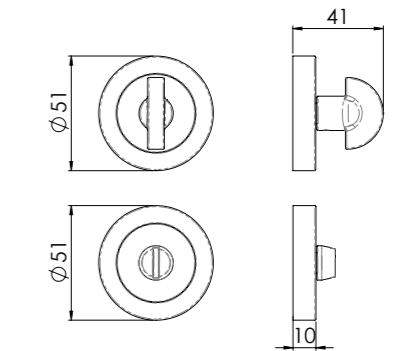


New

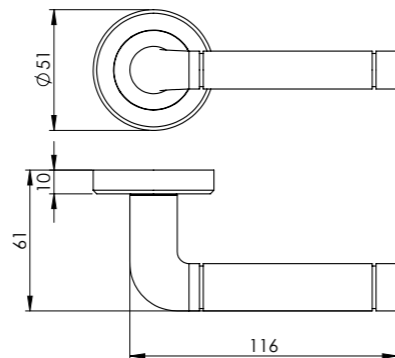
SZR030
Trenta
New
MB PN SN



SZR004
Thumbturn & Release
PN SN



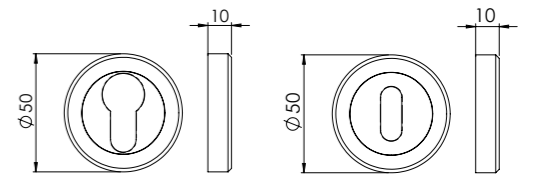
SZR040
Quaranta
PNSN



SZM001
Euro Escutcheon
AB BN CP MB PVD SC

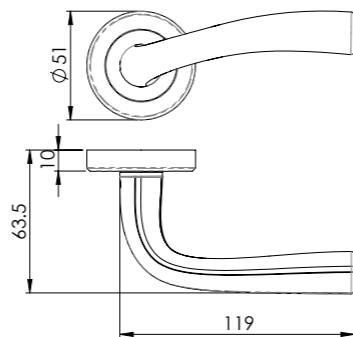


SZM003
Lock Escutcheon
AB BN CP MB PVD SC

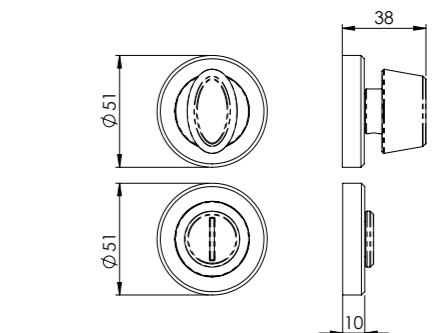


New

SZR050
Cinquanta
New
MB PN SN



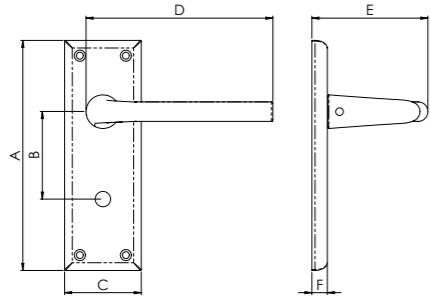
SZM004
Thumbturn & Release
AB BN CP MB SC





SZR013
Dieci on Bathroom Backplate

- PN ● SN
- SZR011**
Lock
- SZR011Y**
Euro
- SZR012**
Latch

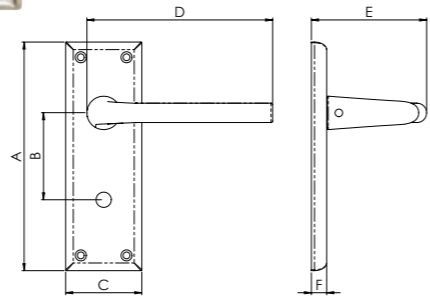


	A	B	C	D	E	F
SZR011	150	57	50	109.5	72	10
SZR011Y	150	47.5	50	109.5	72	10
SZR012	150	-	50	109.5	72	10
SZR013	150	57	50	109.5	72	10



SZR031
Trenta on Lock Backplate

- PN ● SN
- SZR031Y**
Euro
- SZR032**
Latch
- SZR033**
Bathroom

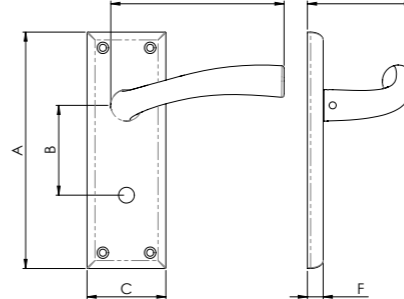


	A	B	C	D	E	F
SZR031	150	57	50	114	70	10
SZR031Y	150	47.5	50	114	70	10
SZR032	150	-	50	114	70	10
SZR033	150	57	50	114	70	10



SZR052
Cinquanta on Latch Backplate

- PN ● SN
- SZR051**
Lock
- SZR051Y**
Euro
- SZR053**
Bathroom

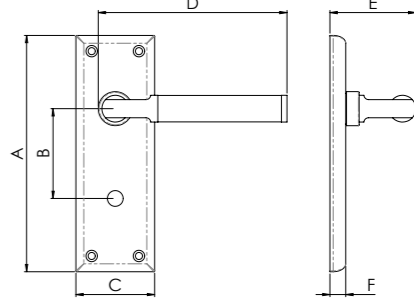


	A	B	C	D	E	F
SZR051	150	57	50	119	63.5	10
SZR051Y	150	47.5	50	119	63.5	10
SZR052	150	-	50	119	63.5	10
SZR053	150	57	50	119	63.5	10



SZR063
Sessanta on Bathroom Backplate

- PNSN
- SZR061**
Lock
- SZR061Y**
Euro
- SZR062**
Latch

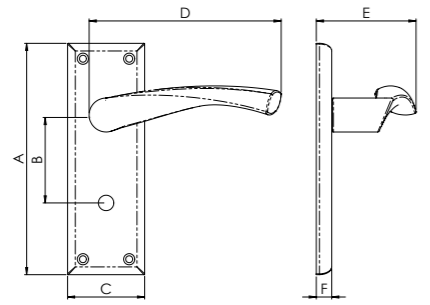


	A	B	C	D	E	F
SZR061	150	57	50	119	63.5	10
SZR061Y	150	47.5	50	119	63.5	10
SZR062	150	-	50	119	63.5	10
SZR063	150	57	50	119	63.5	10



SZR022
Venti on Latch Backplate

- New
- MB ● PN ● SN
- SZR021**
Lock
- SZR021Y**
Euro
- SZR023**
Bathroom

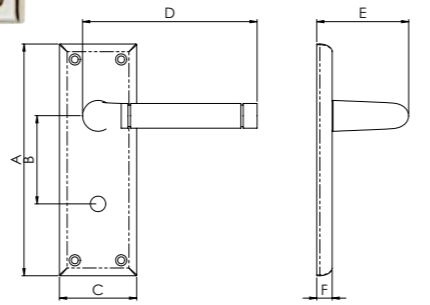


	A	B	C	D	E	F
SZR021	150	57	50	121	66	10
SZR021Y	150	47.5	50	121	66	10
SZR022	150	-	50	121	66	10
SZR023	150	57	50	121	66	10



SZR041Y
Quaranta on Euro Backplate

- PNSN
- SZR041**
Lock
- SZR042**
Latch
- SZR043**
Bathroom



	A	B	C	D	E	F
SZR041	150	57	50	116	60	10
SZR041Y	150	47.5	50	116	60	10
SZR042	150	-	50	116	60	10
SZR043	150	57	50	116	60	10



CARLISLE BRASS

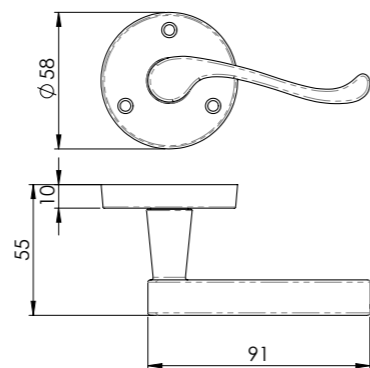
Traditional Handles

- © Elegant and versatile traditional brass style levers
- © Perfectly suited to period properties
- © A full range of accessories to match
- © Levers on backplate and levers on rose
- © Our much loved range still delights our customers

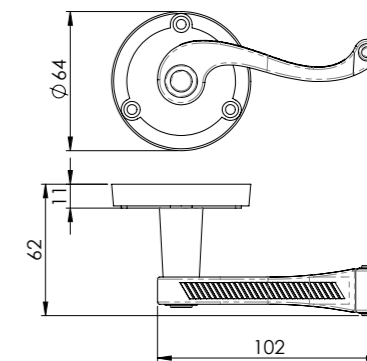




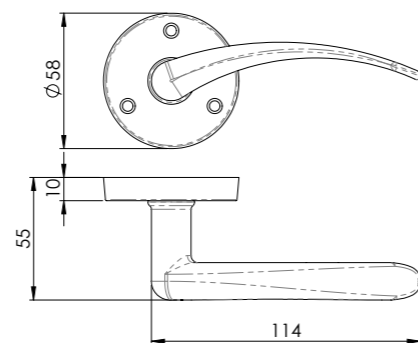
DL56
Victorian Scroll
CP PB SC



FG3
Georgian
PB



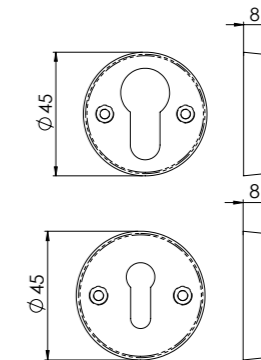
DL66
Wing
CP SC



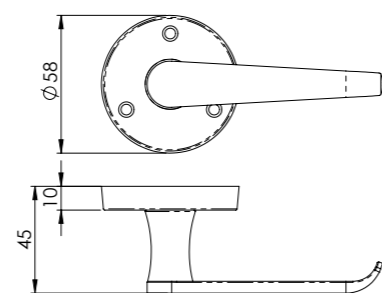
AA145
Euro Escutcheon
CP DB PB SC SN



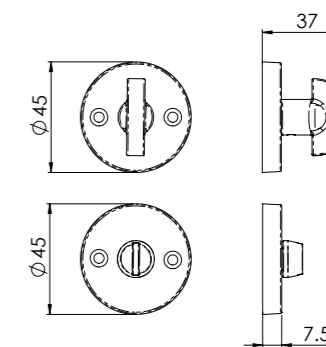
AA345
Lock Escutcheon
SC SN



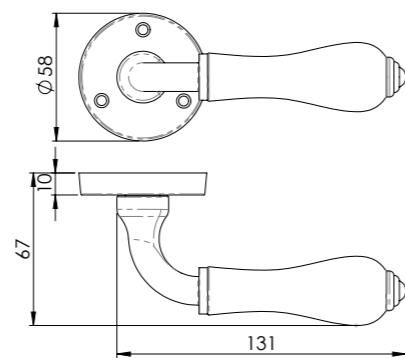
M32
Victorian
CP PB



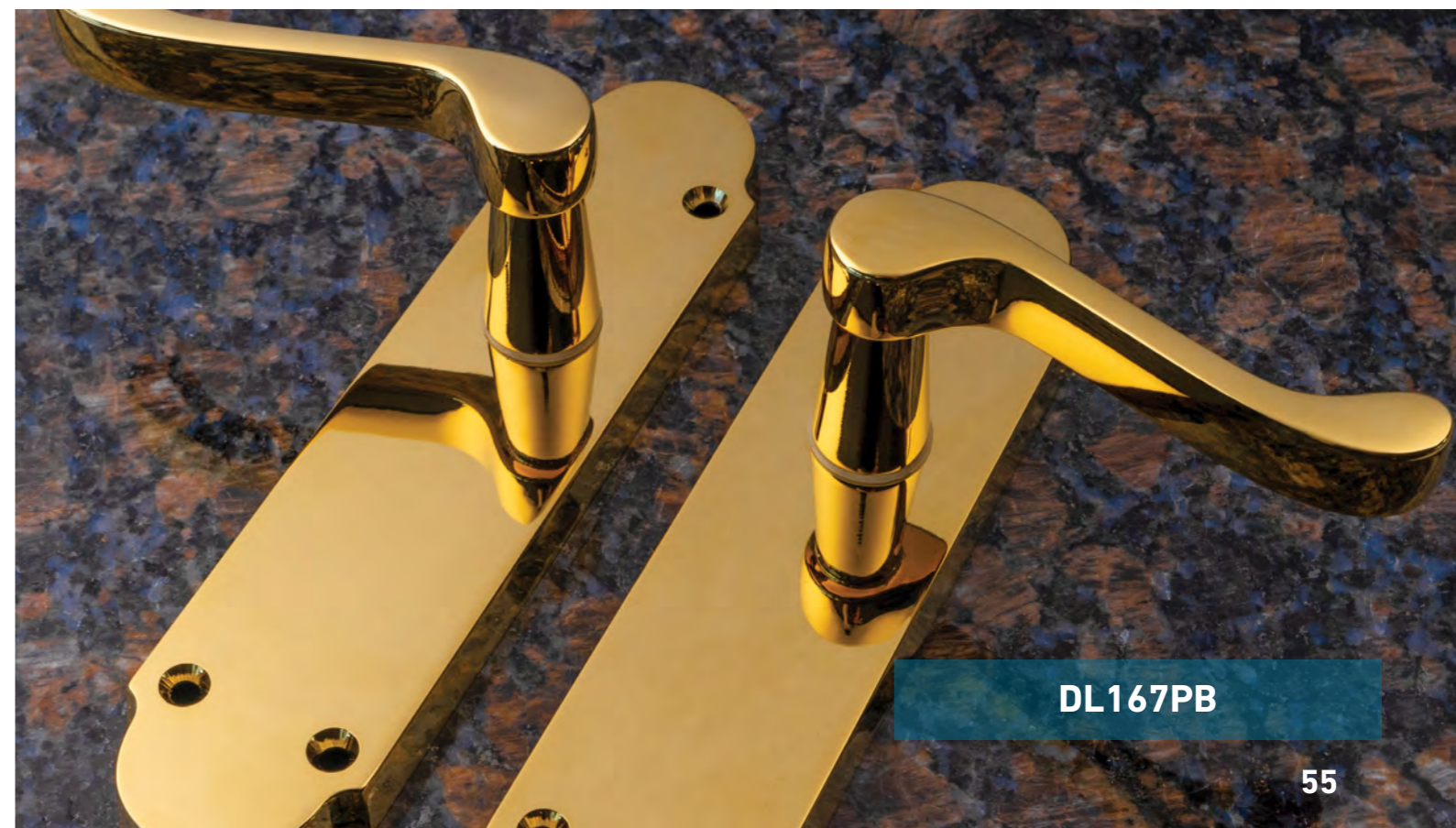
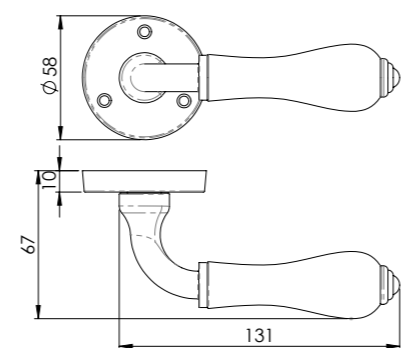
B12
Thumbturn & Release
CP PB SC SN




PLW
Porcelain
PLW



PLWCP
Porcelain
PLWCP



DL167PB



DL54
Victorian Scroll on Lock Profile Backplate

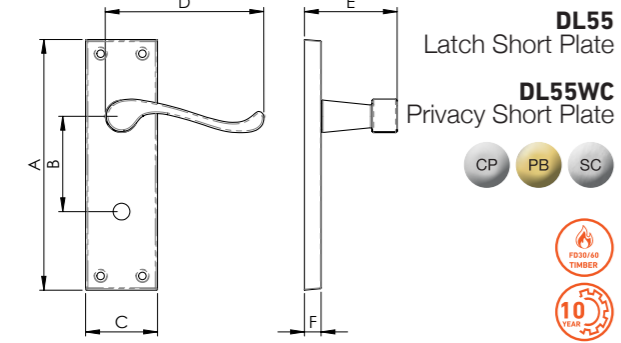
DL54WC
Bathroom

DL54Y
Euro

CP PB SC

DL54S
Sweedor Latch

PB



	A	B	C	D	E	F
DL54	150	57	42	95	55	10
DL54WC	150	57	42	95	55	10
DL54Y	150	47.5	42	95	55	10
DL54S	150	-	42	95	55	10
DL55	118	-	42	95	55	10
DL55WC	118	40	42	95	55	10



DL30
Victorian Ascot on Lock Profile Backplate Heavy

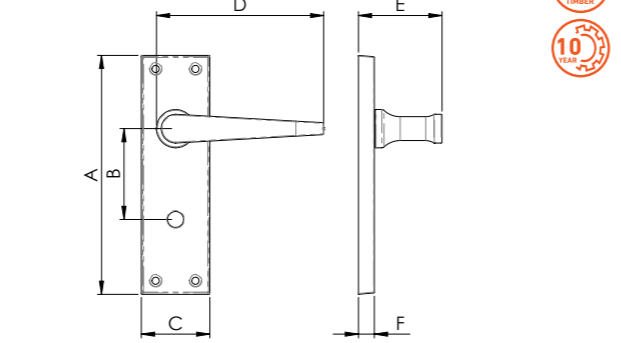
CP PB

DL30WC
Bathroom


DL31
Latch Short Plate

F030/40
TIMBER

10 YEAR



	A	B	C	D	E	F
DL30	150	57	43	102	52	10
DL30WC	150	57	43	102	52	10
DL31	118	-	43	102	52	10



DL167
Oakley on Latch Backplate

CP PB PVD SC

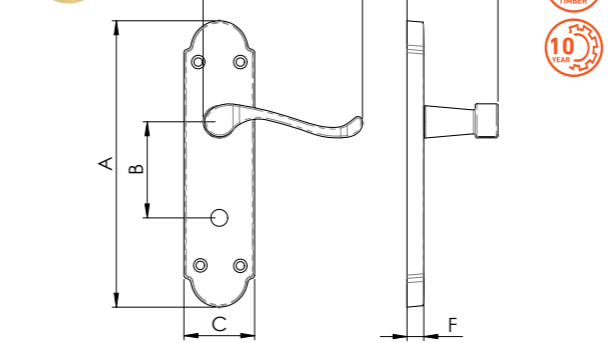
DL168
Lock

DL168WC
Bathroom

DL168Y
Euro

F030/40
TIMBER

10 YEAR



	A	B	C	D	E	F
DL167	170	-	42	92	56	10
DL168	170	57	42	92	56	10
DL168WC	170	57	42	92	56	10
DL168Y	170	47.5	42	92	56	10



M68
Victorian Shaped Scroll on Lock Profile Backplate

CP PB SC

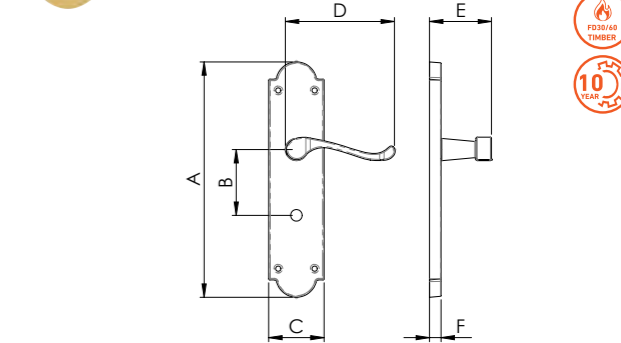
M68WC
Bathroom

M67
Latch

M68Y
Euro

F030/40
TIMBER

10 YEAR



	A	B	C	D	E	F
M67	205	-	49	95	49	8
M68	205	57	49	95	49	8
M68WC	205	57	49	95	49	8
M68Y	205	47.5	49	95	49	8



DL64
Wing on Lock Profile Backplate

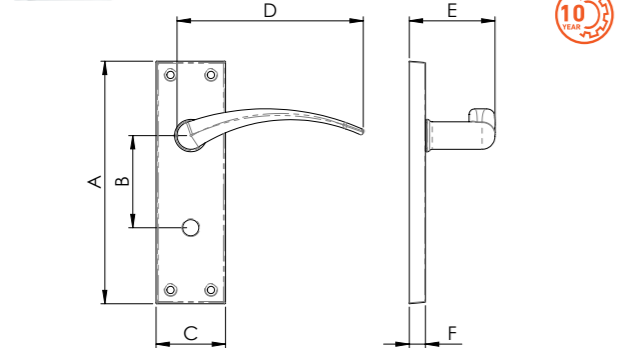
CP SC

DL64WC
Bathroom

DL65
Latch

F030/40
TIMBER

10 YEAR



	A	B	C	D	E	F
DL64	150	57	43	116	55	10
DL64WC	150	57	43	116	55	10
DL65	150	-	43	116	55	10



M30
Victorian on Lock Profile Backplate

CP PB SC

M30Y
Euro

M30WC
Bathroom

M31
Short Plate Latch

M31WC
Short Plate Privacy

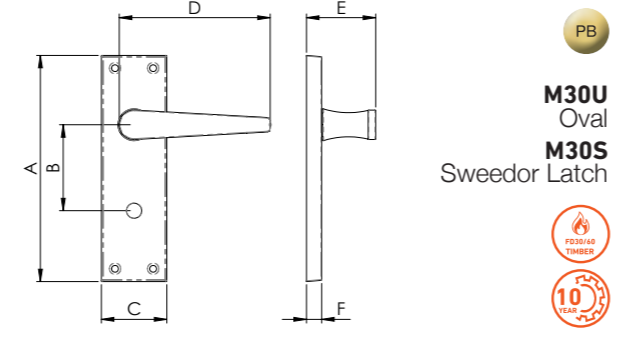
PB

M30U
Oval


M30S
Sweedor Latch

F030/40
TIMBER

10 YEAR



	A	B	C	D	E	F
M30	150	57	42	100	44	10
M30U	150	48.5	42	100	44	10
M30Y	150	47.5	42	100	44	10
M30WC	150	57	42	100	44	10
M30S	150	-	42	100	44	10
M31	118	-	42	100	44	10
M31WC	118	40	42	100	44	10



DL18
Ashtead on Latch Backplate

DL17Y
Euro

DL18WC
Bathroom

CP PB

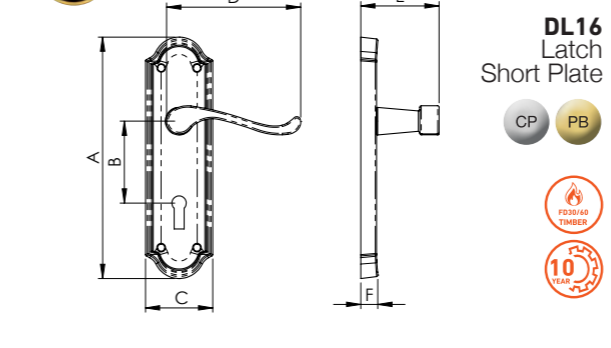
DL17
Lock

DL16
Latch Short Plate

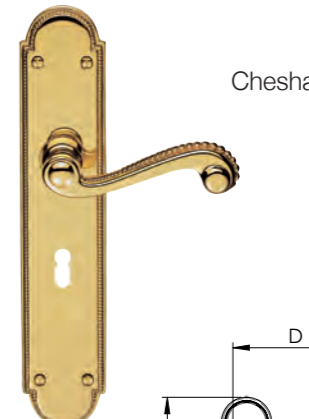
CP PB

F030/40
TIMBER

10 YEAR



	A	B	C	D	E	F
DL16	112	-	48	93	56	13
DL17	168	57	48	93	56	13
DL17Y	168	47.5	48	93	56	13
DL18	168	-	48	93	56	13
DL18WC	168	57	48	93	56	13



DL271
Chesham on Lock Profile Backplate

PB

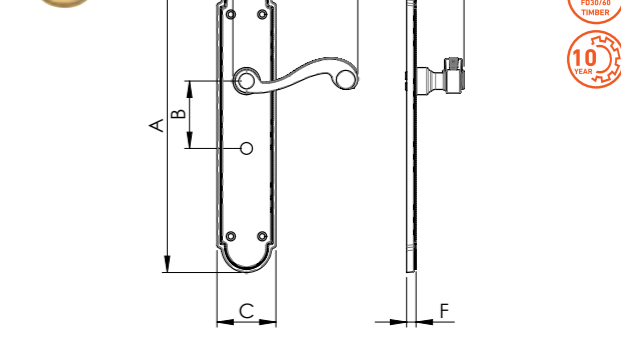
DL270
Latch

DL272
Bathroom

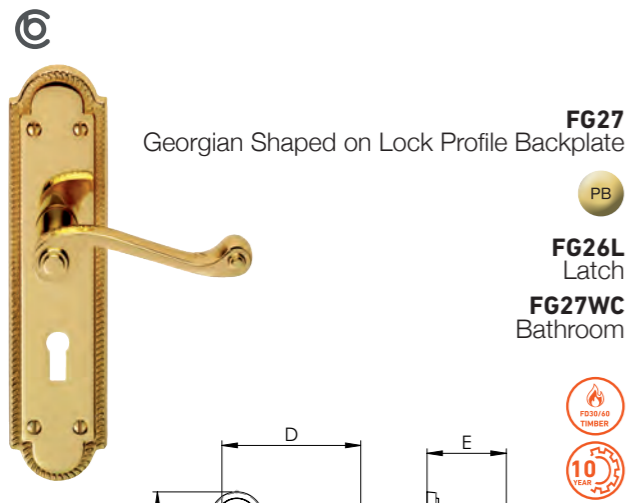
DL271Y
Euro

F030/40
TIMBER

10 YEAR



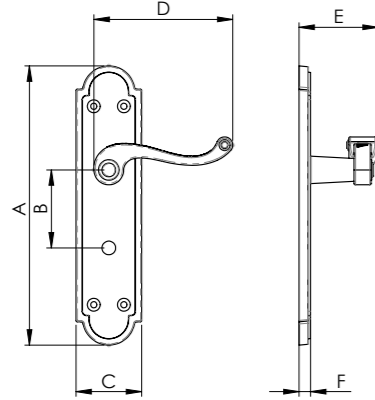
	A	B	C	D	E	F
DL270	250	-	50	108	54	6.5
DL271	250	57	50	108	54	6.5
DL271Y	250	47.5	50	108	54	6.5
DL272	250	57	50	108	54	6.5



FG27
Georgian Shaped on Lock Profile Backplate

PB

FG26L
Latch
FG27WC
Bathroom



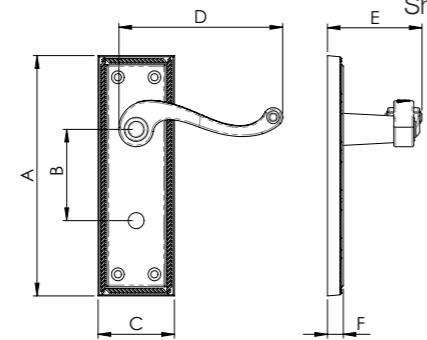
	A	B	C	D	E	F
FG26L	205	-	49	102	60	9
FG27	205	57	49	102	60	9
FG27WC	205	57	49	102	60	9



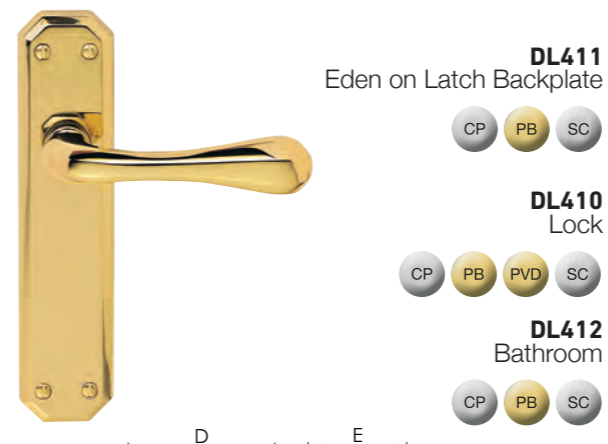
FG1
Georgian on Lock Profile Backplate

PB

FG1Y
Euro
FG1WC
Bathroom
FG1S
Sweedor
FG2
Short Plate Latch
FG2WC
Short Plate Privacy



	A	B	C	D	E	F
FG1	150	57	48	102	62	10
FG1Y	150	47.5	48	102	62	10
FG1WC	150	57	48	102	62	10
FG1S	150	-	48	102	62	10
FG2	112	-	48	102	62	10
FG2WC	112	40	48	102	62	10

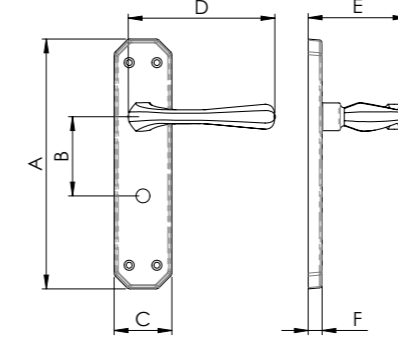


DL411
Eden on Latch Backplate

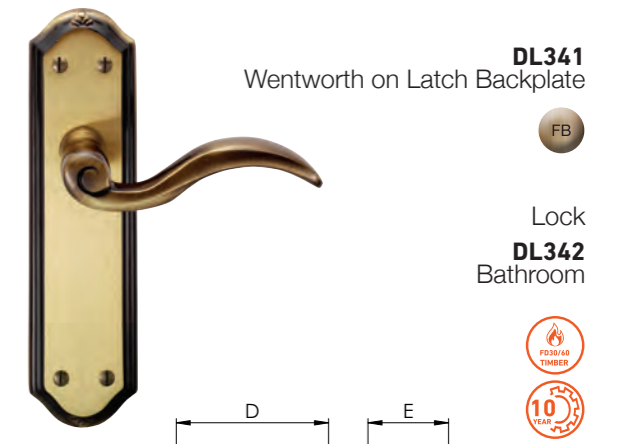
CP PB SC

DL410
Lock
CP PB PVD SC

DL412
Bathroom
CP PB SC



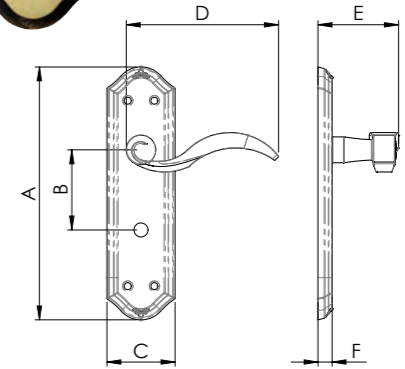
	A	B	C	D	E	F
DL410	180	57	41.5	108	73	11
DL411	180	-	41.5	108	73	11
DL412	180	57	41.5	108	73	11



DL341
Wentworth on Latch Backplate

FB

Lock
DL342
Bathroom



	A	B	C	D	E	F
DL340	180	57	48	107	58	10
DL341	180	-	48	107	58	10
DL342	180	57	48	107	58	10



DL181
Andros on Latch Backplate

CP PB SC

DL180
Lock

DL182
Bathroom

CP PB SC

DL180Y
Euro

CP SC

DL380
Long Plate Lock

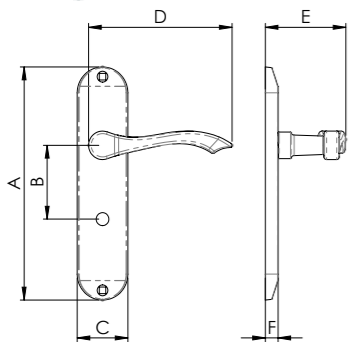
DL380Y
Long Plate Euro

CP PB SC

DL381
Long Plate Latch

DL382
Long Plate Bathroom

CP SC



	A	B	C	D	E	F
DL180	180	57	40	115	64	10
DL180Y	180	47.5	40	115	64	10
DL181	180	-	40	115	64	10
DL182	180	57	40	115	64	10
DL380	241	57	40	115	64	10
DL380Y	241	47.5	40	115	64	10
DL381	241	-	40	115	64	10
DL382	241	57	40	115	64	10



DL191
Madrid on Latch Backplate

CP FB PB SC

DL190
Lock

DL192
Bathroom

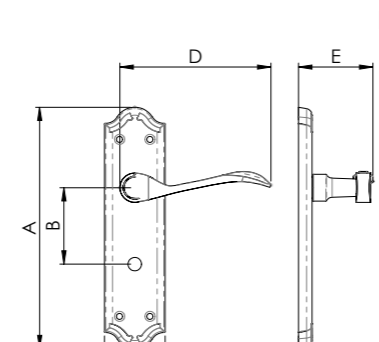
CP FB PB SC

DL290
Long Plate Lock

DL291
Long Plate Latch

DL292
Long Plate Bathroom

CP



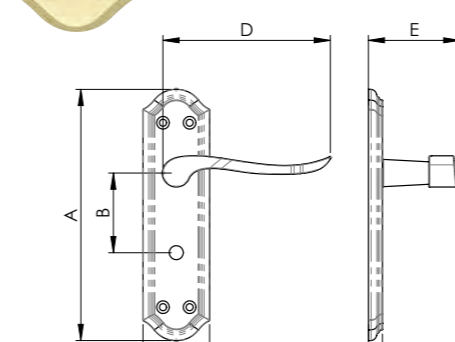
	A	B	C	D	E	F
DL190	180	57	45	112	45	10
DL191	180	-	45	112	45	10
DL192	180	57	45	112	45	10
DL290	245	57	45	112	45	10
DL291	245	-	45	112	45	10
DL292	245	57	45	112	45	10



DL450
Lytham Lock Lever on Backplate

FB SB/PB SCCP

DL452
Bathroom



	A	B	C	D	E	F
DL450	180	57	48	121	64	10
DL452	180	57	48	121	64	10



PBT1SW

Euro-lite Stainless Steel Range
in Polished Brass

CARLISLE BRASS

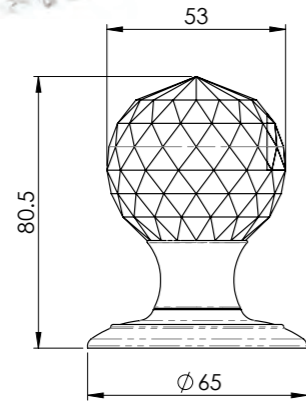
Mortice Knobs

- © Traditional and period mortice knobs ideal for modern or traditional environments
- © High quality traditional materials including solid brass, wood and porcelain
- © Attractive, timeless designs to give that classic finishing touch



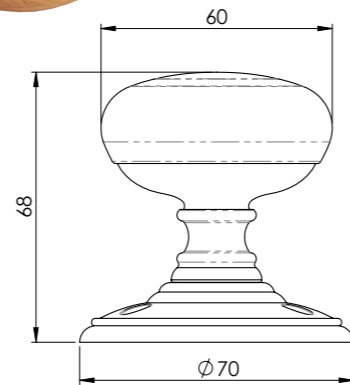


AC020
Facetted Crystal Knob
Concealed Fix
Unsprung



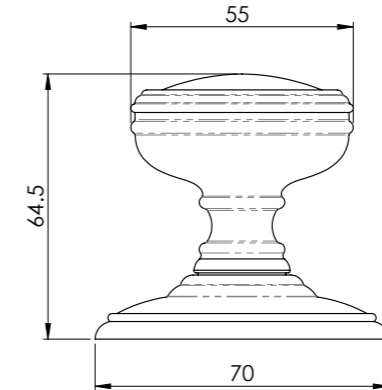
We recommend using the TLS range of latch with unsprung knobs page 348

DK32W0SC
Wooden Knob
Face Fix
Unsprung



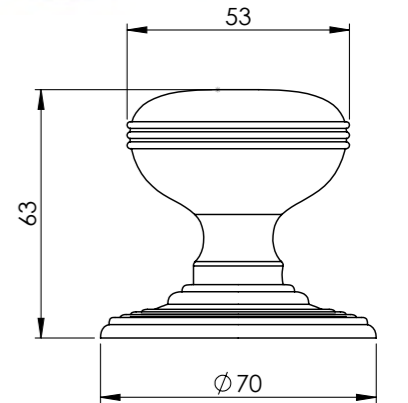
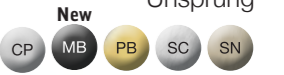
We recommend using the TLS range of latch with unsprung knobs page 348

DK35C
Plain Knob
Concealed Fix
Unsprung



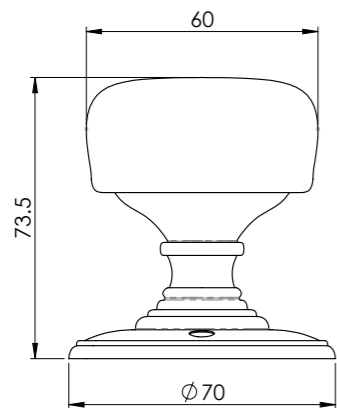
We recommend using the TLS range of latch with unsprung knobs page 348

DK39C
Ringed Knob
Concealed Fix
Unsprung



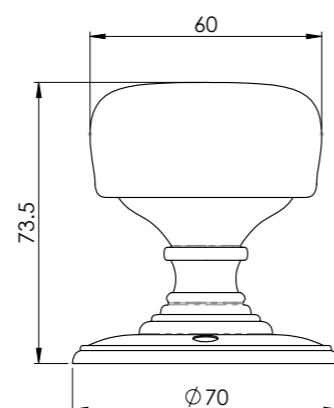
We recommend using the TLS range of latch with unsprung knobs page 348

DK34
Porcelain Knob
Face Fix
Unsprung



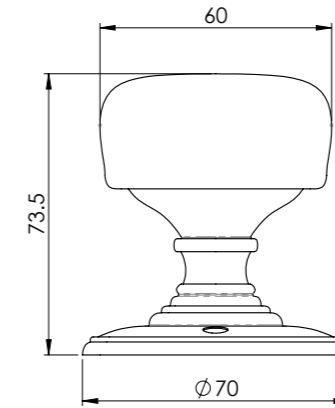
We recommend using the TLS range of latch with unsprung knobs page 348

DK34ICFB
Porcelain Knob
Face Fix
Unsprung



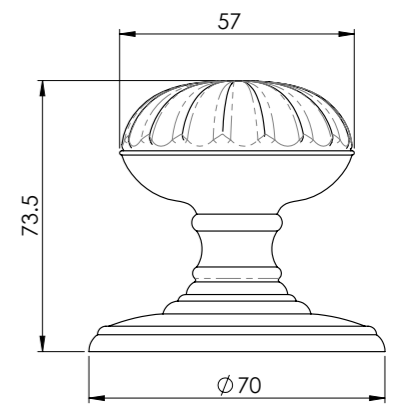
We recommend using the TLS range of latch with unsprung knobs page 348

DK34
Porcelain Knob
Face Fix
Unsprung



We recommend using the TLS range of latch with unsprung knobs page 348

DK36C
Flower Knob
Concealed Fix
Unsprung

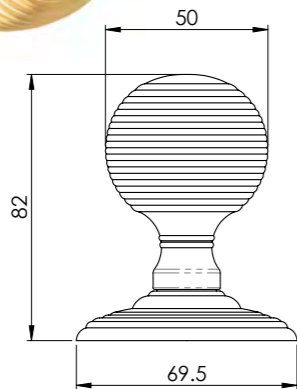


We recommend using the TLS range of latch with unsprung knobs page 348



DK37C
Reeded Knob
Concealed Fix
Unsprung

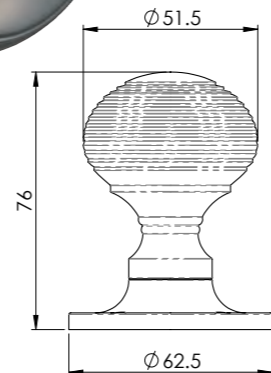
- New
- CP
 - FB
 - MB
 - PB
 - SC
 - SN



We recommend using the TLS range of latch with unsprung knobs page 348

M1001
Queen Anne Mortice Knob
Unsprung

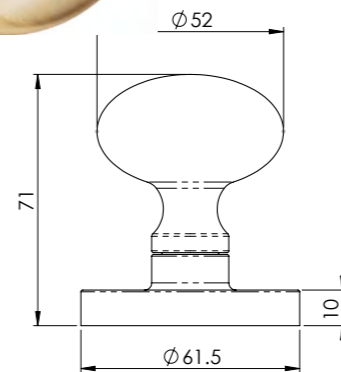
- CP
- DB
- MB
- PB
- SB
- SC



We recommend using the TLS range of latch with unsprung knobs page 348

M35
Victorian Mushroom
Mortice Knob
Solid Half Sprung

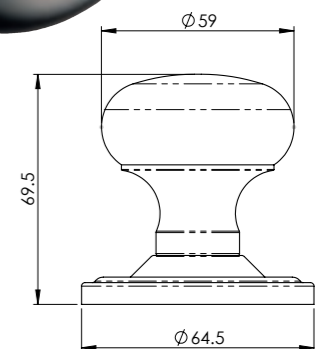
- CP
- DB
- MB
- PB
- SB
- SC
- SN



We recommend the DL range of latches for use with half-sprung knobs page 350

M35C
Mushroom
Mortice Knob
Concealed Fix
Unsprung

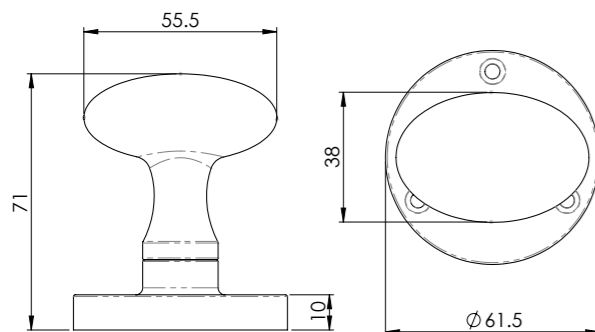
- CP
- MB
- PB
- SB
- SC



We recommend using the TLS range of latch with unsprung knobs page 348

M34
Oval Mortice Knob
Half Sprung

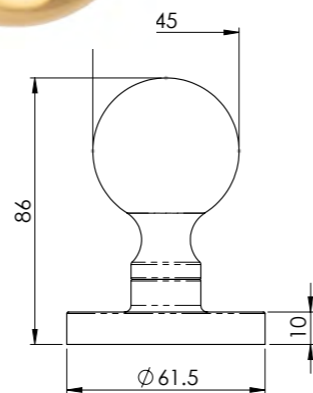
- CP
- PB
- SC



We recommend the DL range of latches for use with half-sprung knobs page 350

M48
Ball Mortice Knob
Solid Half Sprung

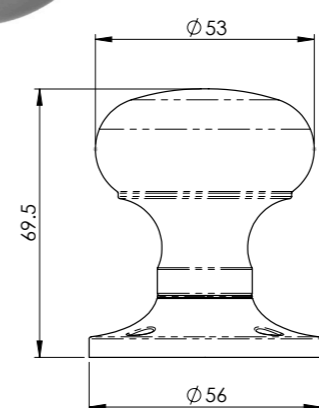
- CP
- PB
- SC



We recommend the DL range of latches for use with half-sprung knobs page 350

M35US
Mushroom
Mortice Knob
Unsprung

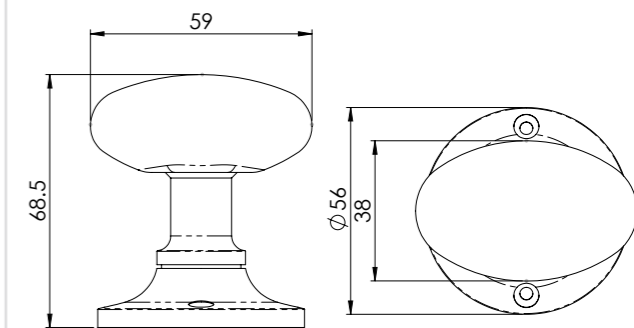
- CP
- PB
- SC



We recommend using the TLS range of latch with unsprung knobs page 348

MK001
Oval Mortice Knob
Unsprung

- CP
- SC

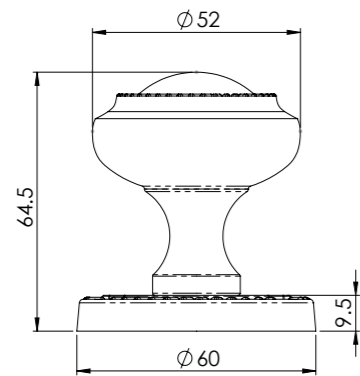


We recommend using the TLS range of latch with unsprung knobs page 348



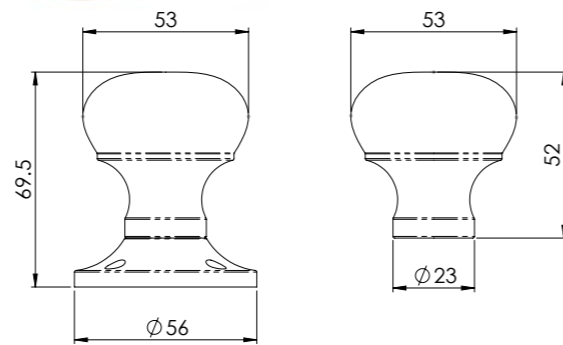


FG4
Georgian Mortice Knob
Half Sprung



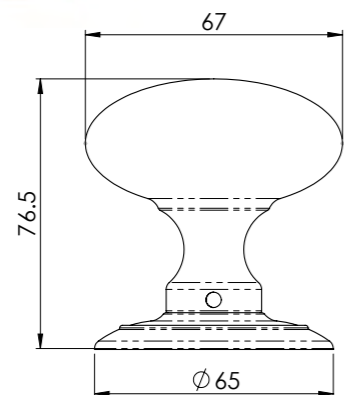
We recommend the DL range of latches for use with half-sprung knobs page 350

M35RS
Small Mushroom
Rim Knob
Unsprung



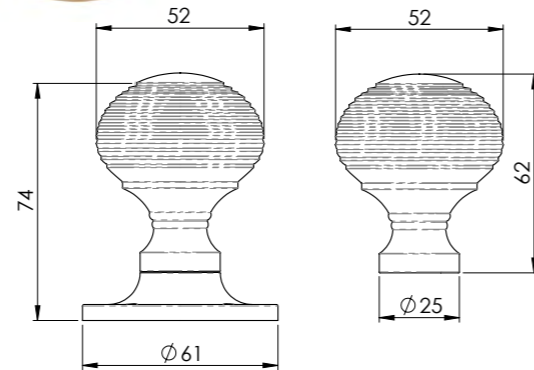
We recommend using the TLS range of latch with unsprung knobs page 348

AC050
Large Mortice Knob
Unsprung



We recommend using the TLS range of latch with unsprung knobs page 348

M1001R
Queen Anne
Rim Mortice Knob
Unsprung



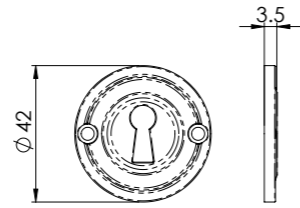
We recommend using the TLS range of latch with unsprung knobs page 348



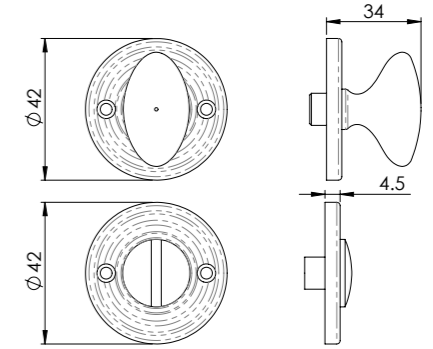
M35SB



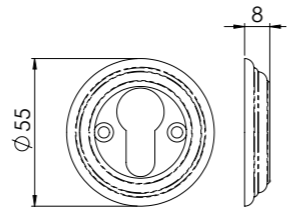
AQ41
Lock Escutcheon
CP FB MB PB PVD SB SC



AQ133
Oval Thumbturn and Release
CP PB



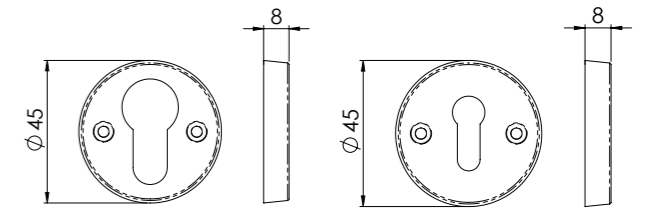
DK1
Euro Escutcheon
New
CP FB MB PB SC SN



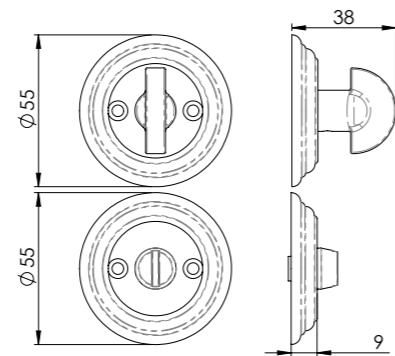
AA145
Euro Escutcheon
CP DB PB SC SN



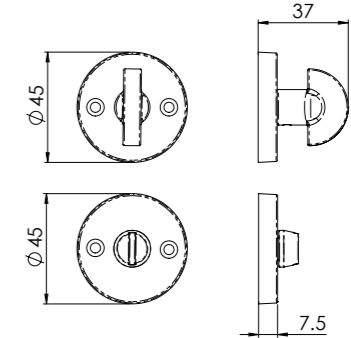
AA345
Lock Escutcheon
SC SN



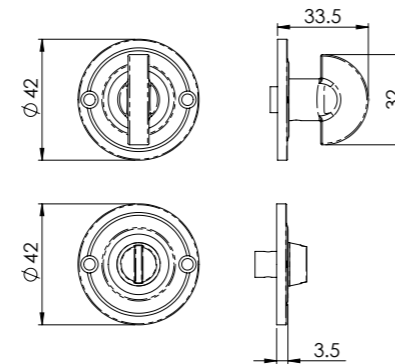
DK12
Large Thumbturn & Release
CP FB PB SC SN



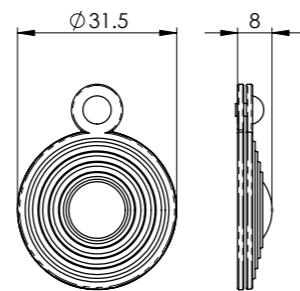
B12
Thumbturn & Release
CP PB SC SN



DK13
Small Thumbturn & Release
CP FB MB PB SB SC



M1000
Queen Anne Covered Escutcheon
CP FB PB SC



USBC Sockets
available in 8 finishes

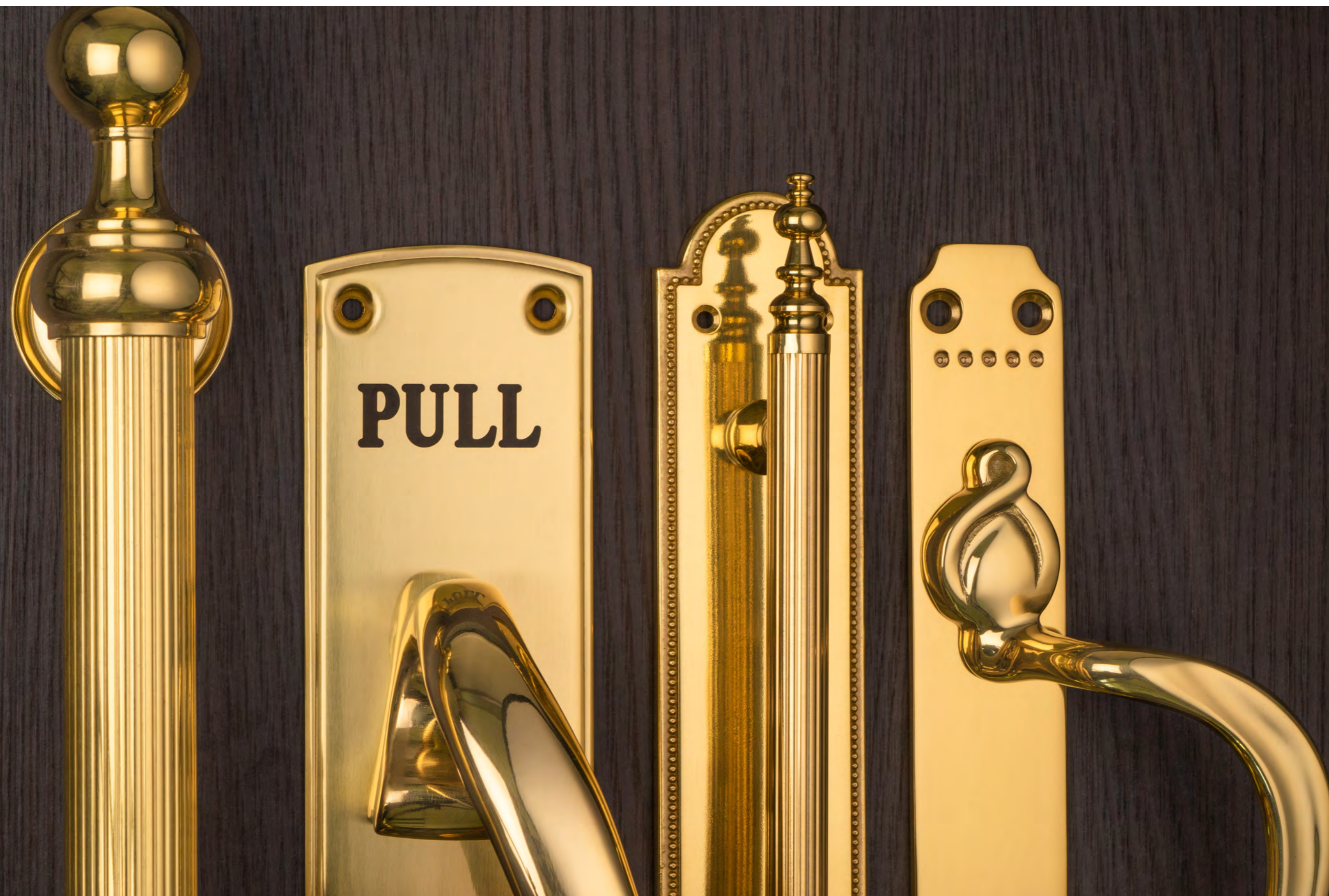


Hello,
I'm new!

CARLISLE BRASS

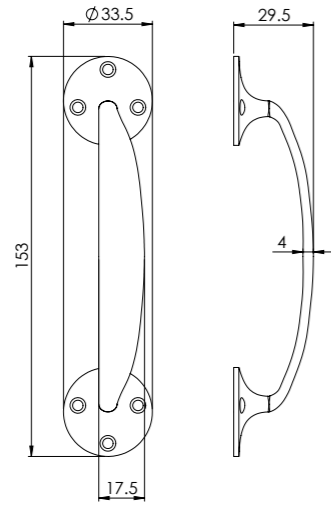
Pull Handles and Push Plates

- © Designed and made for period and public buildings
- © Varied choice of designs for modern and contemporary environments

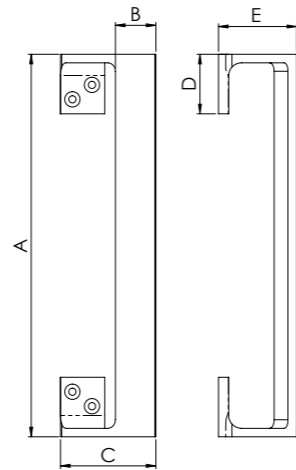




AA36
Bow Handle
CP PB SC
10 YEAR WARRANTY



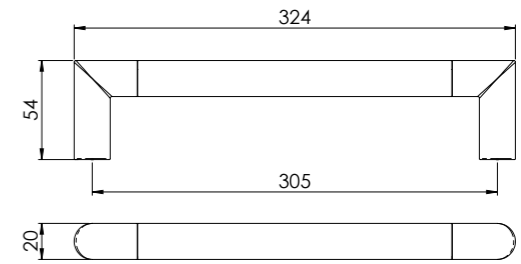
AA90
Cranked Pull Handle
CP PB
AA91
PB
10 YEAR WARRANTY



	A	B	C	D	E
AA90	225	24	54.5	34	47
AA91	302	24	62	40	47



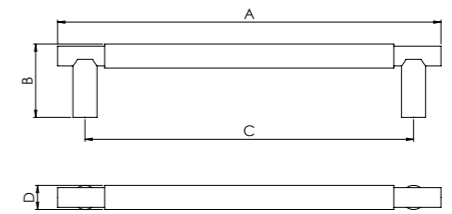
PH160B
Serozzetta Trend
CPSN



Matching Trend Lever on Rose SZM160 on page 32



EUP050
Varese Pull handle
AB MB MBRZ SB SN

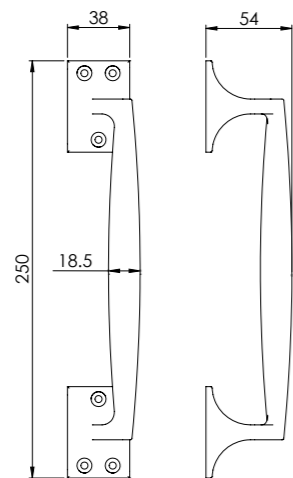


	A	B	C	D
EUP050/300	350	67	300	22
EUP050/450	500	67	450	22

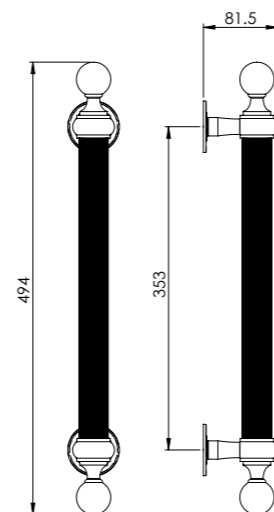
Matching Varese Lever on Rose EUL050 on page 24



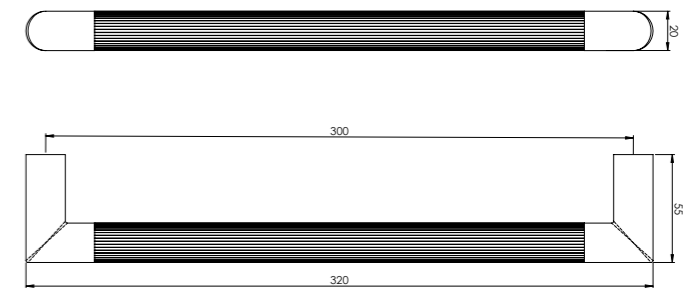
AA92
Pub Style
Pull Handle on Rose
CP PB SC
10 YEAR WARRANTY



PF108
Reeded Grip
Pull Handle on Rose
PB
10 YEAR WARRANTY



PH170
Trend Lines Pull Handle
AB MB CPSN



Matching Trend Lines Lever on Rose SZM170 on page 30

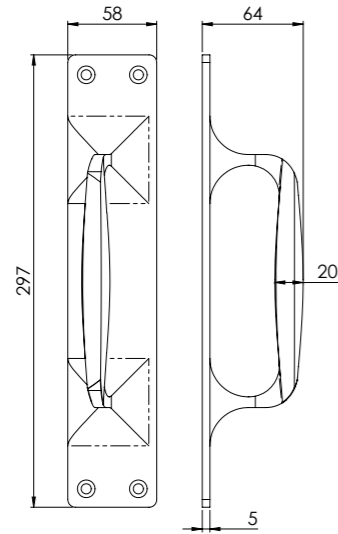
Matching Image Lines Lever on Rose SZM270 on page 30







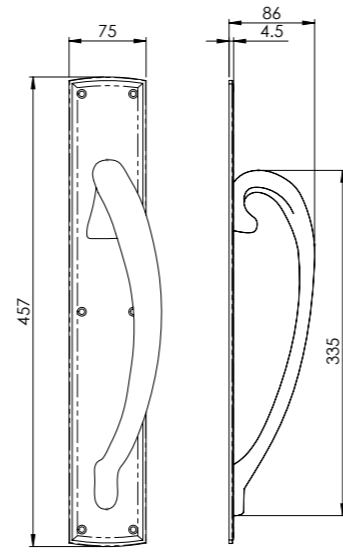
AA95
Cast Pull Handle



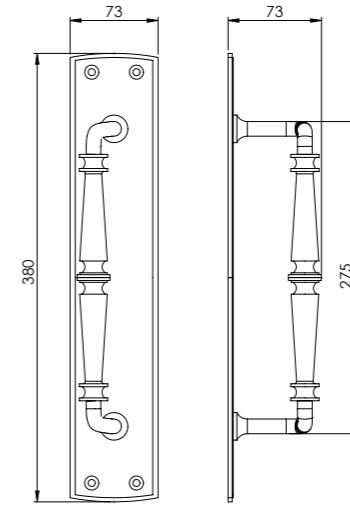
PF100R
Large Pull Handle
Right Hand



PF101L
Left Hand



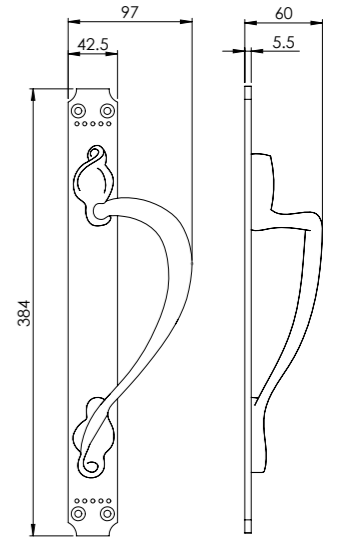
PF106
Ornate Pull Handle



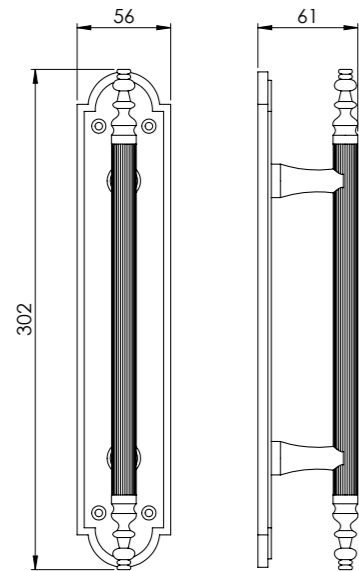
PF109AR
Laurin Pull Handle
Right Hand



PF109AL
Left Hand



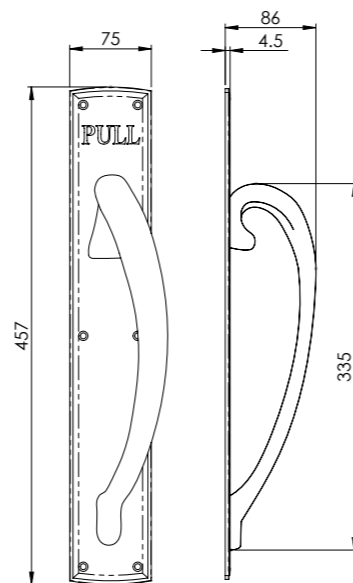
DL611
Chesham Pull Handle



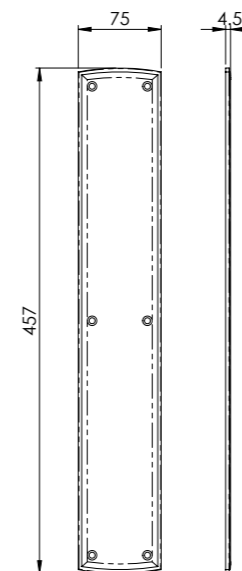
PF103ER
Engraved Large Pull Handle
Right Hand



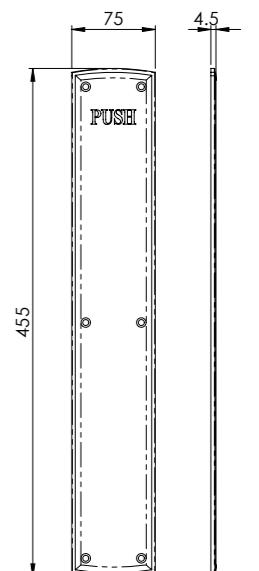
PF104EL
Left Hand



PF102
Large Push Plate

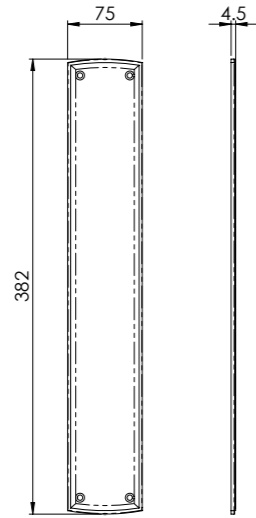


PF105E
Engraved Large Push Plate

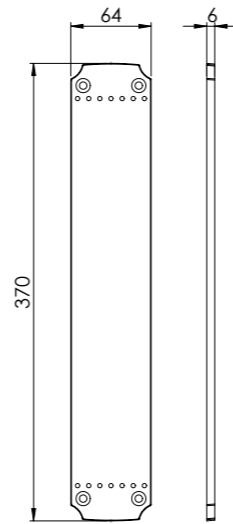




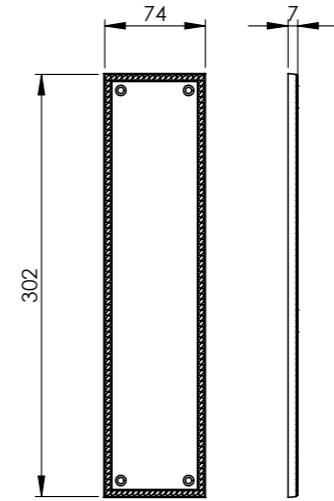
PF107
Finger Plate



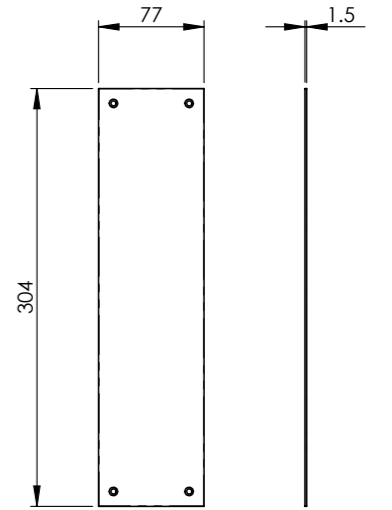
PF110
Laurin Finger Plate



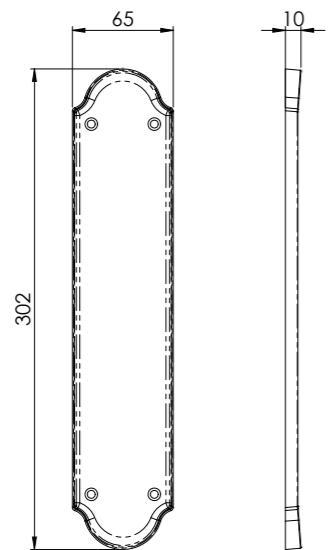
FG10
Finger Plate



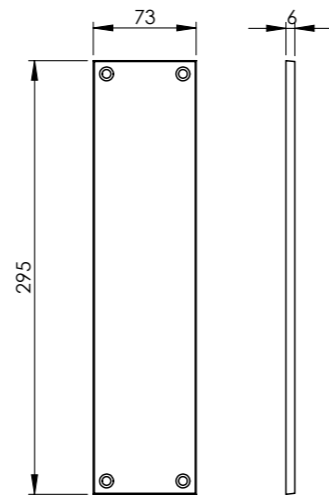
M39F
Flat Sheet Finger Plate



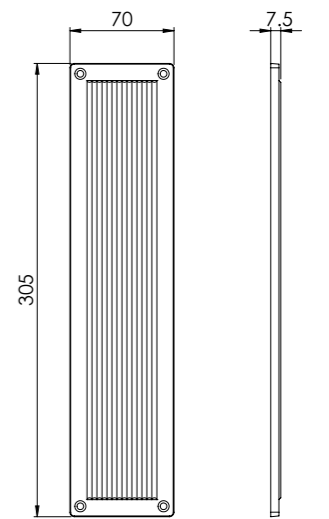
DL20
Shaped End
Finger Plate



M39
Finger Plate



M1002
Queen Anne
Finger Plate



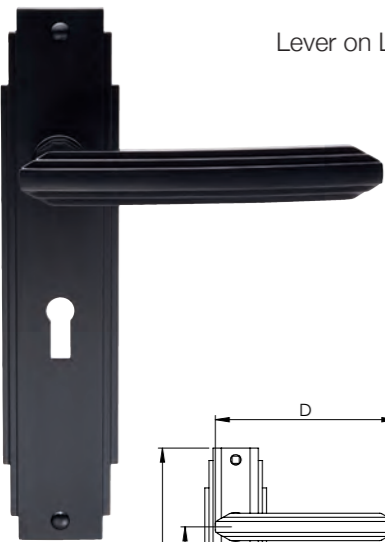
CARLISLE BRASS

Art Deco

© Original Carlisle Brass design inspired by 1920s New York architecture

© Co-ordinates beautifully with our Art Deco cabinet hardware range





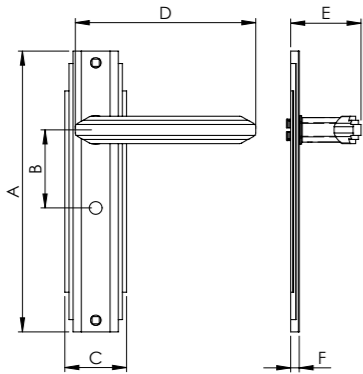
ADR011
Lever on Lock Profile Backplate

ADR012
Latch

ADR013
Bathroom



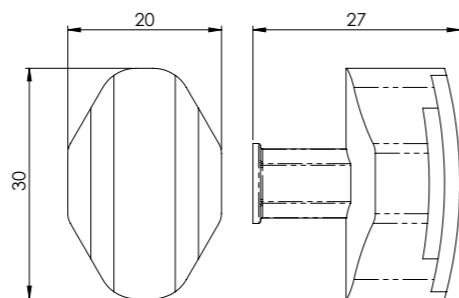
ADR011Y
Euro



	A	B	C	D	E	F
ADR011	205	57	45	132	60.5	6
ADR011Y	205	47.5	45	132	60.5	6
ADR012	205	-	45	132	60.5	6
ADR013	205	57	45	132	60.5	6



ADR501B
Art Deco Cabinet Knob

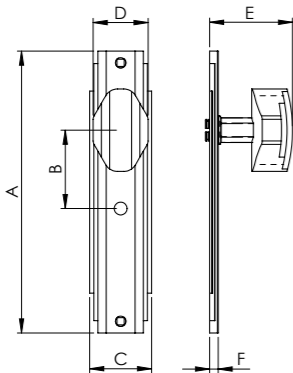


ADR022
Knob on Latch Backplate Unsprung



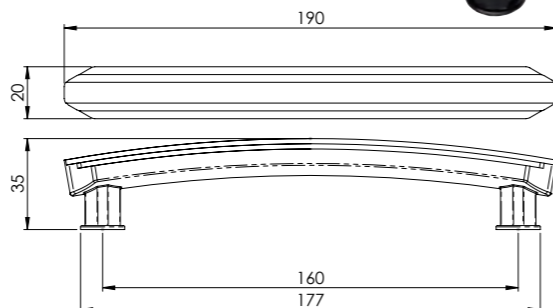
ADR021
Lock

ADR023
Bathroom








	A	B	C	D	E	F
ADR021	205	57	45	40	60.5	6
ADR021Y	205	47.5	45	40	60.5	6
ADR022	205	-	45	40	60.5	6
ADR023	205	57	45	40	60.5	6

ADR502C
Art Deco Cabinet Handle



CARLISLE BRASS

Residential Hinges

-  Wide variety of finishes to compliment the ironmongery around the home
-  Selection of lighter weight hinges ideally suited for residential properties
-  Smaller knuckles, more appealing for the residential home
-  10-year mechanical guarantee
-  Not suitable for use on fire doors



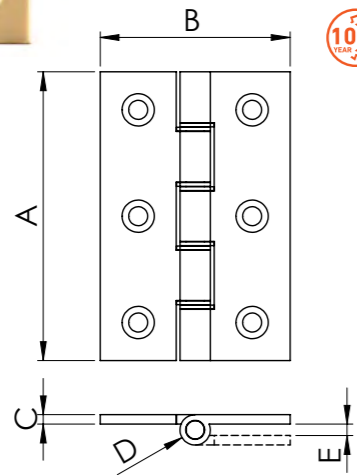


HDSW1
Double Steel Washered
Brass Butt Hinge

HDSW2



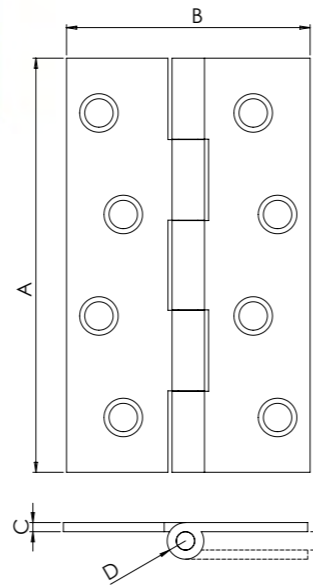
HDSW20
HDSW3



	A	B	C	D	E
HDSW1	76	50	2	R3.5	3
HDSW2	102	67	2.2	R4	2
HDSW20	76	50	2.5	R4	3
HDSW3	102	67	2.5	R4	3
HDSW4	102	67	2.5	R4	3



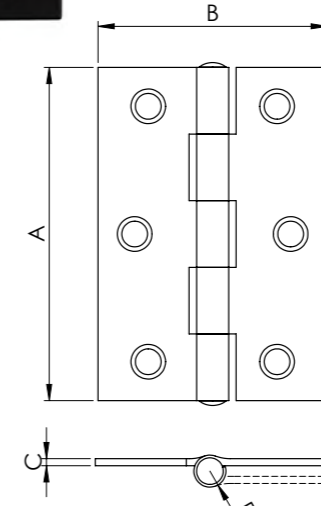
HSD3
HSD4
Solid Drawn Brass
Butt Hinge



	A	B	C	D	E
HSD3	76	40	1.5	3	3
HSD4	102	58	2	4	4



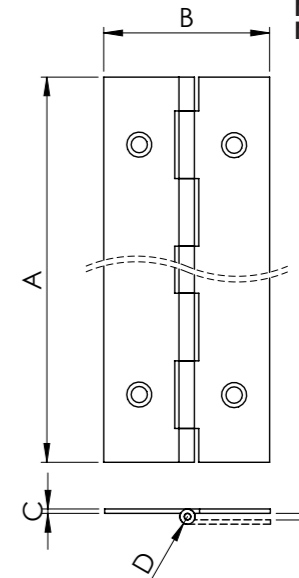
HINFP1
HINFP4
Fixed Pin Hinge



	A	B	C	D	E
HINFP1	75	50	1.5	3.5	0.5
HINFP4	102	72	2	5	1



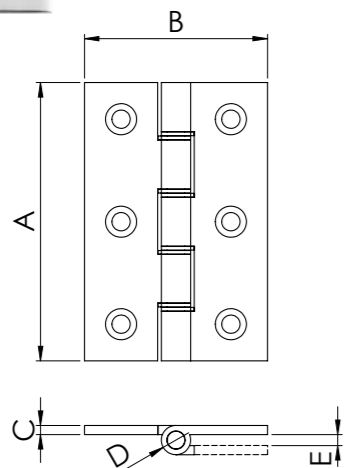
EBH1
Plated Steel Piano Hinge
(Pack of 50)



	A	B	C	D	E
EBH1	1830	25	1	3.5	5
EBH2	1830	32	1	3.5	5
EBH3	1830	38	1	3.5	5
NPH1	1830	25	1	3.5	5
NPH2	1830	32	1	3.5	5
NPH3	1830	38	1	3.5	5



HDSSW2
HDSSW5
Double Stainless Steel
Washed Brass Butt Hinge



	A	B	C	D	E
HDSSW2	76	50	2.5	4	3
HDSSW5	102	67	4	5.5	3



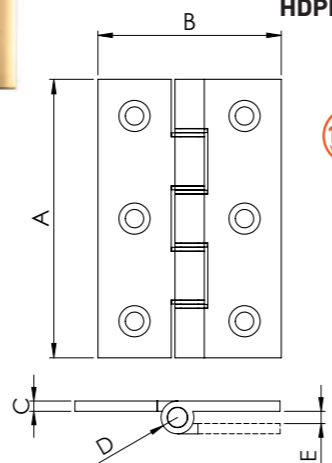
HDPBW21
Double Phosphor Bronze
Washed Butt Hinge



HDPBW61



HDPBW4
HDPBW8






	A	B	C	D	E
HDPBW21	76	50	2.5	4	3
HDPBW61	102	67	4	5.5	3
HDPBW4	102	67	2.5	4	3
HDPBW8	102	76	4	5.5	3
HDPBW10	127	76	3	4.5	3



HDSSW2SC

CARLISLE BRASS

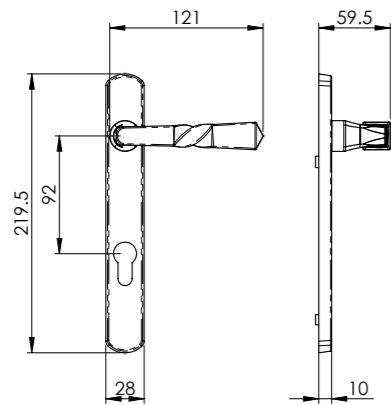
Black Antique

-  Period crafted furniture
-  Perfect for creating an authentic country look and feel
-  Ideal for cottages and barn conversions





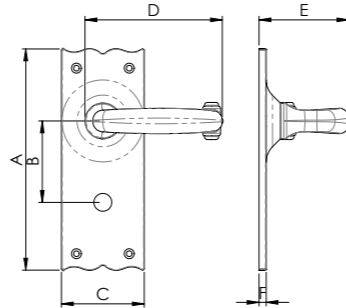
LF56NP92
Straight Narrow Backplate



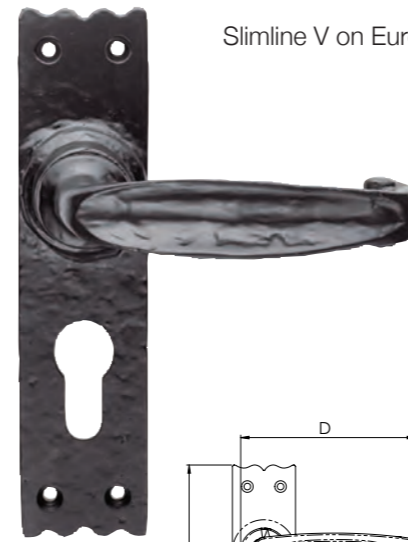
LF5502
Traditional on Latch Backplate



LF5501 Lock
LF5503 Bathroom
LF5501Y Euro



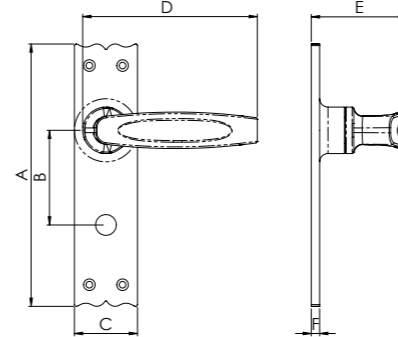
	A	B	C	D	E	F
LF5501	155	57	54	95	65	5
LF5501Y	155	47.5	54	95	65	5
LF5502	155	-	54	95	65	5
LF5503	155	57	54	95	65	5



LF5507Y
Slimline V on Euro Profile Backplate



LF5507 Lock
LF5508 Latch
LF5509 Bathroom



	A	B	C	D	E	F
LF5507	156	57	38	109	57	5
LF5507Y	156	47.5	38	109	57	5
LF5508	156	-	38	109	57	5
LF5509	156	57	38	109	57	5

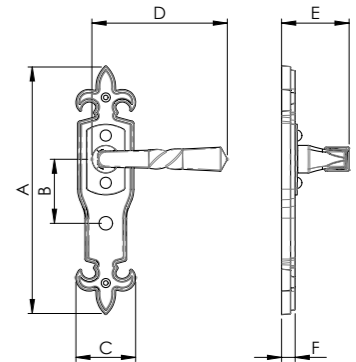


LF5114
Barley Twist on Gothic Latch Backplate



LF5113 Lock

LF5115 Bathroom



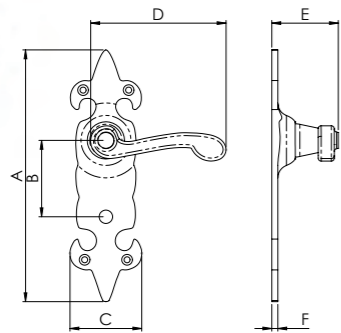
	A	B	C	D	E	F
LF5113	226	57	50	119	61	10
LF5114	226	-	50	119	61	10
LF5115	226	57	50	119	61	10



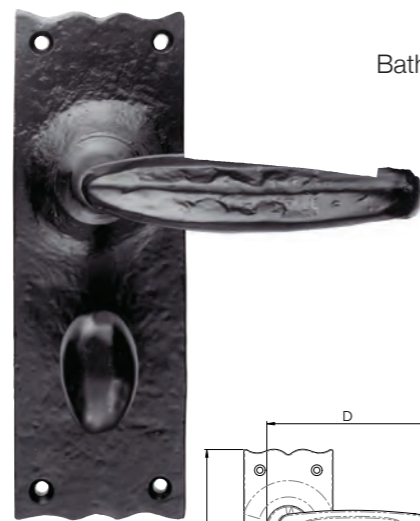
LF5505
Fleur de Lys on Latch Backplate



LF5504 Lock
LF5506 Bathroom



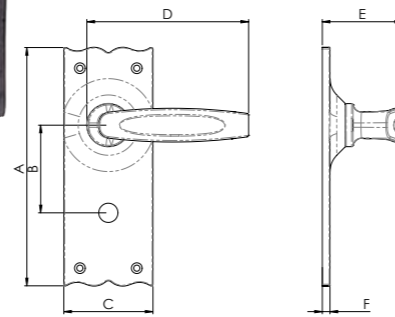
	A	B	C	D	E	F
LF5504	206	57	57	99	51	5
LF5505	206	-	57	99	51	5
LF5506	206	57	57	99	51	5



LF5518
Traditional V on Bathroom Backplate



LF5516 Lock
LF5517 Latch



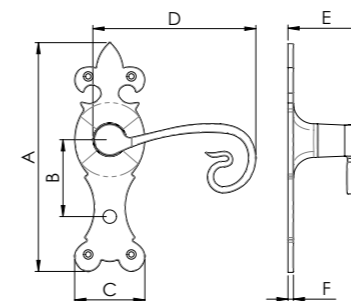
	A	B	C	D	E	F
LF5516	155	57	54	109	53	5
LF5517	155	-	54	109	53	5
LF5518	155	57	54	109	53	5



LF5116
Curly Tail on Lock Profile Backplate



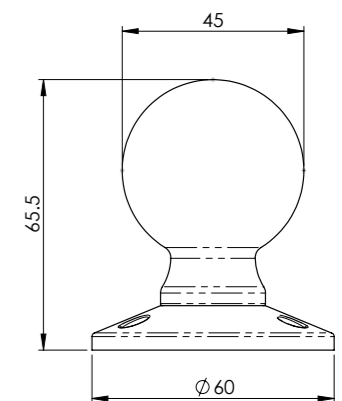
LF5117 Latch
LF5118 Bathroom



	A	B	C	D	E	F
LF5116	167	57	51	130	55	5
LF5117	167	-	51	130	55	5
LF5118	167	57	51	130	55	5

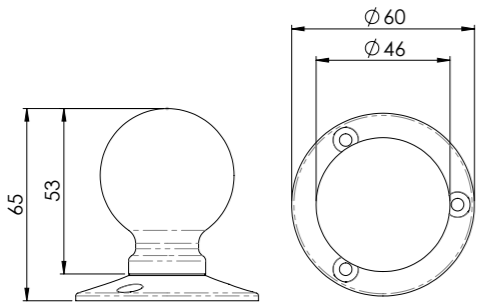


LF5594
Ball Mortise Knob Half-Sprung

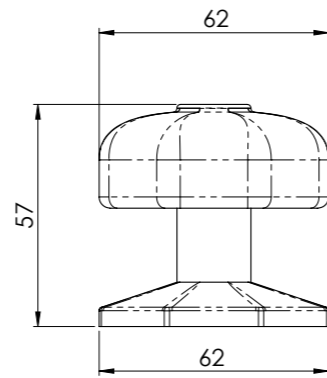




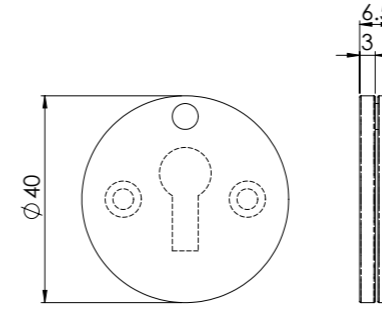
LF5594R
Ball Rim Knob



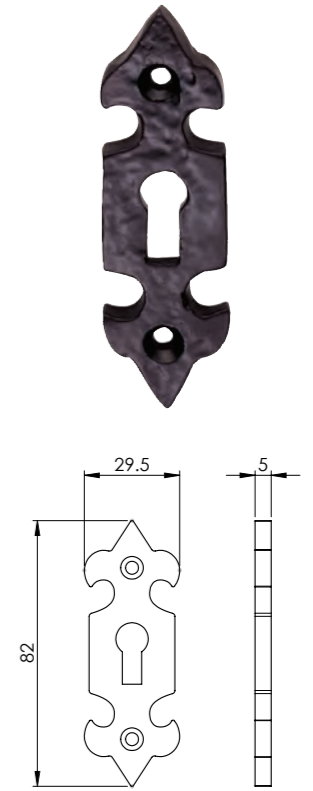
LF5550
Octagonal Centre
Door Knob



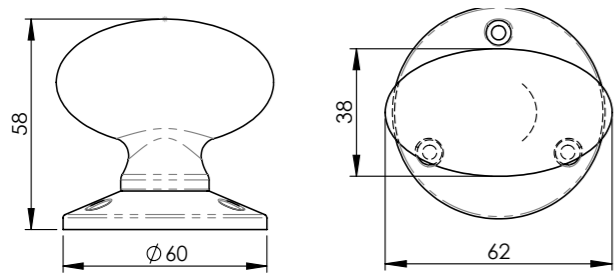
LF5546
Lock Covered Escutcheon



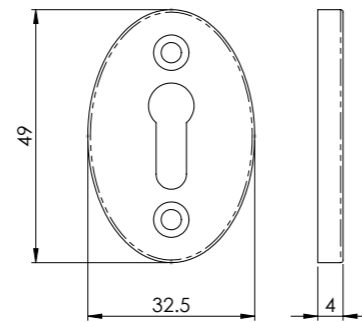
LF5532
Lock Fleur De Lys Escutcheon



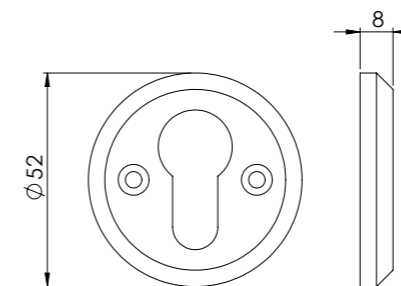
LF5595
Oval Mortice Knob
Half Sprung



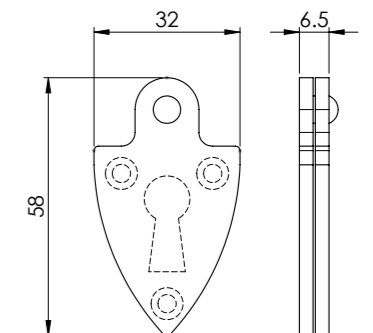
LF5539U
Lock Escutcheon



LF5539
Euro Escutcheon

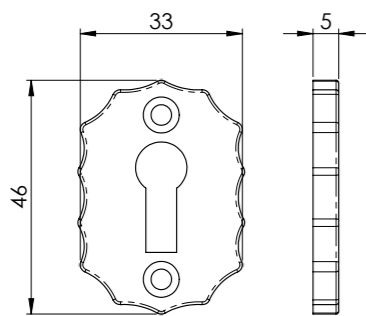


LF5533
Lock Shield Covered Escutcheon

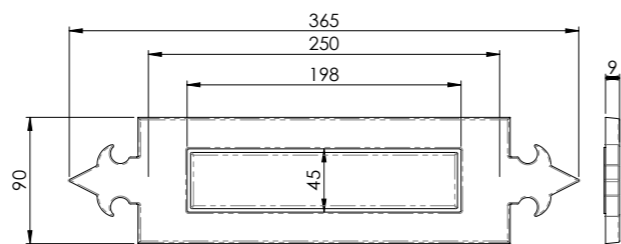




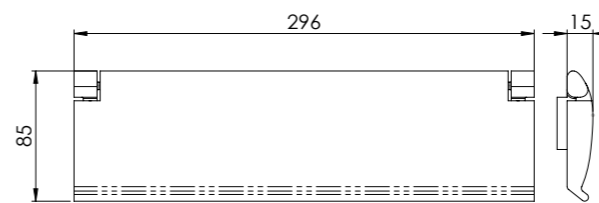
LF5531
Lock Floral Escutcheon



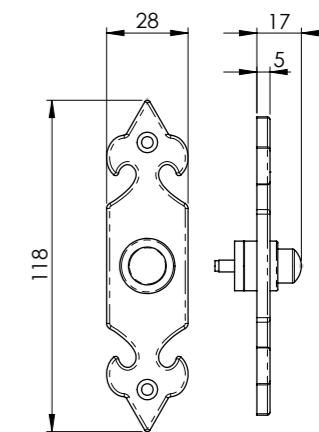
LF5525
Fleur De Lys Letter Plate



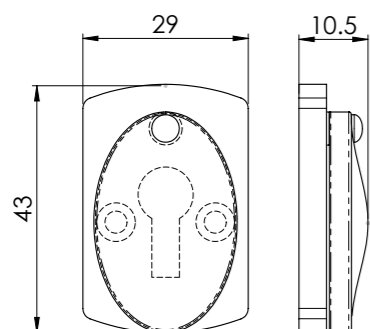
AA55BA
Letter Tidy



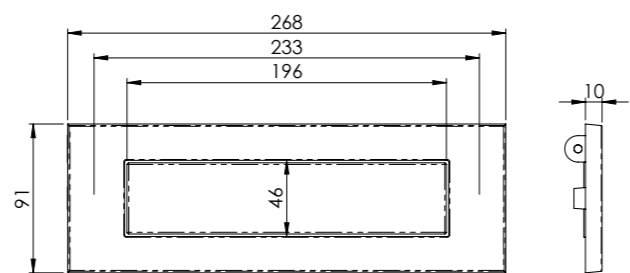
LF5534
Fleur De Lys Bell Push



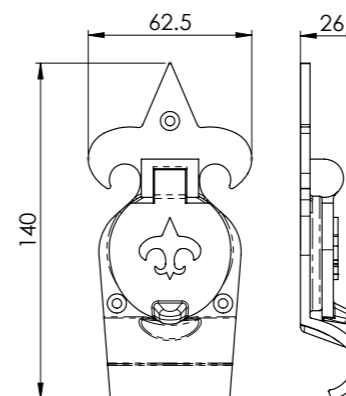
LF5538
Lock Plaque Covered Escutcheon



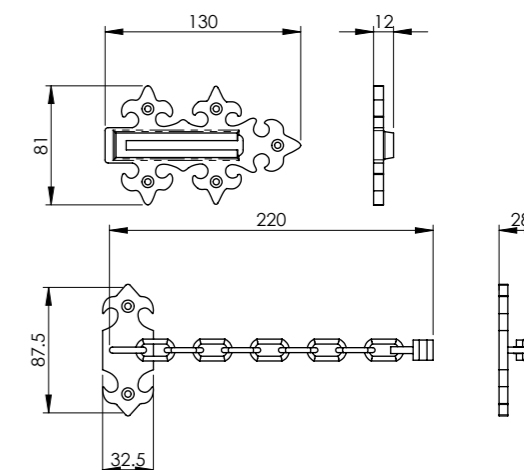
LF5524
Traditional Letter Plate



LF5543
Fleur De Lys
Rim Cylinder Pull



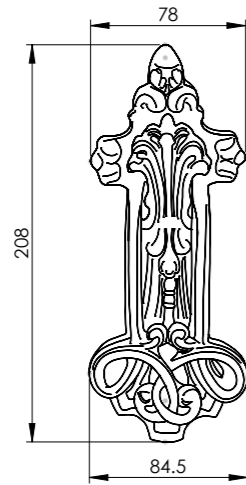
LF5536
Door Chain





LF5591
Ornate Door Knocker

BA



LF55495
Numeral 5

BA

LF55490

0

LF55491

1

LF55492

2

LF55493

3

LF55494

4

LF55495

5

LF55496

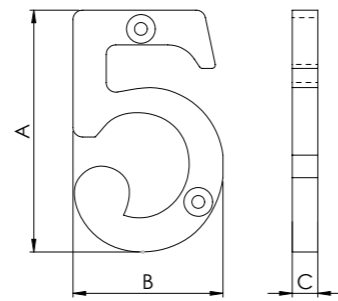
6/9

LF55497

7

LF55498

8

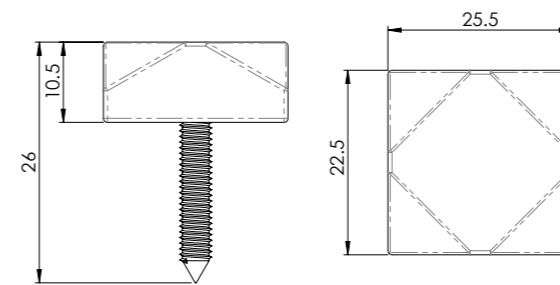


	A	B	C
LF55490	76	38	50
LF55491	76.5	50	34
LF55492	78	46	48.5
LF55493	80	57	53.5
LF55494	78	46	59
LF55495	78	54.5	48.5
LF55496	79	67	51
LF55497	79	59.5	61
LF55498	76	45	48



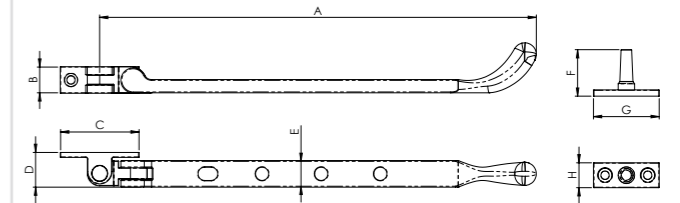
LF55103
Door Stud Large

BA



LF5544B
LF5544C
Bulb End Casement Stay

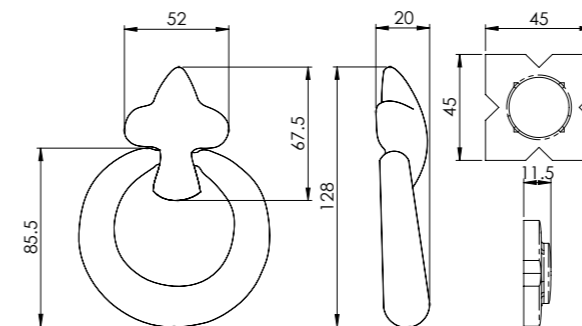
BA



	A	B	C	D	E	F	G	H
LF5544B	238	18	55.5	23	16.5	25	18	52
LF5544C	295.5	18	55.5	23	16.5	25	18	52

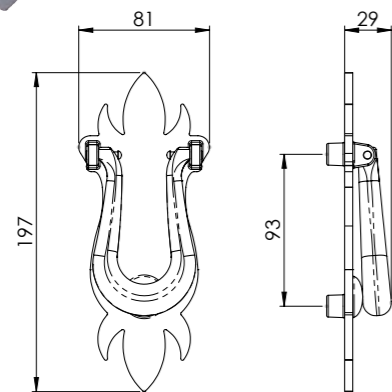
LF5590
Ring Door Knocker

BA



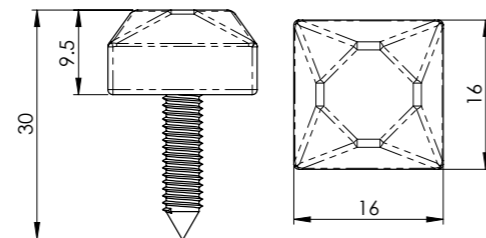
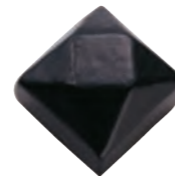
LF5592
Door Knocker

BA



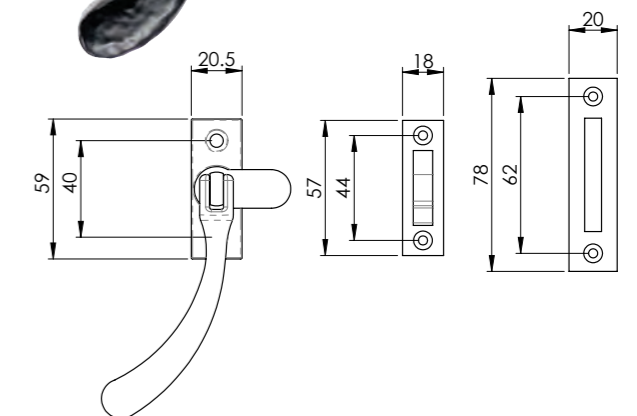
LF55102
Door Stud

BA



LF5545
Bulb End Casement Fastener
(Not suitable for Weather Stripped Windows)

BA





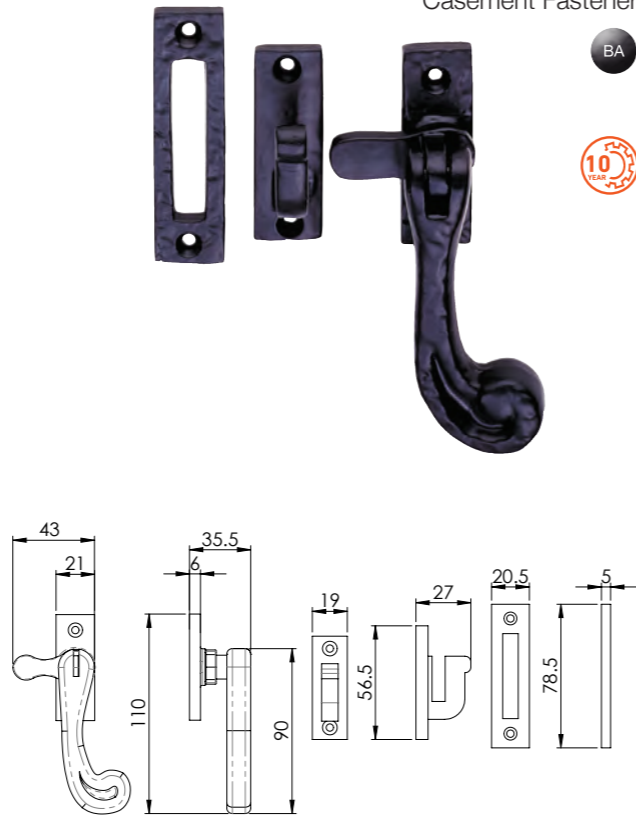
LF1006LH
Locking Casement Fastener
Left Hand



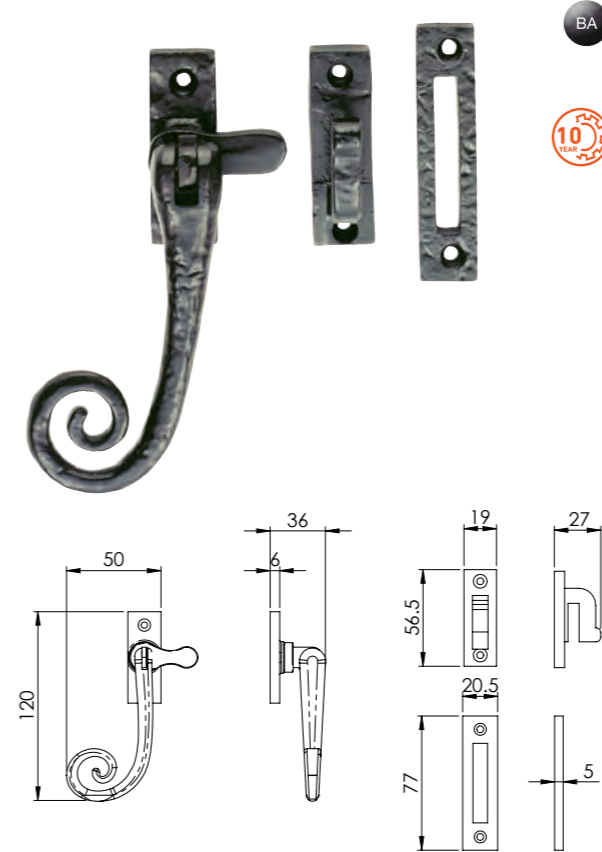
LF1006RH
Right Hand



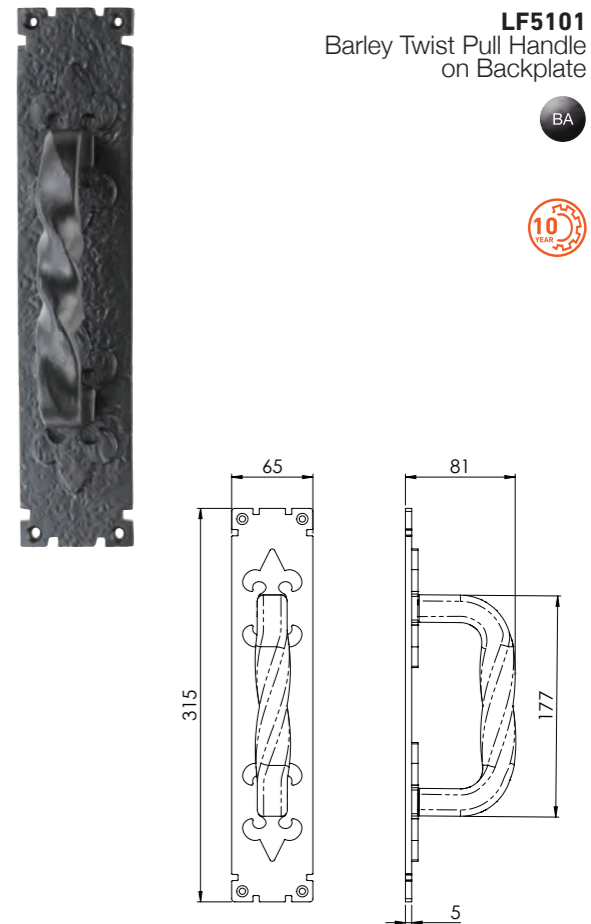
LF5537
Casement Fastener



LF5542
Curly Tail Casement Fastener



LF5101
Barley Twist Pull Handle
on Backplate



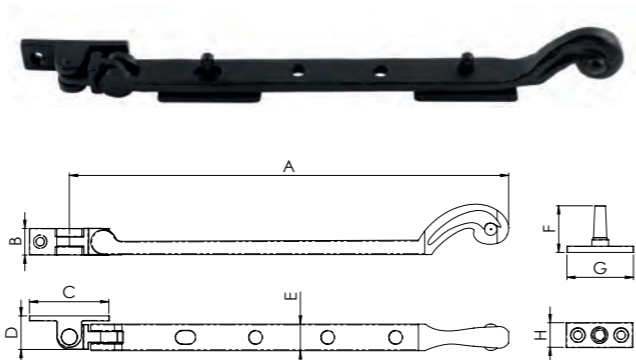
LF34LH
Locking Espagnolette Fastener
Left Hand



LF34RH
Right Hand

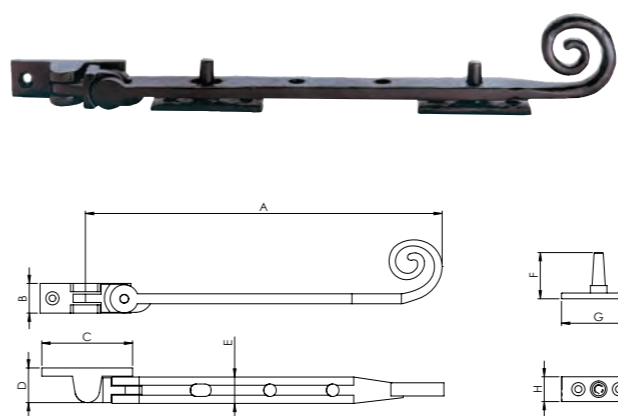


LF5540B
LF5540C
Casement Stay



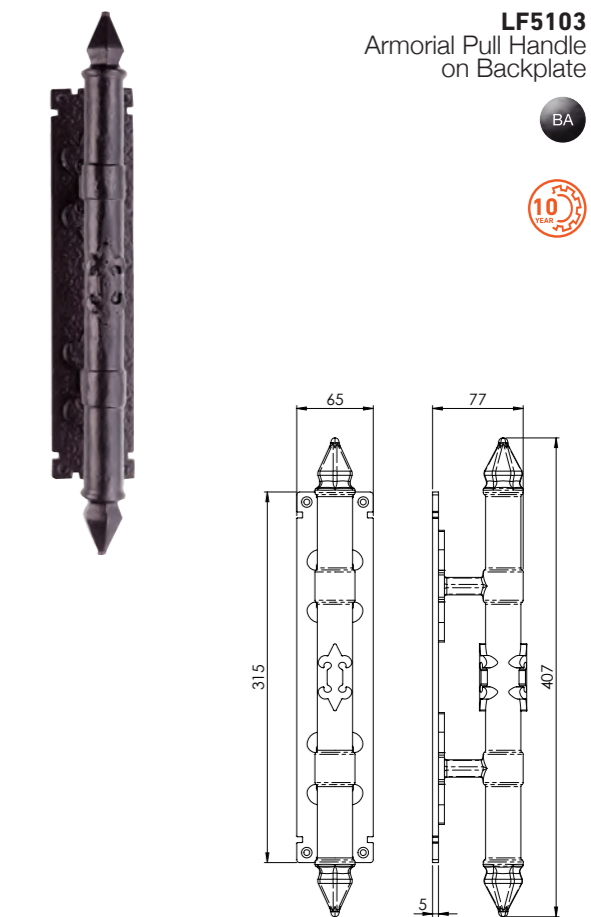
	A	B	C	D	E	F	G	H
LF5540B	273	18.5	55	23	19	25	52	18
LF5540C	299	18.5	55	23	19	25	52	18

LF5541A
LF5541B
LF5541C
Curly Tail Casement Stay



	A	B	C	D	E	F	G	H
LF5541A	217	18	55.5	20	18.5	25	51.5	18.5
LF5541B	261	18	55.5	21	18.5	25	51.5	18.5
LF5541C	310	18	55.5	24	18.5	25	51.5	18.5

LF5103
Armorial Pull Handle
on Backplate

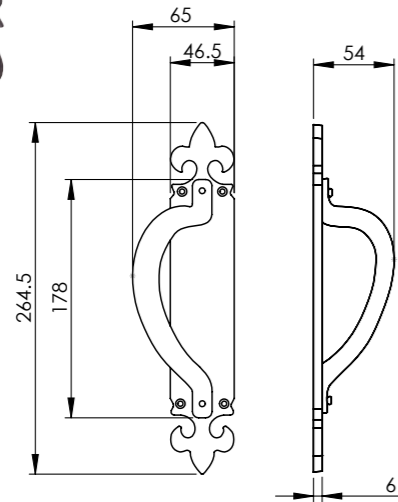




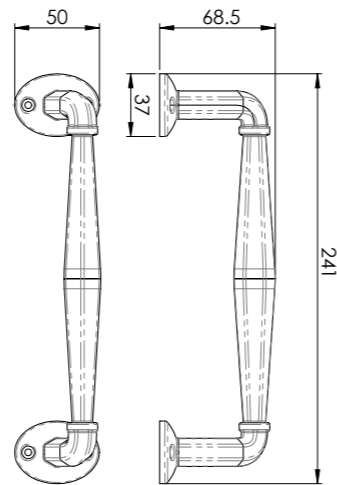
LF5260LH
Offset Pull Handle on Backplate
Left Hand



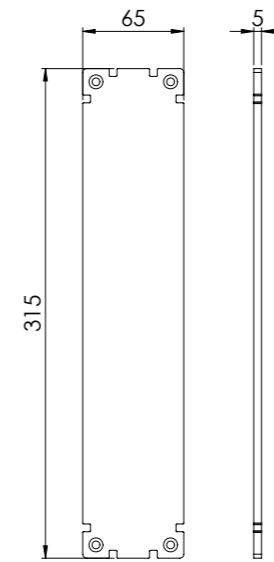
LF5260RH
Right Hand



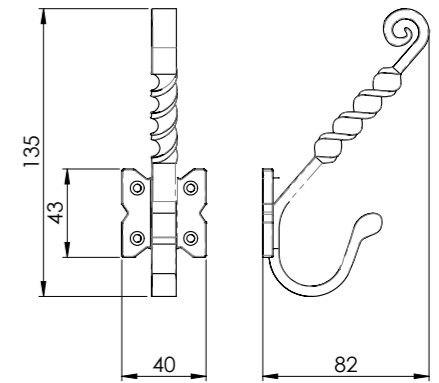
LF5266
Offset Pull Handle on Rose



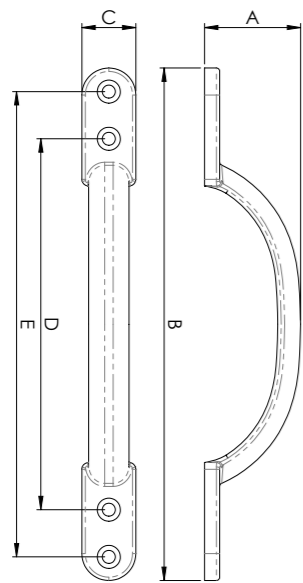
LF55101
Fingerplate



LF5526
Hat and Coat Hook



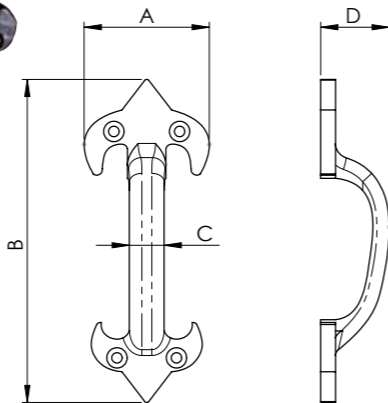
LF5575A
LF5575B
Hotbed Handle



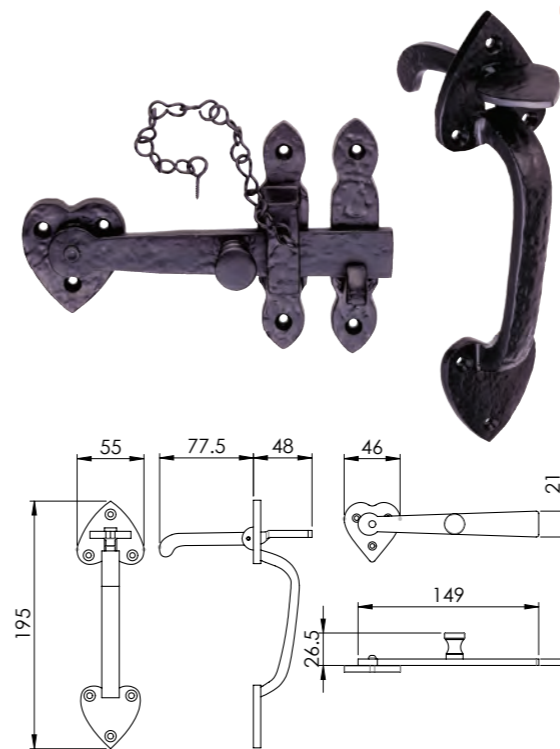
	A	B	C	D	E
LF5575A	28.5	132	16	97	116
LF5575B	28.5	132	18	110	138



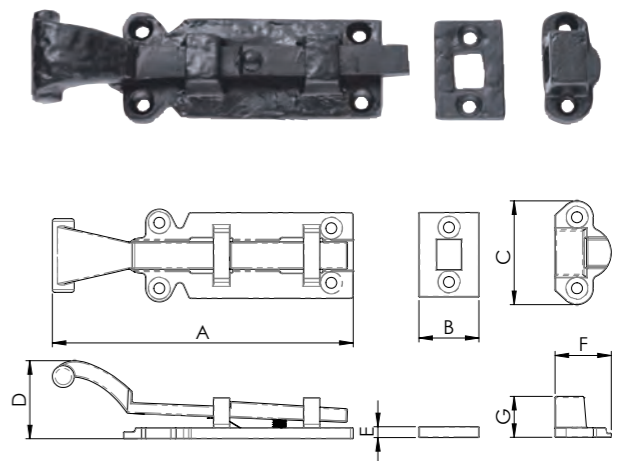
LF5574A
LF5574B
LF5574C
Pull Handle



	A	B	C	D
LF5574A	50.5	130	14	28
LF5574B	52	177	17	32.5
LF5574C	52	230	20	38



LF5535
Thumb Latch Set



LF5530A
LF5530B
LF5530C
Straight Door Bolt
c/w Staple and Plate

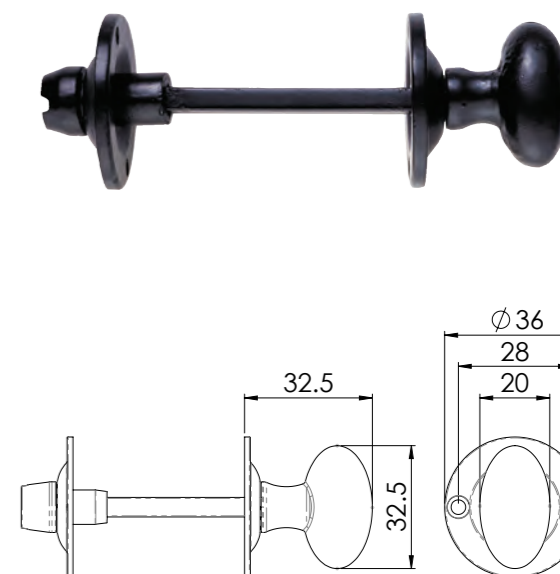


	A	B	C	D	E	F	G
LF5530A	108	20	37.5	28	3.5	22	15
LF5530B	152	20	37.5	28	3.5	22	15
LF5530C	201	20	37.5	28	3.5	22	15



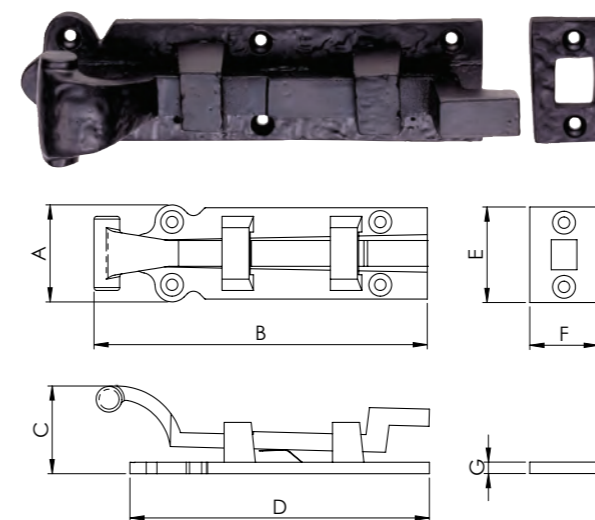
AA133BA
Oval Thumbturn & Release

BA



LF5563A
LF5563B
LF5563C
Cranked Door Bolt

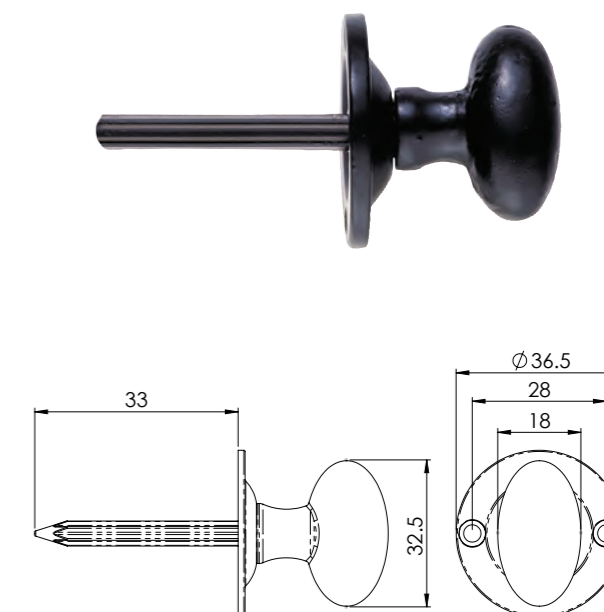
BA



	A	B	C	D	E	F	G
LF5563A	28	105	35	116	31.5	22	4
LF5563B	35.5	150	46	160	40.5	24	5
LF5563C	38	213	51.5	213	50.5	28	5

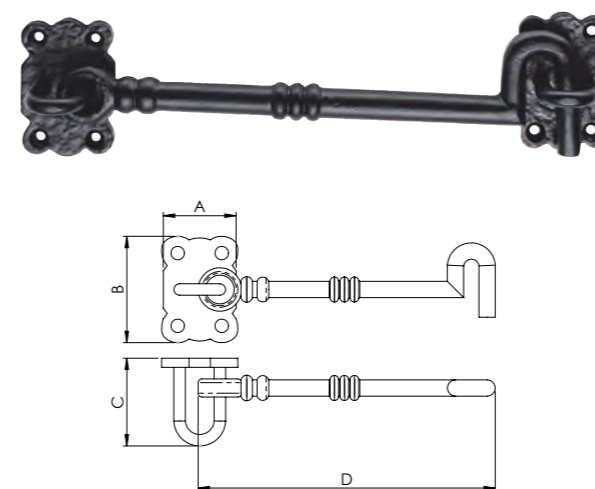
AA33BA
Oval Thumbturn
Spine spindle to operate rack bolt

BA



LF5528A
LF5528B
LF5528C
LF5528D
Cabin Hook

BA

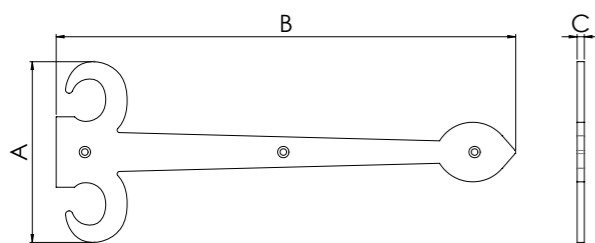


	A	B	C	D
LF5528A	38	56	42	105
LF5528B	38	56	42	155
LF5528C	38	56	42	205
LF5528D	38	56	42	308



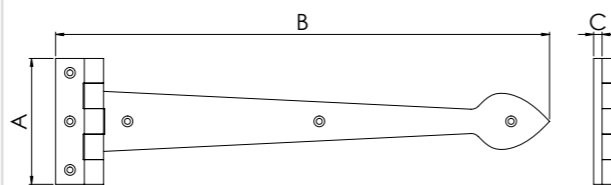


LF5121
LF5122
LF5123
Sword Hinge Front



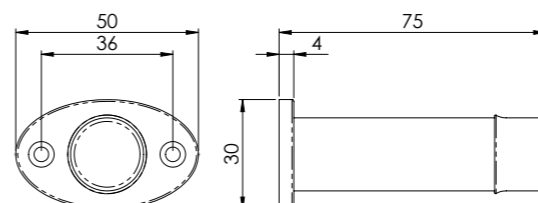
	A	B	C
LF5121	140	305	6
LF5122	145	385	6
LF5123	160	465	6

LF5515
LF5515A
LF5515B
Tee Hinge

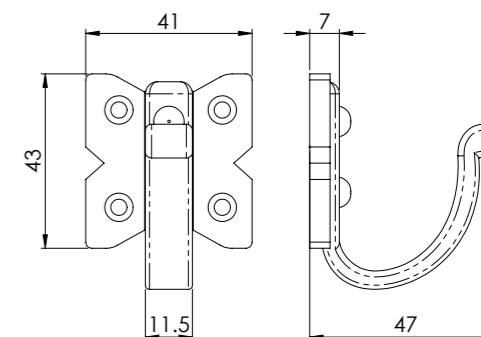


	A	B	C
LF5515	102	305	6
LF5515A	104	410	6
LF5515B	104	465	6

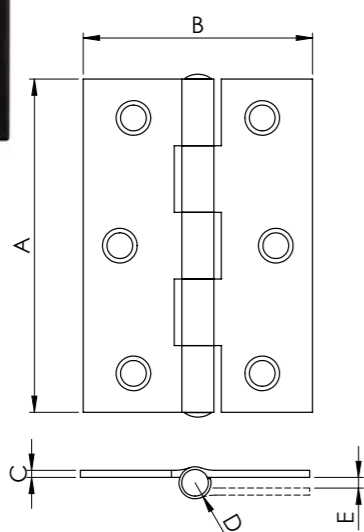
LF5130
Projection Door Stop



LF5527
Single Wardrobe Hook



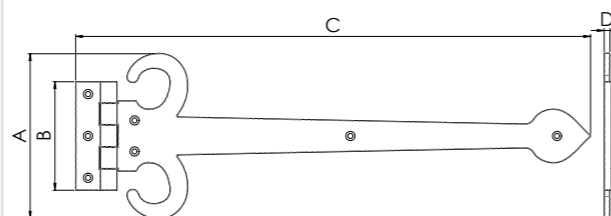
HINFP1
HINFP4
Fixed Pin Hinge



HINFP1
HINFP4

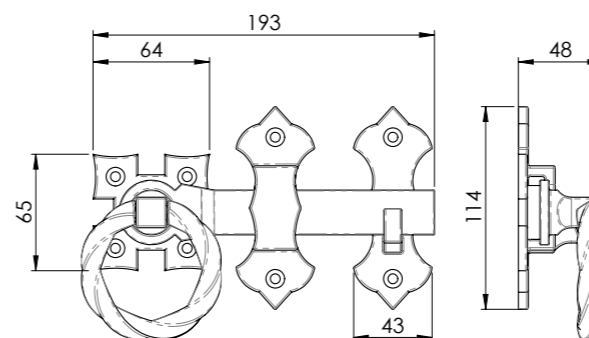
	A	B	C	D	E
HINFP1	75	50	1.5	3.5	0.5
HINFP4	102	72	2	5	1

LF5519A
LF5519B
LF5519C
Sword Hinge

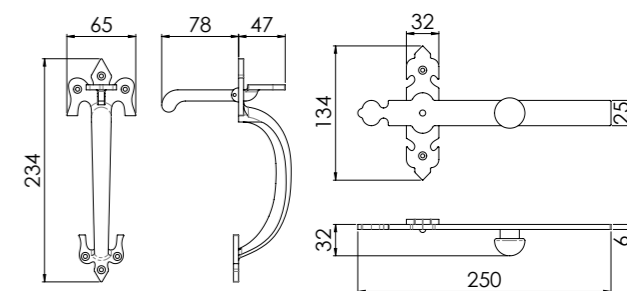
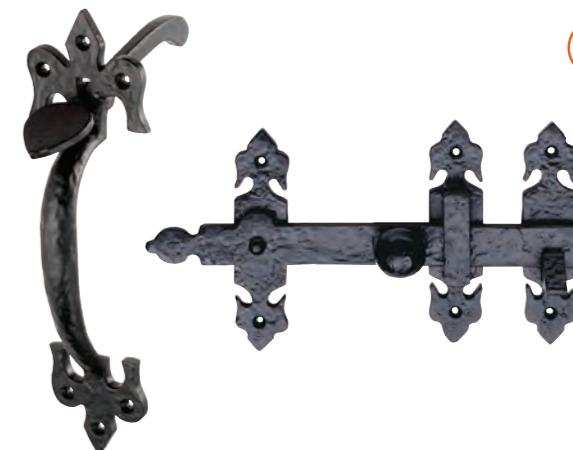


	A	B	C	D
LF5519A	140	102	352	6
LF5519B	148	104	430	6
LF5519C	158	104	505	6

LF5547
Ring Handle Gate Latch



LF5548
Suffolk Latch



- © Classic design to suit all tastes
- © A furniture range to uplift any property entrance

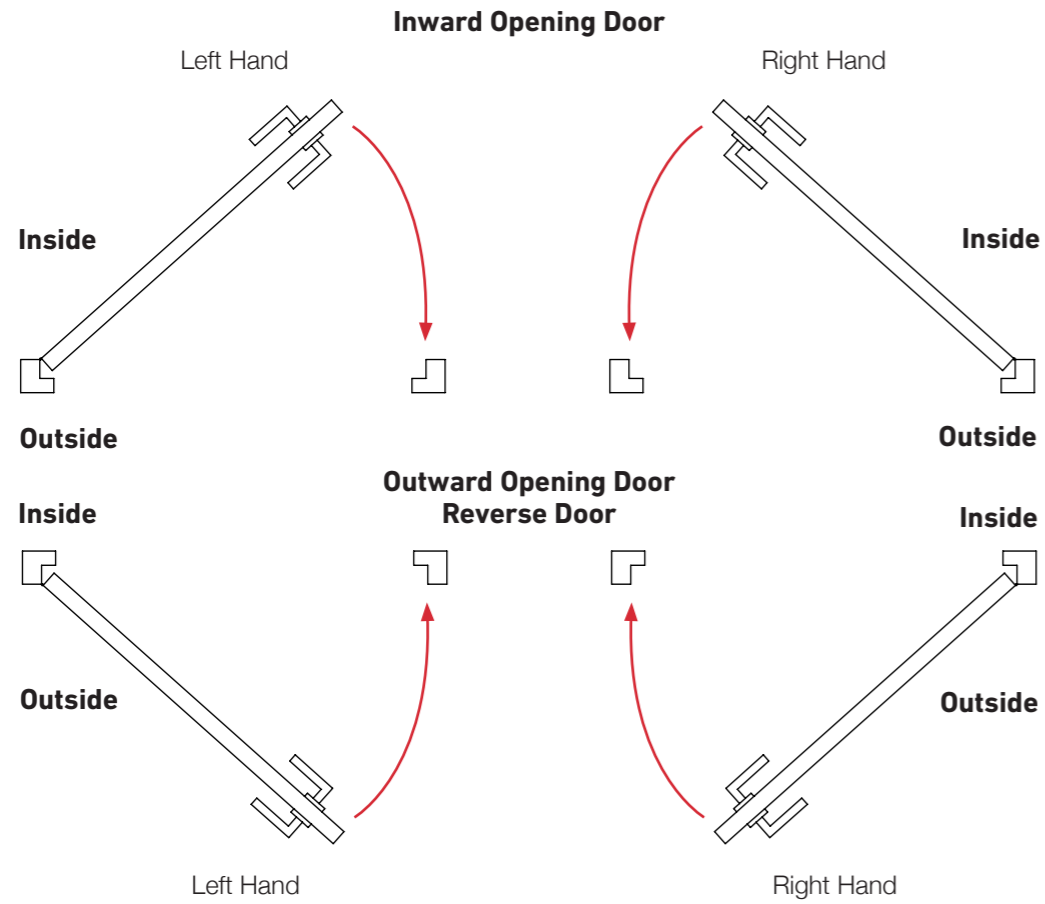


External Door & Window

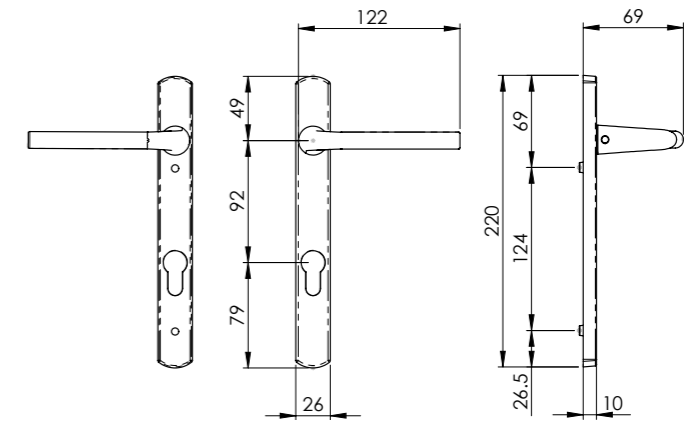
External Door & Window



HOW TO DETERMINE THE HANDING OF A DOOR



SZS01NP92 Rosa Narrow Backplate



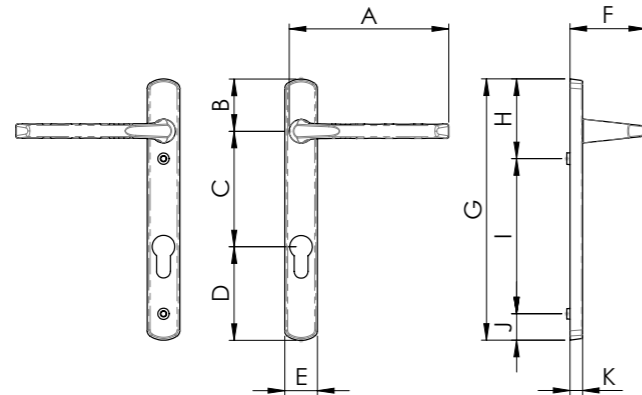
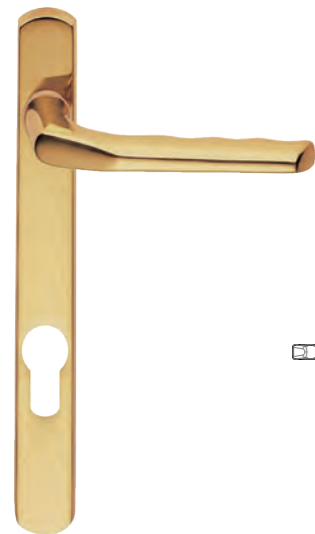
M86NP92 Straight Narrow Backplate



M86NP92 (S)



M86NP (S) 70mm centres

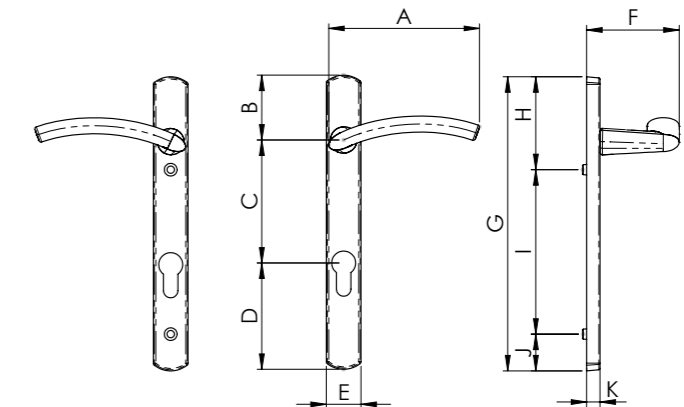


	A	B	C	D	E	F	G	H	I	J	K
M86NP92	119	42	92	74	26	58	208	64	124	20	10
M86NP	119	76	70	62	26	61	208	14	180	14	10

SZS03NP92RH Verde Narrow Backplate Right Hand



SZS03NP92LH Left Hand



	A	B	C	D	E	F	G	H	I	J	K
SZS03NP92RH	113	49	92	79	26	68	220	69	124	27	10
SZS03NP92LH	113	49	92	79	26	68	220	69	124	27	10



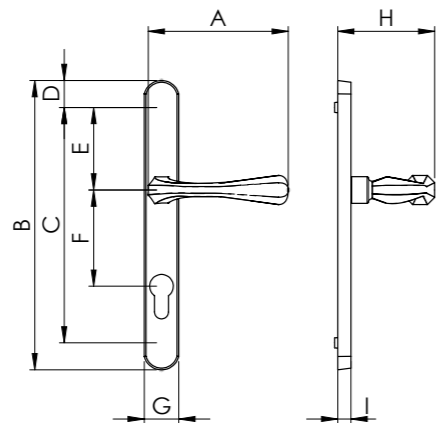
AQ1NP
Astro on Narrow Backplate
70mm centres



AQ1NP92
92mm centres



AQ1NP92 (S)
92mm centres



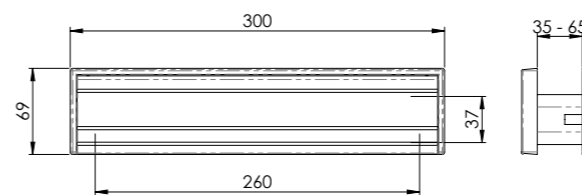
	A	B	C	D	E	F	G	H	I
AQ1NP	109	208	180	14	63	70	26	76	10
AQ1NP92	109	208	124	64	20.5	92	26	76	10



SL2
Sleeve Letter Plate
To suit doors 35-65mm thick



SL1



Letter Tidy - Curved Pattern



AA52
AA53



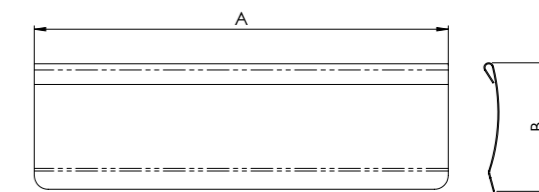
AA54



AA55



AA56



	A	B
AA52	300	93
AA53	280	78
AA54	280	76
AA55	275	82.5
AA56	355	127



M140NP92RH
Scroll Narrow Backplate
Right Hand

M140NP92LH
Left Hand



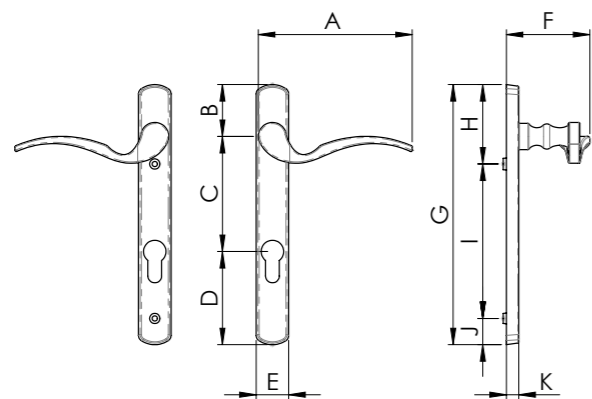
M140NP92RH (S)
Scroll Narrow Backplate
Right Hand

M140NP92LH
Left Hand



M140NPRH (S)
Right Hand
70mm centres

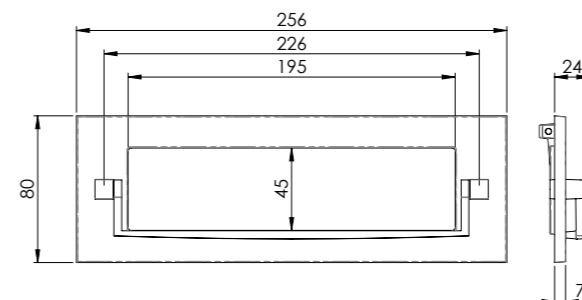
M140NPLH (S)
Left Hand
70mm centre



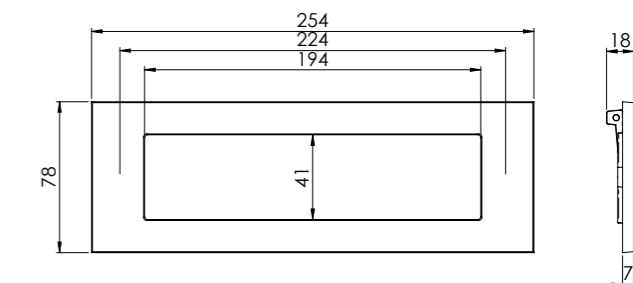
	A	B	C	D	E	F	G	H	I	J	K
M140NP92RH	118	43	92	73	26	75	208	64	124	20.5	10
M140NP92LH	118	43	92	73	26	75	208	64	124	20.5	10
M140NPRH	118	76	70	62	26	75	208	14	180	14	10
M140NPLH	118	76	70	62	26	75	208	14	180	14	10

M78

Postal Knocker



M36G
Plain Letter Plate - Gravity Flap

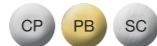




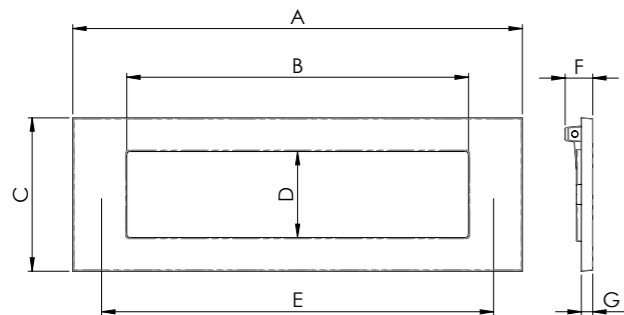
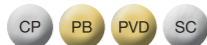
M36A
Plain Letter Plate



M36B
M36E
M36F



M36D
M36H
M36S



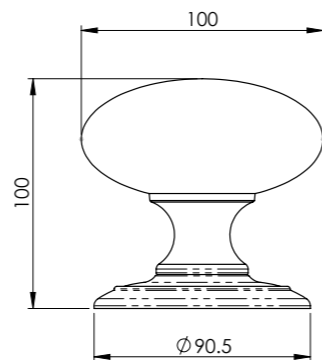
	A	B	C	D	E	F	G
M36A	253	194	77	42	224	13	5
M36B	277.5	210	95	53	241	19	7
M36D	305.5	249	104	60.5	275	17.5	7
M36E	358	283	113	63	325	16.5	7
M36F	405	320	125	70	360	20	8
M36H	282	229	80	50.5	258	16	6.5
M36S	255	184	80	40	219	18	8

Relevant Letter Tidy

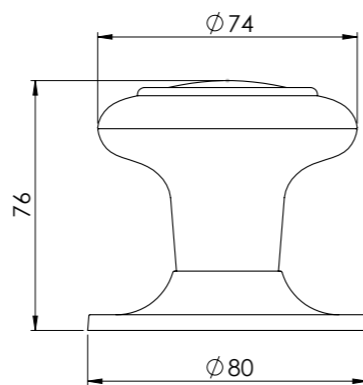
Letter Plate	Letter Tidy
M36A	AA53
M36B	AA53
M36D	AA52
M36E	AA56
M36F	N/A
M36H	AA52
M36S	AA53



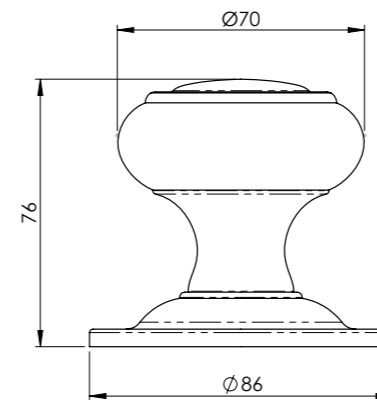
AC055
Large Centre Door Knob



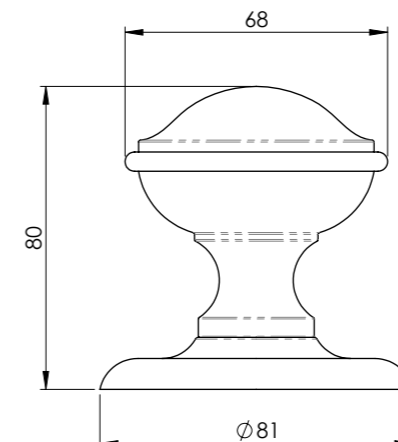
DL219
Centre Door Knob



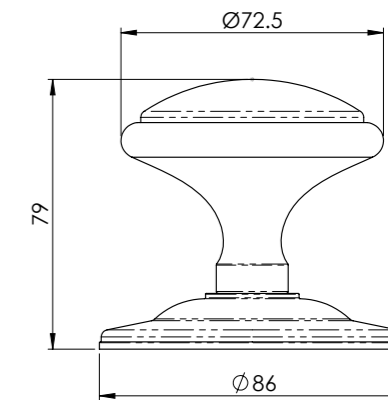
M51
Centre Door Knob



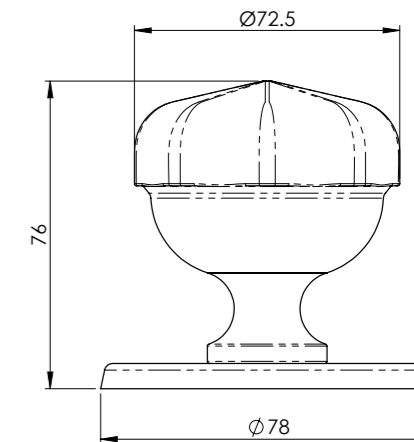
M60
Round Centre Door Knob



M61
Round Centre Door Knob



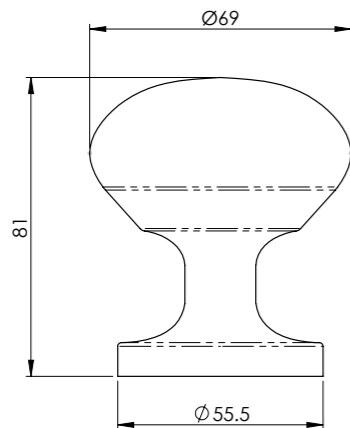
M219
Octagonal Centre Door Knob





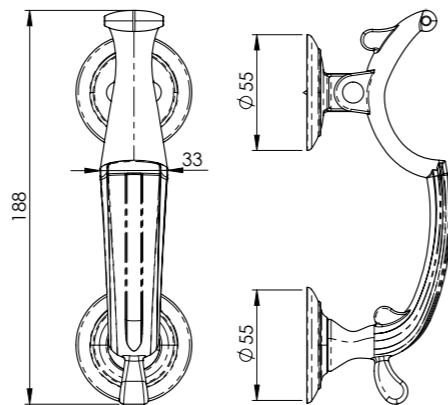
M220
Easy Centre Door Knob

CP PB SC



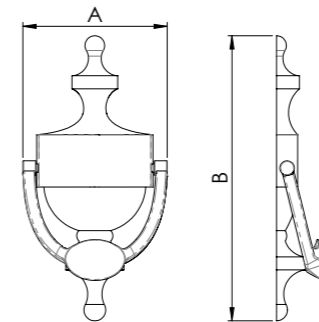
M45
Doctor Knocker

CP PVD SC



M38B
Victorian Urn Door Knocker

CP PB PVD

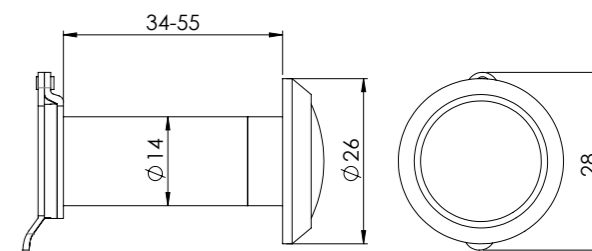


M38B	A	B
M38S	99	196
	77	152.5



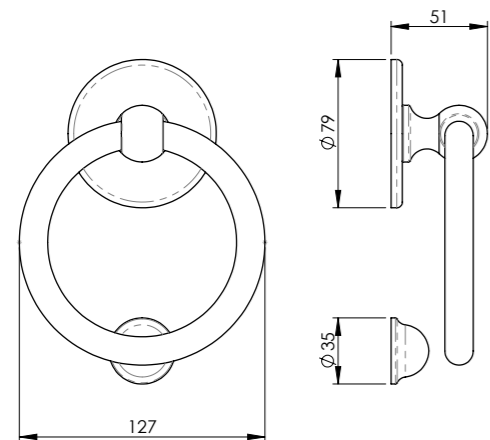
AA76
Door Viewer
Suits Doors 34-54mm
Plastic Lens

CP PB SC



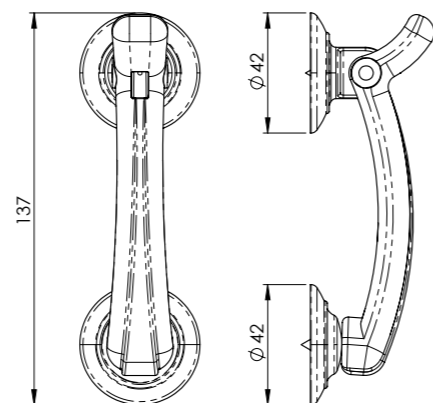
M37
Ring Door Knocker

CP PB SC



M43
Door Knocker on Rose

CP PB SC



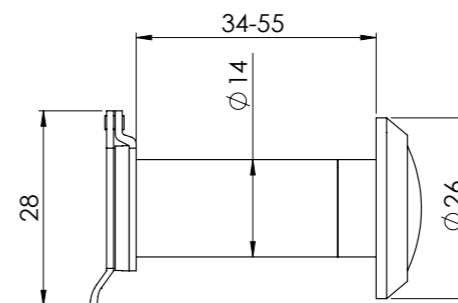
AA77
Door Viewer
Suits doors 34-54mm thick

CP PB SC

Glass Lens 14 Dia.
Angle of Vision
180°

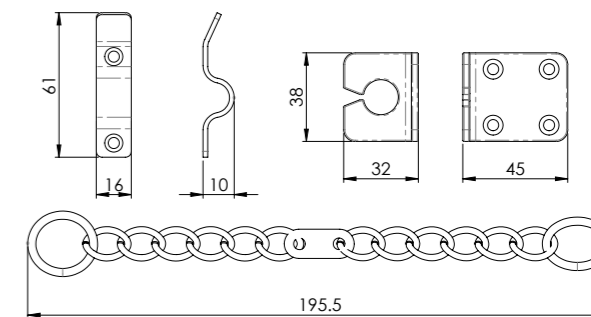


INTAA77
Intumescent Door
Viewer Pack



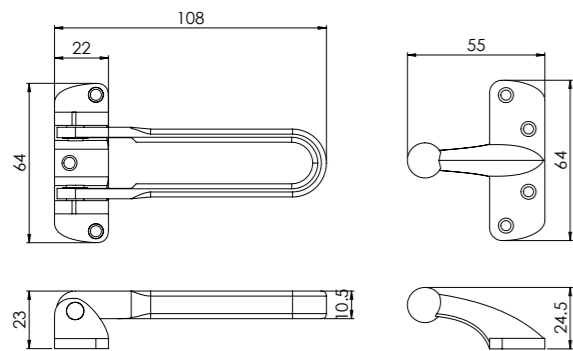
AA75
Heavy Door Chain

CP EB SC

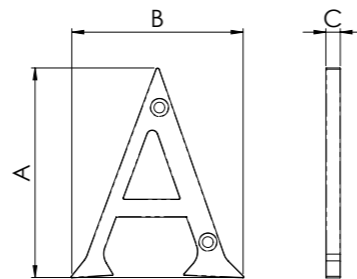




SDG4001
Security Door Guard

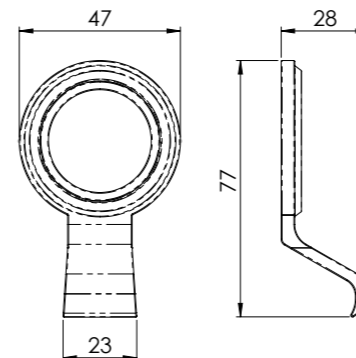


Letter A

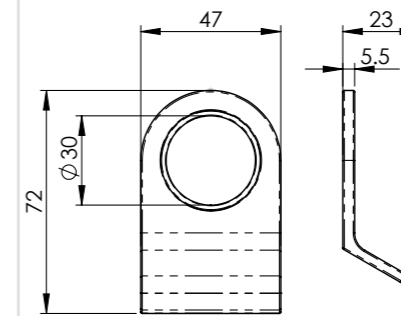


	A	B	C
NA	52.5	43.5	4.5
NB	53.5	40	4.5
NC	52	48	4.5
ND	52.5	44	4.5

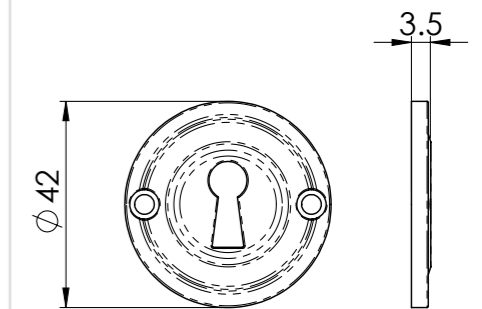
AQ40
Architectural Quality
Cylinder Pull



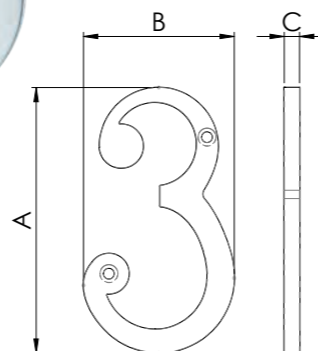
M40
Cylinder Latch Pull



AQ41
Escutcheon

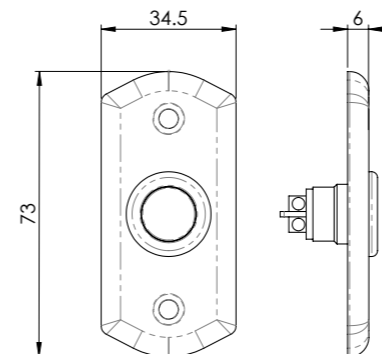


Numeral 3

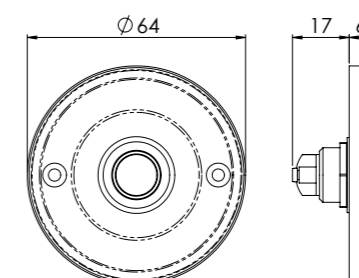


	A	B	C
N0	75	46	4
N1	73	15.5	4
N2	75	42	4
N3	75	43	4
N4	75	53	4
N5	73	41	4
N6/9	74	42	4
N7	73	41	4
N8	75.5	43	4

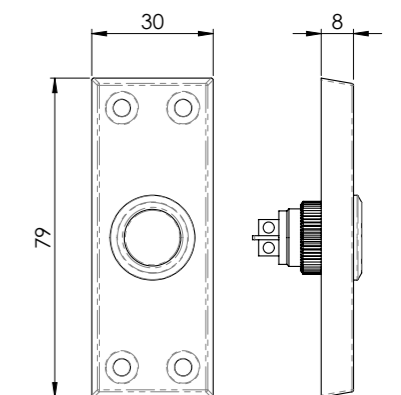
AQ31
Bell Push



AQ30
Round Bell Push



AA31
Bell Push



M36APB

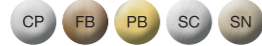
- © Traditional and modern window fittings for sash and casement applications
- © Matching products and finishes throughout the range
- © Products available for weather stripped windows



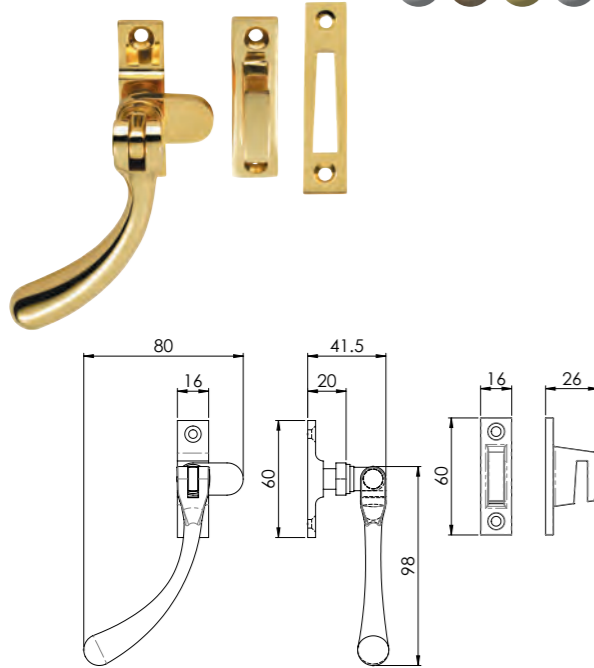
Victorian Casement



WF11
Bulb End Casement Fastener
Both Hook and Mortice Plate
(Suitable for Weather Stripped Windows)



WF16
Mortice Plate Only



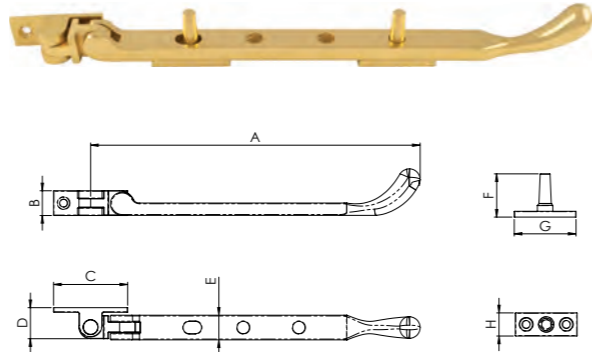
WF12S
Bulb End Casement Stay 253mm



WF12C
203mm



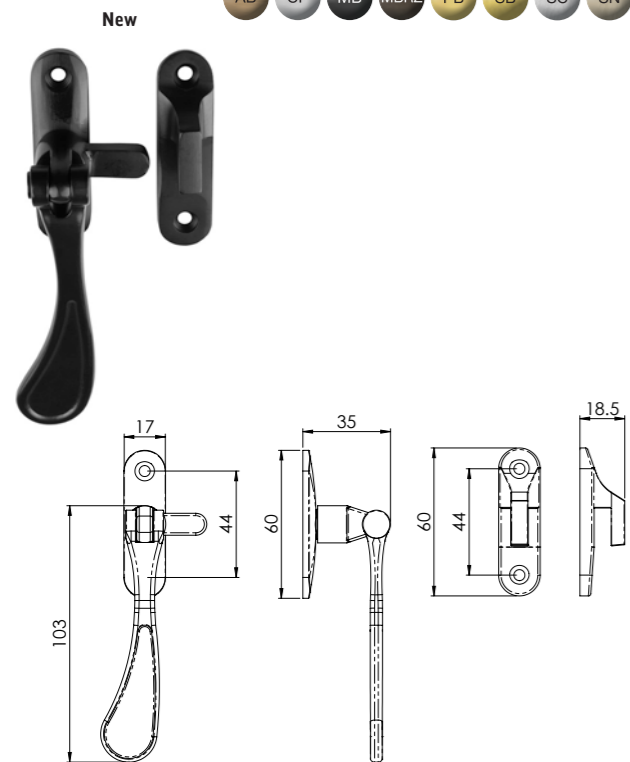
WF12B
305mm



	A	B	C	D	E	F	G	H
WF12B	290	16	48	20	15	28	40	15
WF12C	200	16	48	20	15	28	40	15
WF12S	240	16	48	20	15	28	40	15



M73
Reversible Casement Fastener
Reversible Pattern
Both Hook and Mortice Plate
(Not Suitable for Weather Stripped Windows)



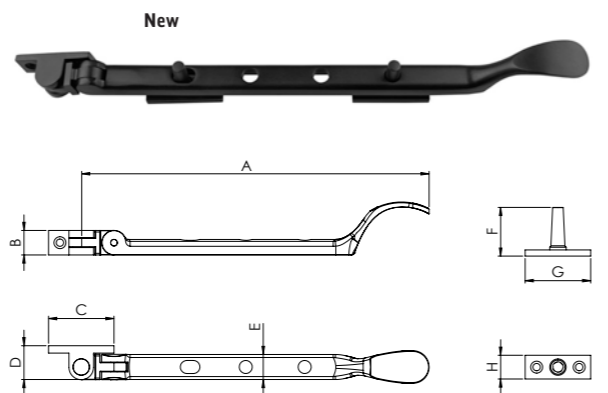
M44S
Victorian Casement Stay 254mm



M44C
202mm



M44B
305mm

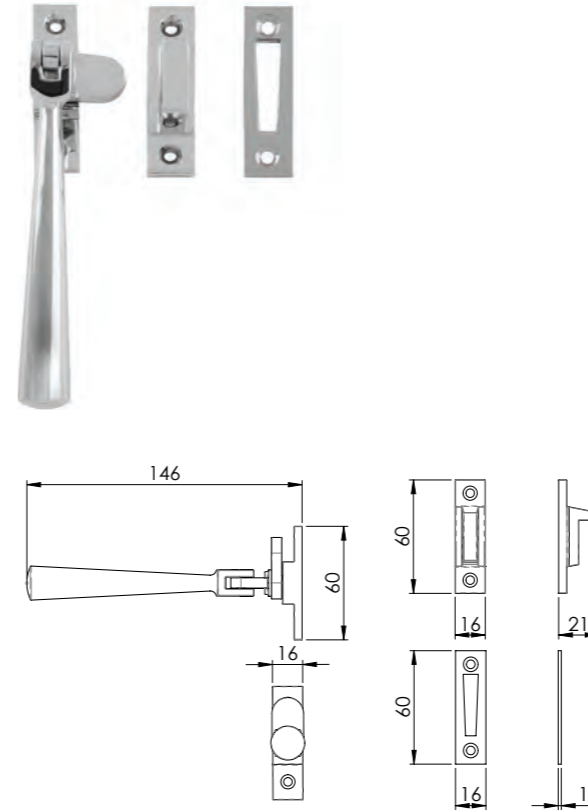


	A	B	C	D	E	F	G	H
M44C	205	14	41	19	15	28	40	15
M44S	265	14	41	19	15	28	40	15
M44B	305	14	41	19	15	28	40	15

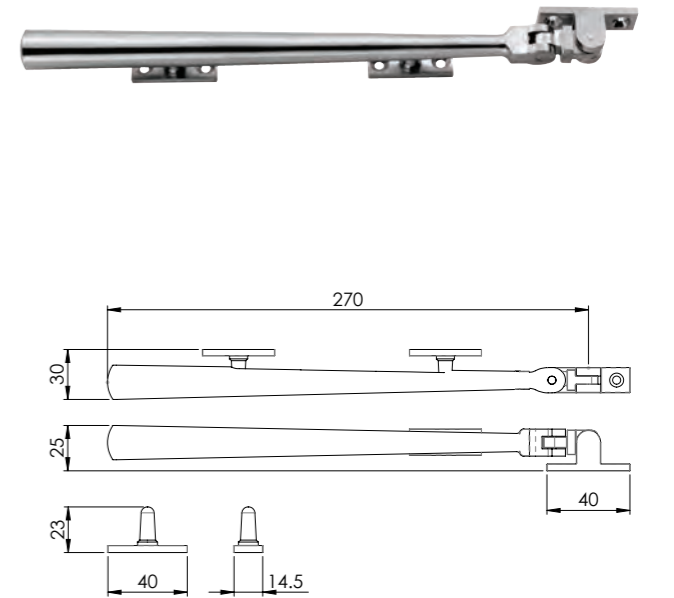
Contemporary Casement



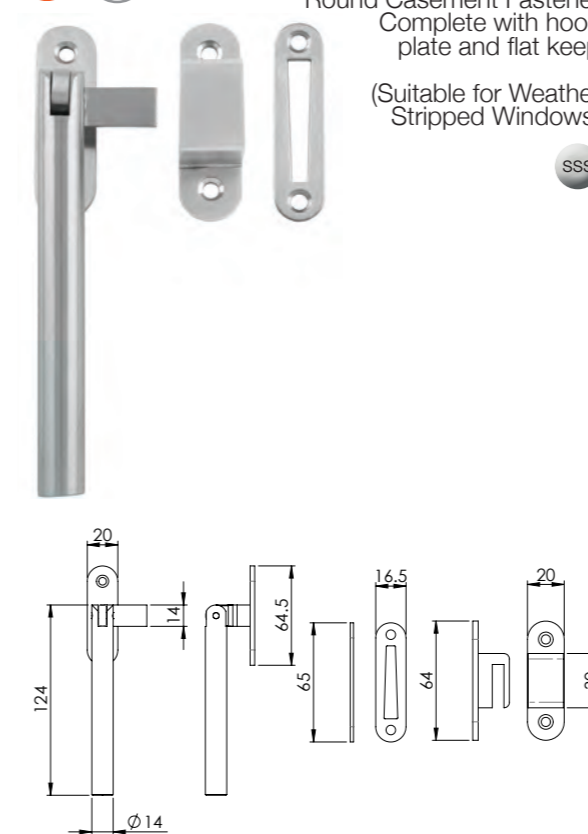
SZS73
Casement Fastener



SZS44S
Casement Stay



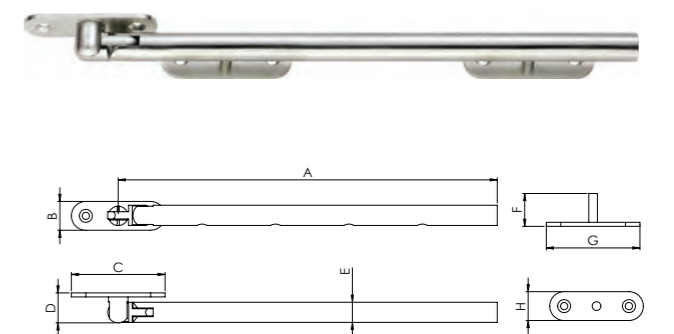
WF21
GRADE 316
Round Casement Fastener
Complete with hook
plate and flat keep
(Suitable for Weather Stripped Windows)



WF22
GRADE 316
Round Casement Stay

WF23

WF24

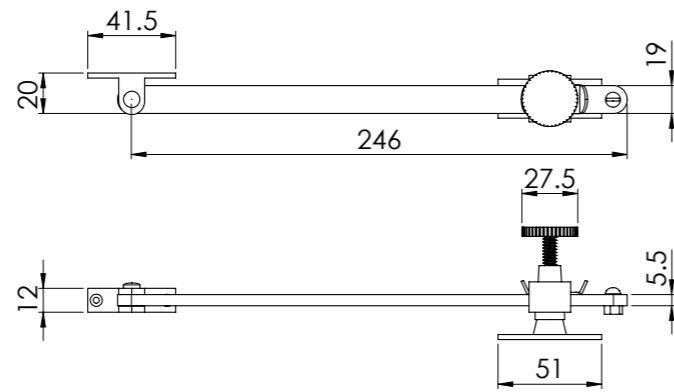


	A	B	C	D	E	F	G	H
WF22	263	20	65	21	14	23	64.5	20
WF23	213	20	65	21	14	23	64.5	20
WF24	315	20	65	21	14	23	64.5	20



AA73
Screw Down Pattern Casement Stay

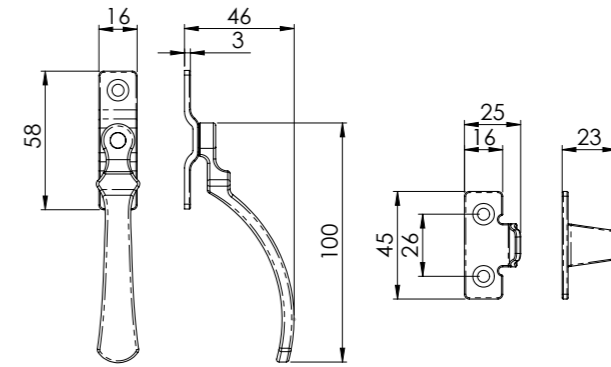
AA73



M73



V1005
Casement Fastener
Wedge Pattern
(Not Suitable for Weather
Stripped Windows)

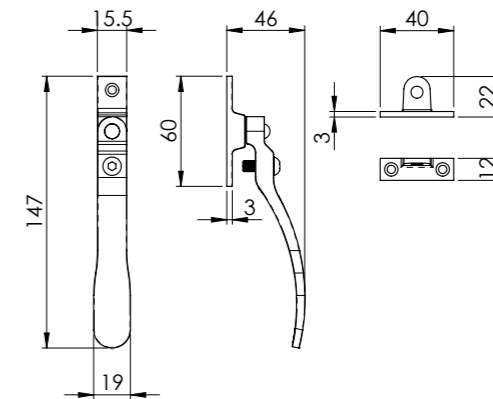


V1005LCK
Locking Casement Fastener

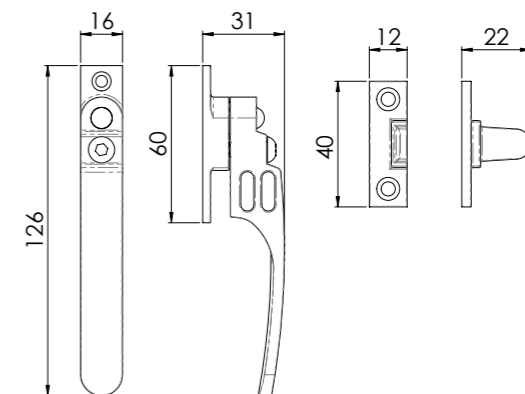


V1006LCK
Locking Casement Fastener
Wedge Pattern Locking
(Suitable for Weather Stripped Windows)

c/w Key



V1007LCK
Victorian Locking Casement
Fastener with Night Vent
(Suitable for Weather Stripped Windows)



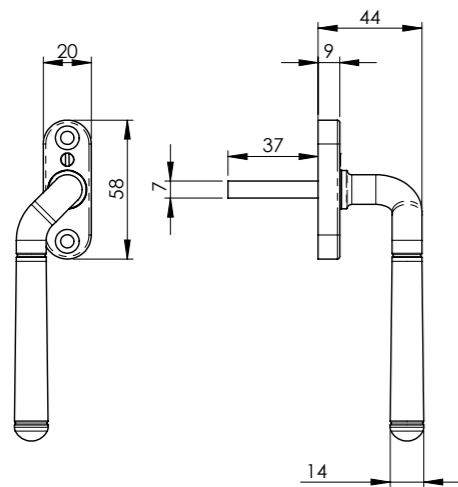
Espagnolette Handles



V1008LH
Cranked Locking Espag Handle - Left Hand

V1008RH
Right Hand

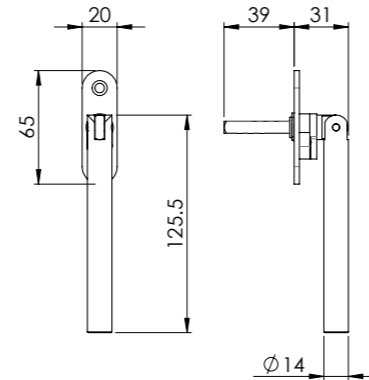
(Suitable for Weather Stripped Windows)



316

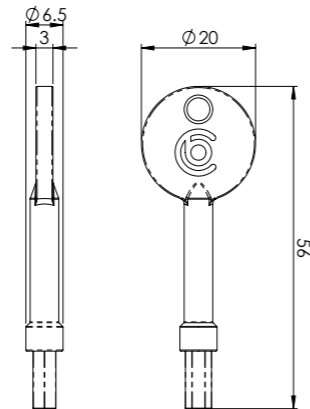
WF25
GRADE 316
Round Locking Espag Fastener

SSS



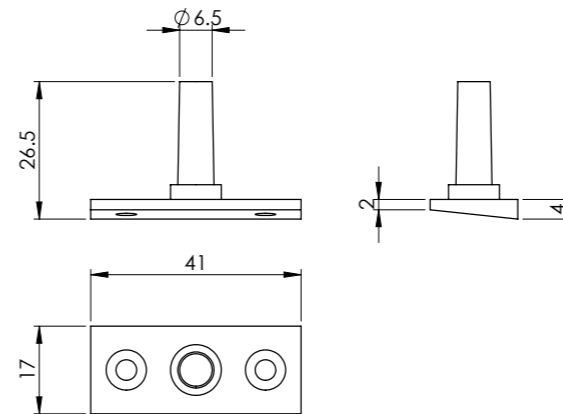
WFKEY/4MMCP
Key

CP



WF15
Ejma Pin
9° Bevel for EJMA Windows

CP PB SC

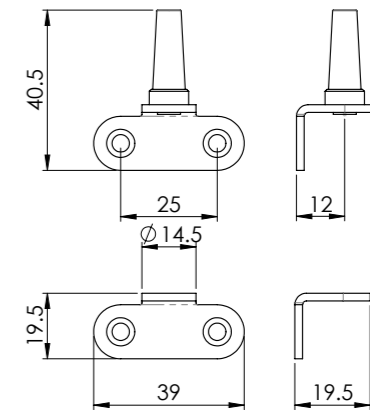


Pins and Stops



WF14
Pin for Flush Fitting Casement

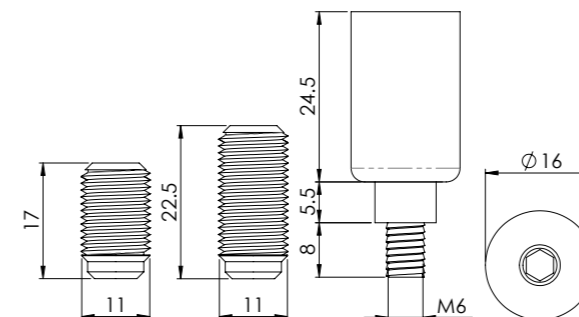
CP PB SC



WF18
Sash Window Stop
Supplied with 2 stops and 2 ferrules

c/w Key

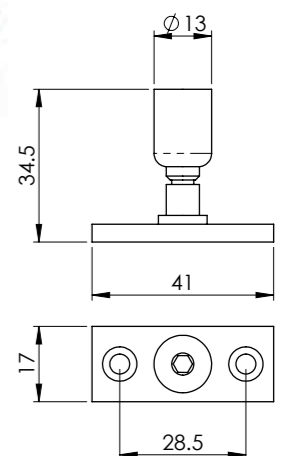
New AB CP MB MBRZ PB SB SC SN



WF17
Locking Casement Stay Pin

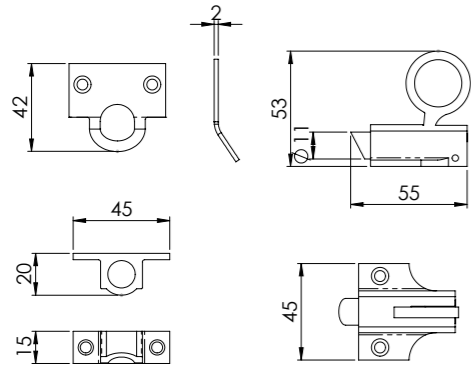
c/w Key

New AB CP FB MB MBRZ PB PCB SB SC SN

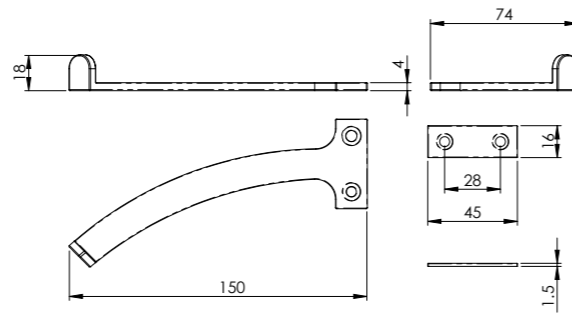




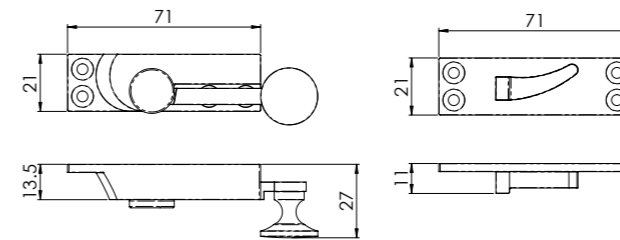
DK42
Fan Light Catch



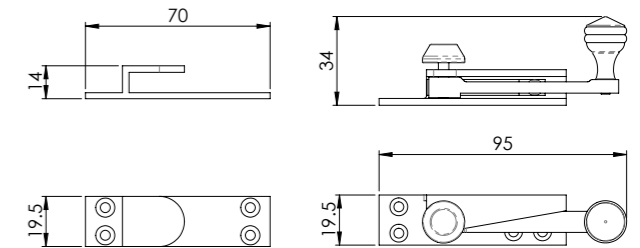
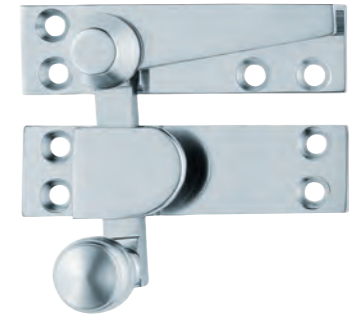
DK7
Quadrant Arm Stay
Supplied as pair



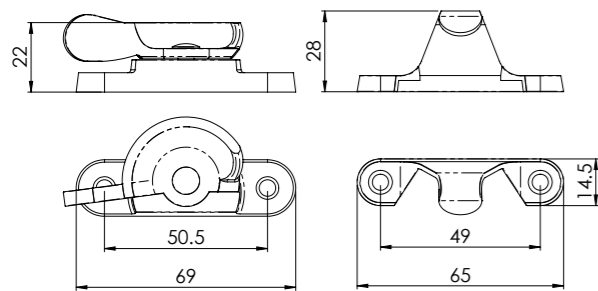
AA39
Quadrant Arm Sash Fastener



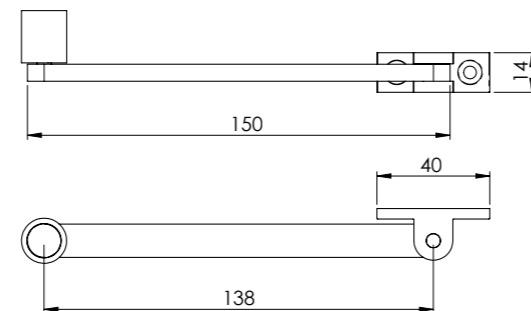
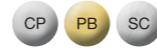
AQ39
Architectural Quality Quadrant
Sash Fastener



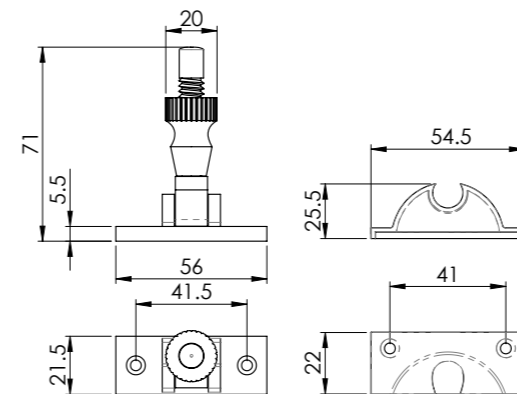
AA40
Fitch Pattern Sash Fastener
AA40LCK
Locking Fitch Pattern Sash Fastener



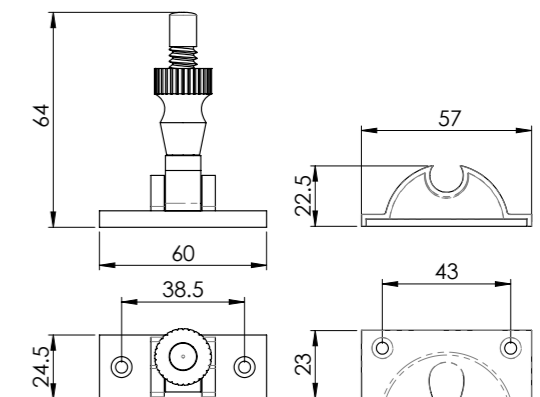
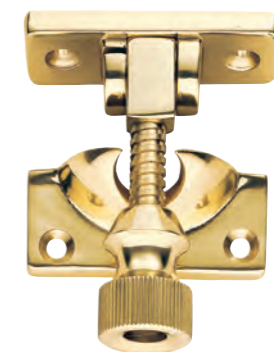
DK8
Roller Arm Stay



AA41
Brighton Pattern Sash Fastener



AQ43
Architectural Quality Brighton
Sash Fastener

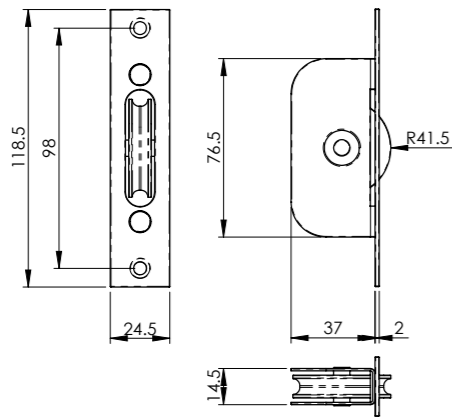


Vertical Sliding Sash Pulleys



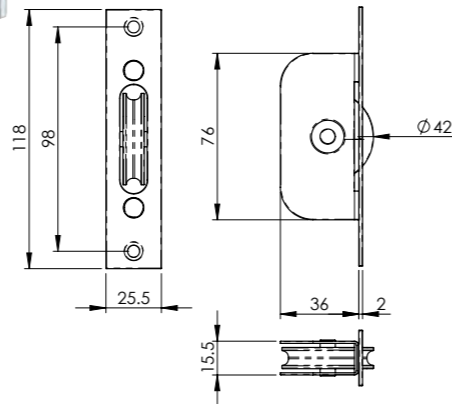
AQ91
Sash Window Axle Pulley
Galv Forend with Nylon Wheel

GALV



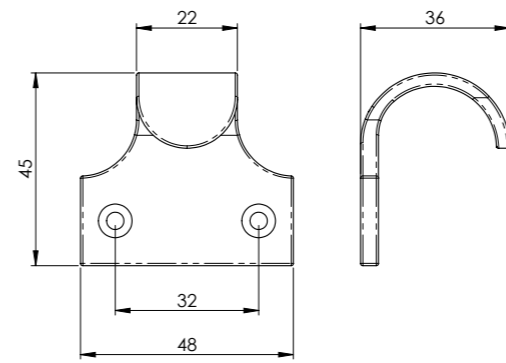
AQ92
Sash Window Axle Pulley
Square Forend with Nylon Wheel

CP PB SC



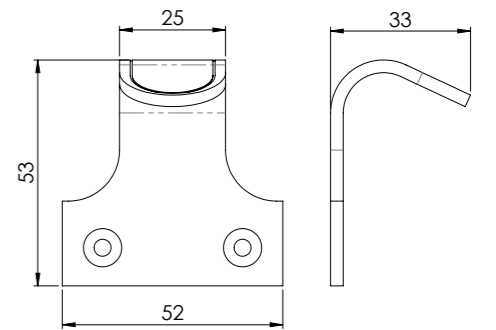
AA42
Sash Lift

CP PB SC



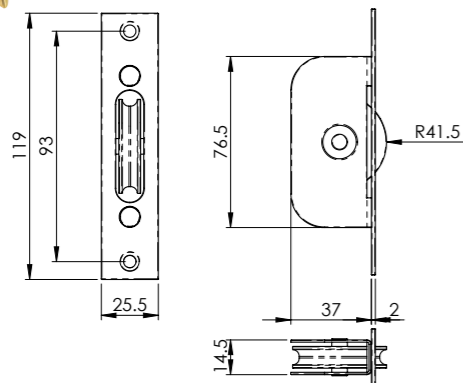
AQ42
Grooved Sash Lift

CP PB SC SN



AQ93
Sash Window Axle Pulley
Square Forend with Brass Wheel

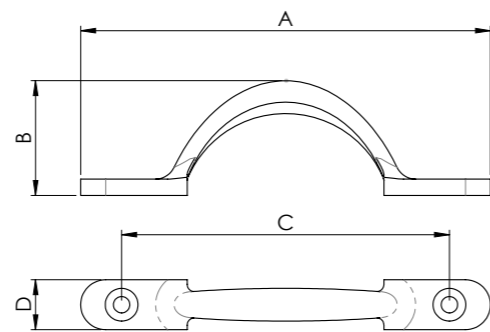
PB



AA96
Sash Handle 102mm

AA97
152mm

CP PB SC

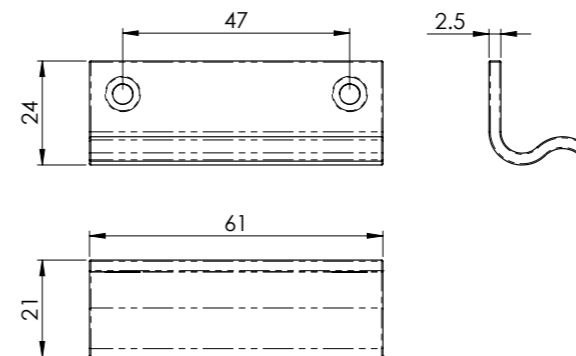


	A	B	C	D
AA96	102	27	73	12
AA97	157	32	134	13



AQ50
Sash Window Lift

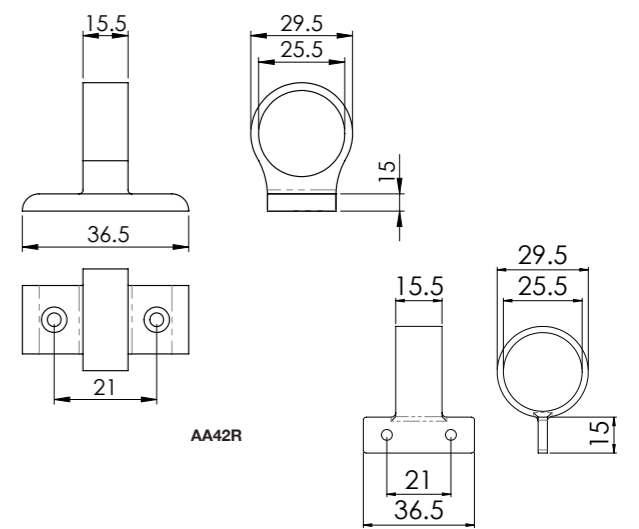
CP PB SC SN



AA42R1
Ring Sash Lift Vertical Fix

AA42R
Horizontal Fix

CP PB SC

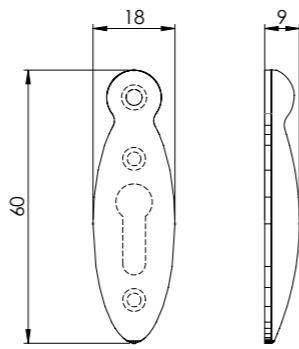
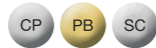


AA42R

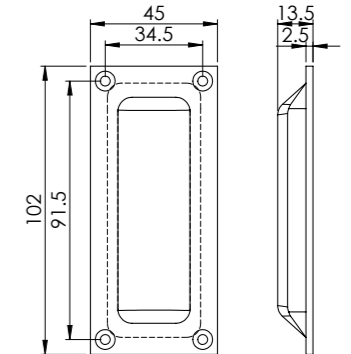
AA42R1



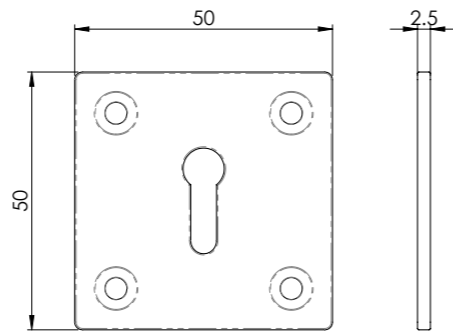
AQ45
Covered Peardrop
Escutcheon



AQ90
Flush Pull



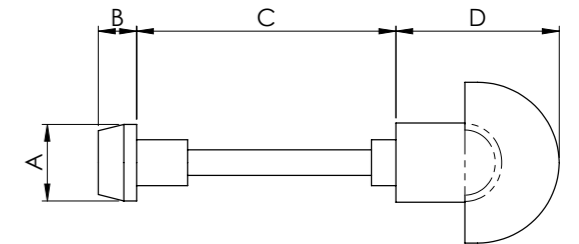
AA4
Square Escutcheon



SP104
Spare Thumbturn & Release
(4.9x67mm) Spindle



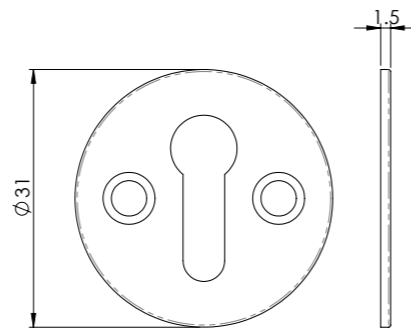
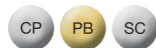
SP104L
(4.9x80mm)
Spindle



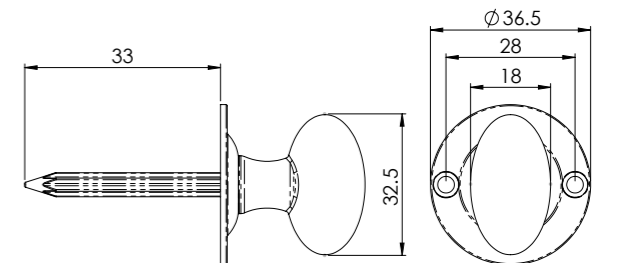
	A	B	C	D	E	F
SP104	15	7.5	50-70	32	7.5	31.5
SP104L	15	7.5	65-85	32	7.5	31.5



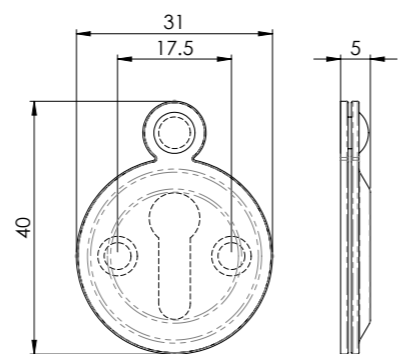
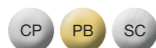
M41
Flat Escutcheon



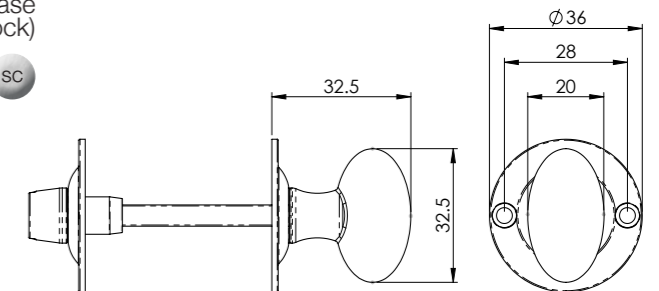
AA33
Oval Thumbturn
To Operate Rack Bolt
(Hardened Steel Spindle)



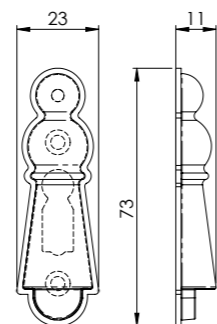
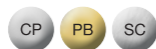
M42
Covered Escutcheon



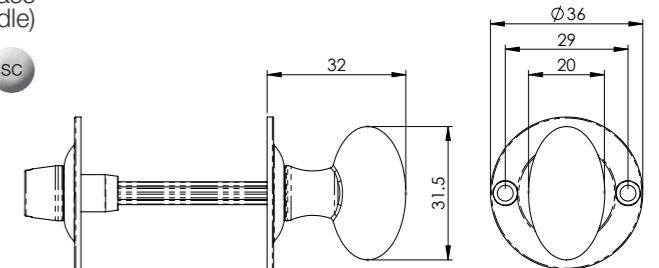
AA133
Oval Thumbturn & Release
(5mm Spindle for Bathroom Lock)



DK4
Large Covered Escutcheon



AA32
Oval Thumbturn & Release
(4.5x4.5mm Spline Spindle)



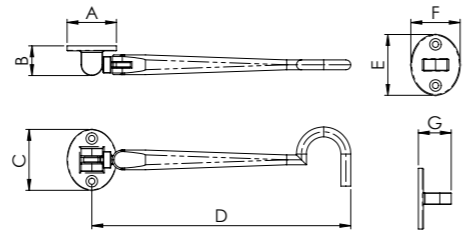


AA62
AA63
AA64
AA65
Heavyweight Silent Pattern Cabin Hook

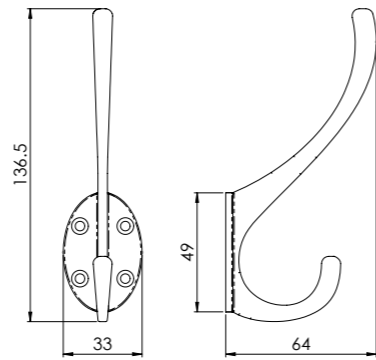


AA61
Lightweight

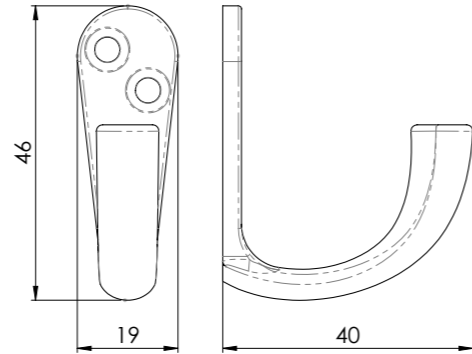
	A	B	C	D	E	F	G
AA61	23	16	35.5	97	35.5	23	17.5
AA62	30	19	36.5	154	36.5	30	20
AA63	30	19	36.5	196	36.5	30	20
AA64	32	20.5	40	245	40	32	22.5
AA65	32	20.5	40	300	40	32	22.5



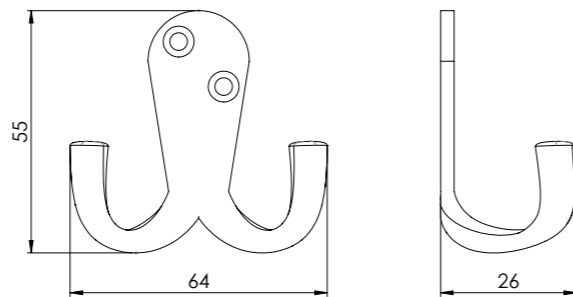
AA25
Hat & Coat Hook



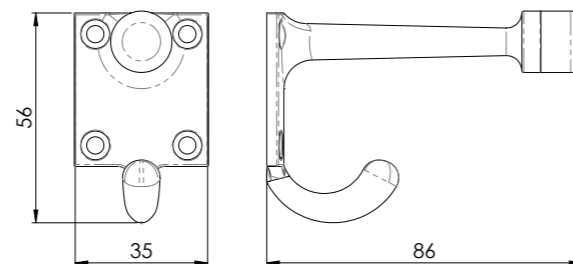
AA26
Victorian Robe Hook



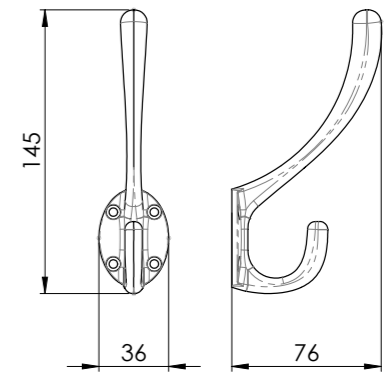
AA27
Victorian Double Robe Hook



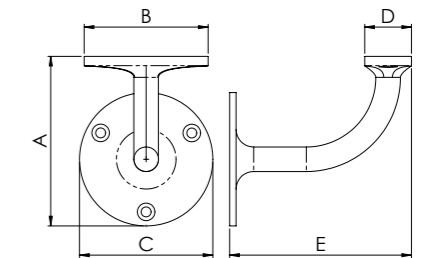
AA38
Hat & Coat Hook



AQ25
Heavy Hat & Coat Hook



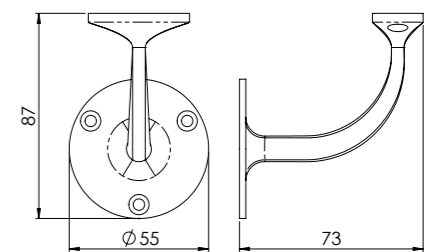
AA84
Heavy Handrail Bracket



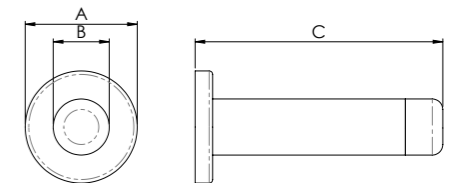
	A	B	C	D	E
AA84	72.5	53	56.5	19	80
AA86	79	55	56.5	19	91



AA85
Light Handrail Bracket



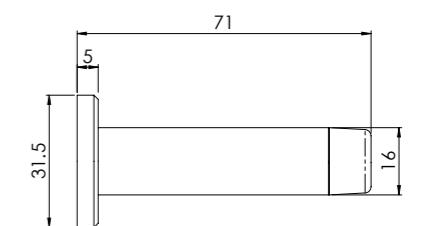
AA21
Door Stop with Rose



	A	B	C
AA21	32	16	70
AA23	32	16	83



AZ21
Wall Mounted Door Stop



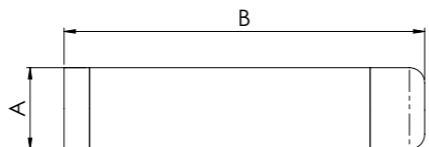
AZ22
Wall Mounted Door Stop





AA22
AA122
Wall Mounted Cylinder Door Stop

- CP
- PB
- SC

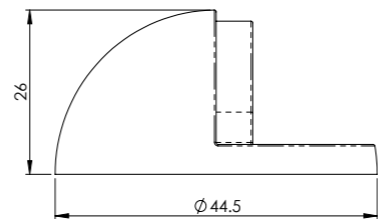


	A	B
AA22	16	70
AA122	16	115.5



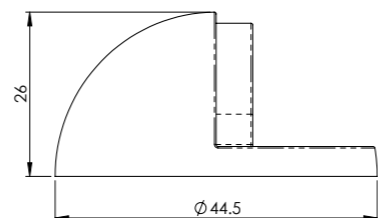
AA20
Oval Floor Mounted Door Stop

- AB
- CP
- MB
- MBRZ
- PB
- PN
- SB
- SC
- SN



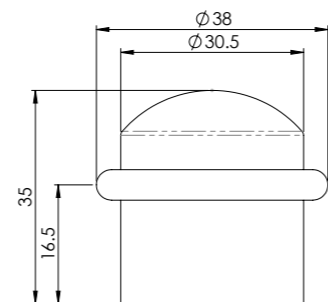
AZ20
Oval Floor Mounted Door Stop

- CP
- SC



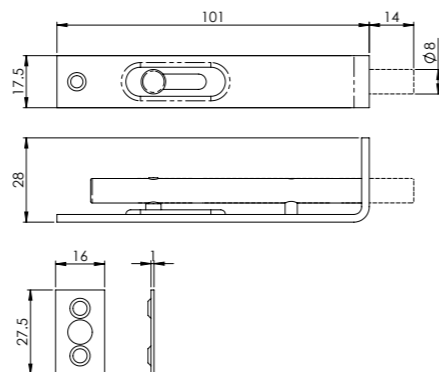
Floor Mounted Door Stop

- DSF5020SC** SC
- DSF2020PB** PB
- DSF3020CP** CP



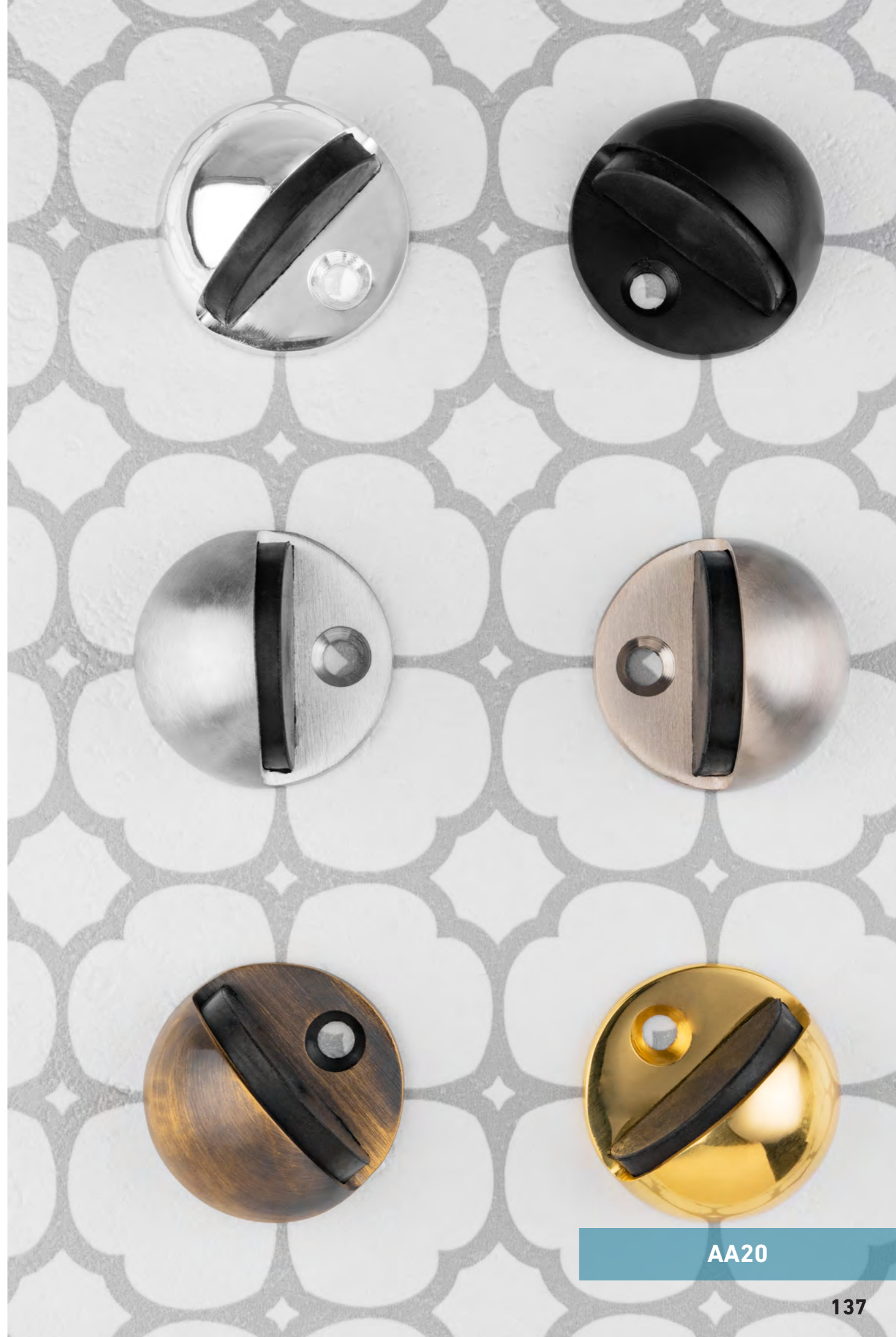
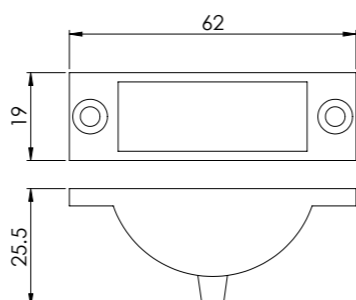
AA79
Sunk Slide Flush Bolt

- CP
- PB
- SC
- SN



AA813
Flush Bolt Socket
(15mm Slot Size)

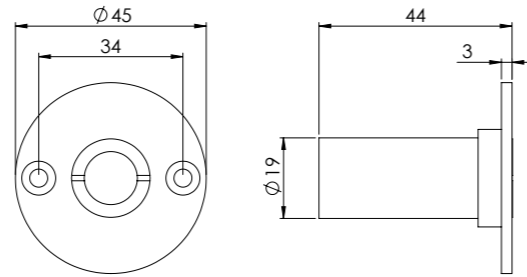
- CP
- SN



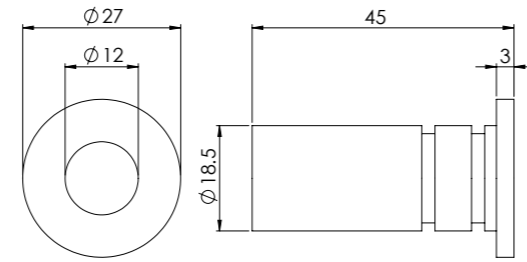
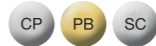
AA20



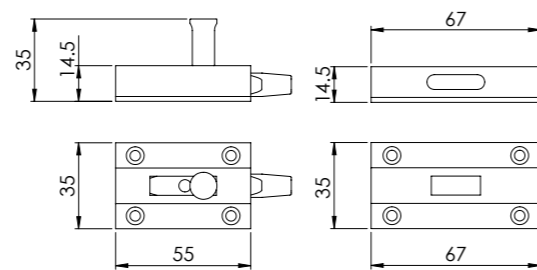
AQ46
Dust Excluding Socket
for Flush Bolts
Wood Variant



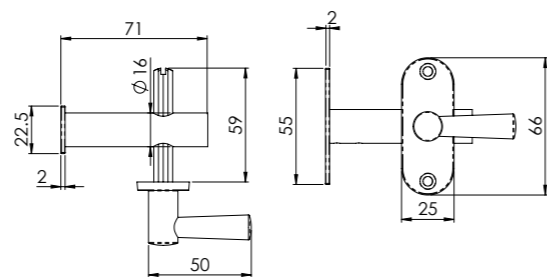
AQ47
Dust Excluding Socket
for Flush Bolts
Concrete Variant



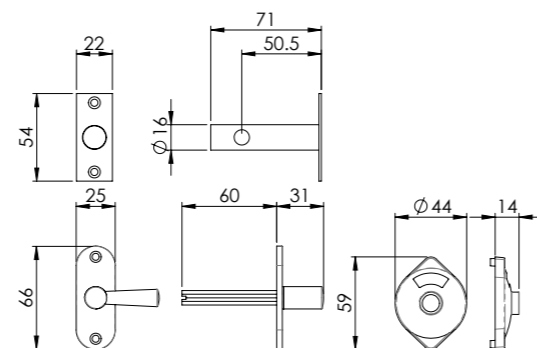
BR35
Bathroom Indicator Bolt



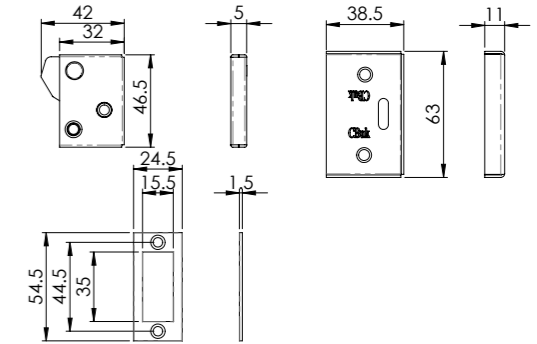
AA34
Security Bolt with Turn



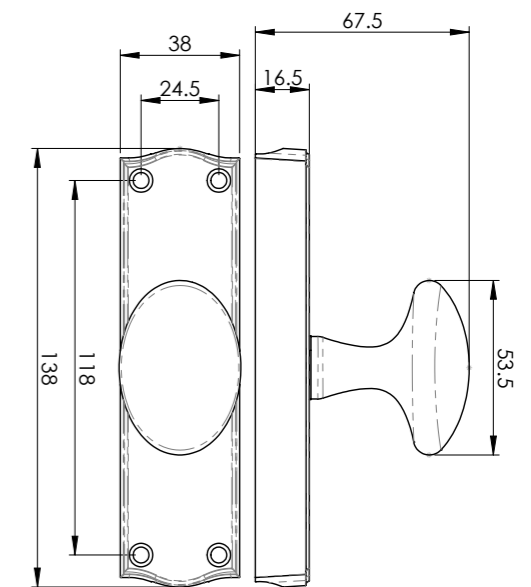
AA35
Indicator Bolt with
Emergency Release



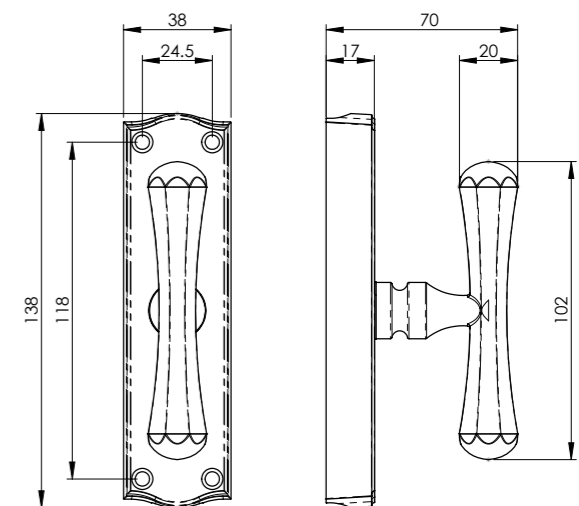
AA46
Easi-Keep Latch

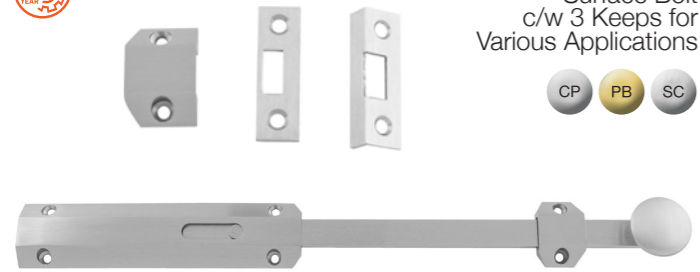


ES34
Espagnolette Bolt Oval Knob Set
With 2 No.x1.2m
Rods & Mortice Keeper
c/w Locking Keeper



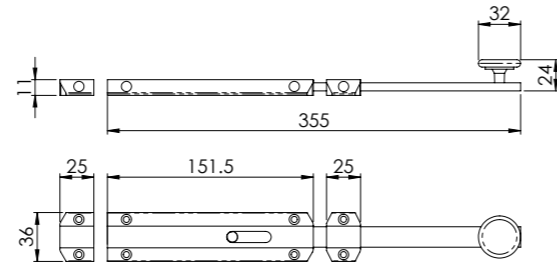
ES35
Espagnolette Bolt Tee Knob Set
With 2 No.x1.2m
Rods & Mortice Keeper





AQ82EX
Surface Bolt
c/w 3 Keeps for
Various Applications

CP PB SC

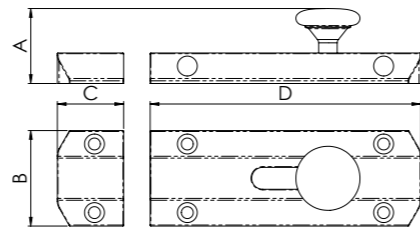


AQ81
AQ82
Architectural Surface Bolt
c/w 3 Keeps for
Various Applications

CP FB PB SC

AQ83
AQ84

CP PB SC



	A	B	C	D
AQ81	26	36	25	102
AQ82	26	36	25	152
AQ83	26	36	25	202
AQ84	26	36	25	252



AA80
AA81
Lever Action Flush Bolt

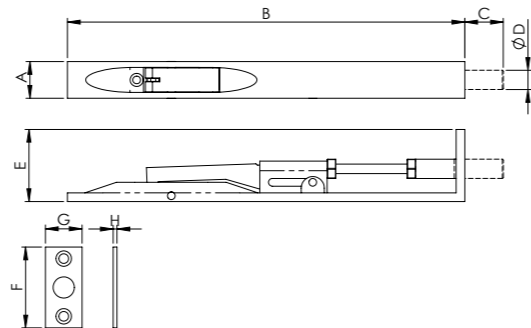
CP PB SC SN

AA810
AA812

CP PB SN

AA818
AA824

CP PB SC



	A	B	C	D	E	F	G	H
AA80	17.5	152	16	11	34	38	19	1
AA81	17.5	204	16	11	34	38	19	1
AA810	17.5	254	16	11	34	38	19	1
AA812	17.5	305	16	11	34	38	19	1
AA818	17.5	460	16	11	34	38	19	1
AA824	17.5	610	16	11	34	38	19	1

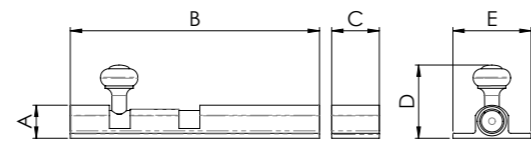


BB3808
BB3204
BB3206
BB3806

CP PB SC

BB3208

PB

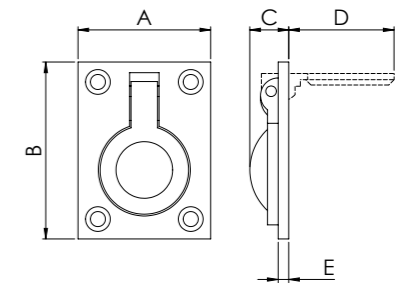


	A	B	C	D	E
BB3204	17	102	20	39	32
BB3206	17	152	20	39	32
BB3208	17	202	22	39	32
BB3806	17	152	20	39	38
BB3808	17	202	22	39	38

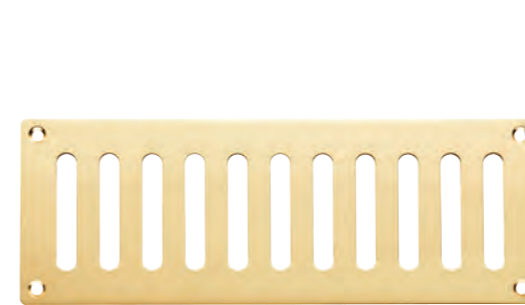


FRP50
FRP63
Flush Ring Pull

CP PB SC

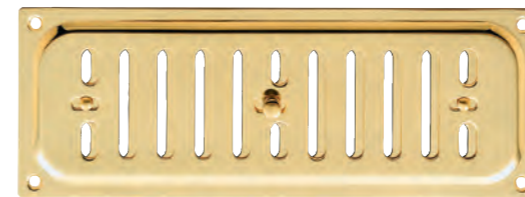
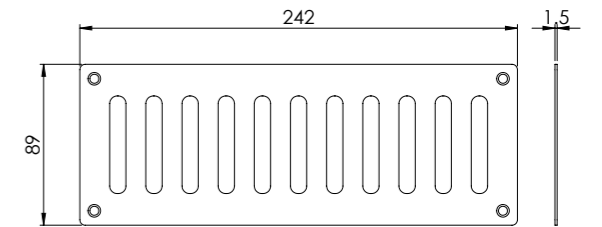


	A	B	C	D	E
FRP50	38	50	11	30.5	3
FRP63	49	63	12	38	3



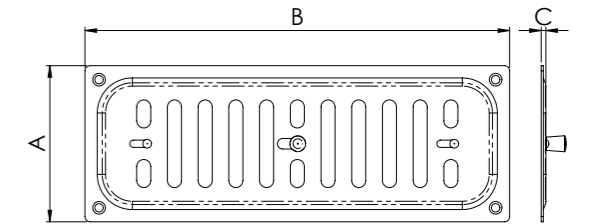
PL4
Plain Slot Brass Vent
Radius Corners

PB



HM4
HM5
Hit & Miss Brass Vent
Radius Corners

PB SSCP SSSC

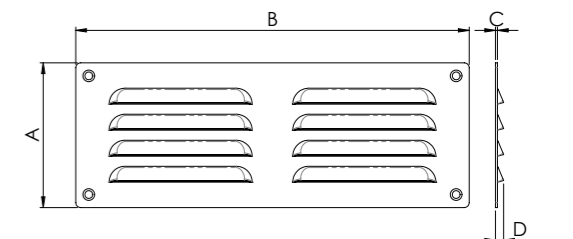


	A	B	C
HM4	89	242	2.5
HM5	165	242	3



HL4
HL5
HL6
Hooded Louvre Brass Vent

PB SSCP SSSC



	A	B	C	D
HL4	89	242	1	5
HL5	165	242	1	5
HL6	242	242	1	5

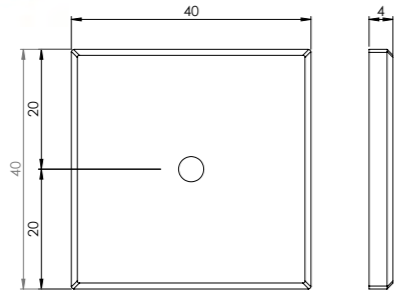
- © Products made from high quality brass, stainless steel, zinc and crystal
- © Contemporary, traditional and period designs available
- © A range of styles from elegantly simple to luxurious
- © Enhance cabinets with an array of styles to suit all tastes



BP40
Cabinet Hardware Backplate



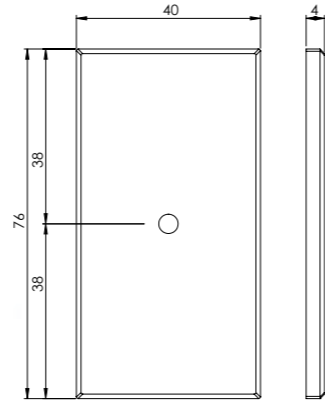
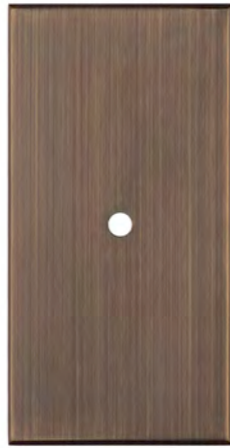
New



BP76
Cabinet Hardware Backplate



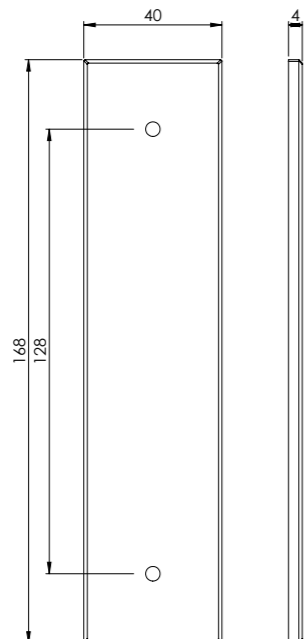
New



BP168
Cabinet Hardware Backplate



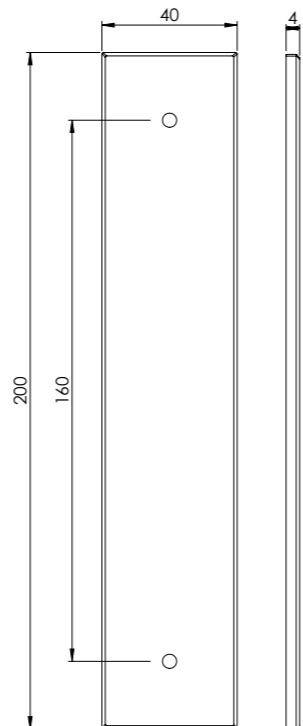
New



BP200
Cabinet Hardware Backplate



New



BP710SN168SN

BP750SB40SB



FTD750
Warwick Cabinet Knob

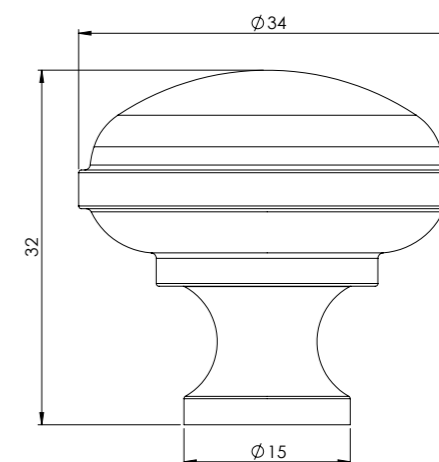


M4
T
25

New



FTD750MB
Matt Black



FTD750AB
Antique Brass



FTD750CP
Polished Chrome



FTD750PB
Polished Brass



FTD750PN
Polished Nickel



FTD750SB
Satin Brass



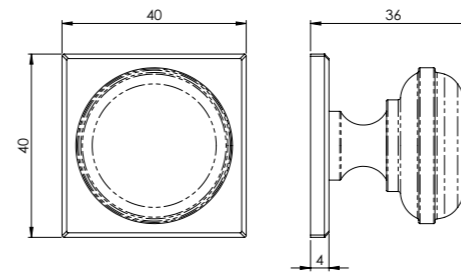
FTD750SN
Satin Nickel



BP750
Warwick Cabinet Knob



BP750MB40MB
Matt Black



BP750AB40AB
Antique Brass



BP750CP40CP
Polished Chrome



BP750PB40PB
Polished Brass



BP750PN40PN
Polished Nickel



BP750SB40SB
Satin Brass



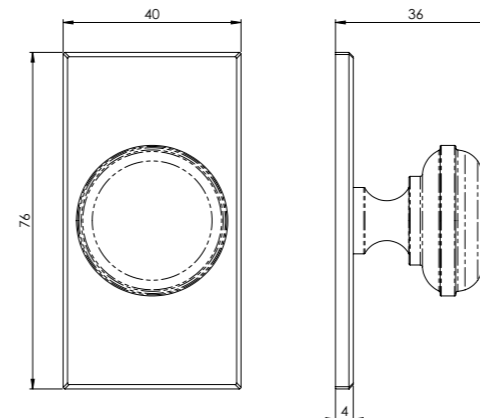
BP750SN40SN
Satin Nickel



BP750
Warwick Cabinet Knob



BP750MB76MB
Matt Black



BP750AB76AB
Antique Brass



BP750CP76CP
Polished Chrome



BP750PB76PB
Polished Brass



BP750PN76PN
Polished Nickel

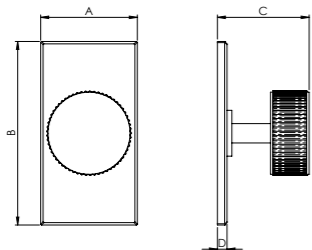
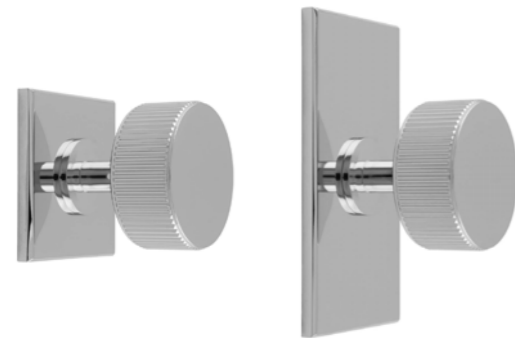


BP750SB76SB
Satin Brass



BP750SN76SN
Satin Nickel

BP750PB76PB

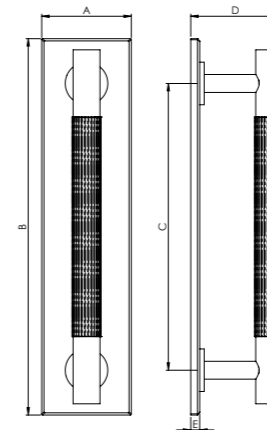


BP713 Lines Radio Knob on Backplate



	A	B	C	D	
BP713AB40AB	40	40	38	4	AB
BP713CP40CP	40	40	38	4	CP
BP713MB40MB	40	40	38	4	MB
BP713PN40PN	40	40	38	4	PN
BP713SB40SB	40	40	38	4	SB
BP713SN40SN	40	40	38	4	SN

	A	B	C	D	
BP713AB76AB	40	76	38	4	AB
BP713CP76CP	40	76	38	4	CP
BP713MB76MB	40	76	38	4	MB
BP713PN76PN	40	76	38	4	PN
BP713SB76SB	40	76	38	4	SB
BP713SN76SN	40	76	38	4	SN

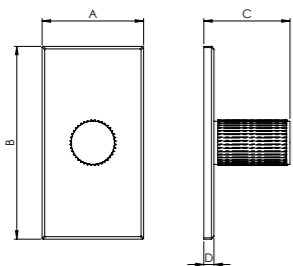
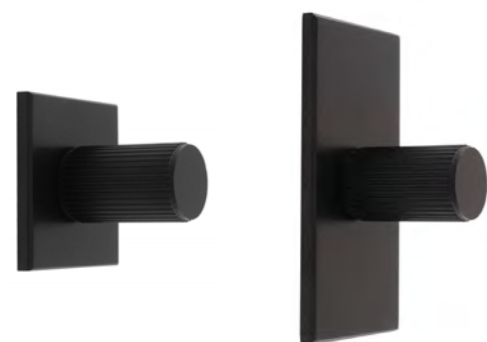


BP710 Lines Pull Handle on Backplate



	A	B	C	D	E	
BP710CAB168AB	40	168	128	41.5	4	AB
BP710CP168CP	40	168	128	41.5	4	CP
BP710CMB168MB	40	168	128	41.5	4	MB
BP710CPN168PN	40	168	128	41.5	4	PN
BP710CSB168SB	40	168	128	41.5	4	SB
BP710CSN168SN	40	168	128	41.5	4	SN

	A	B	C	D	E	
BP710CAB200AB	40	200	160	41.5	4	AB
BP710CP200CP	40	200	160	41.5	4	CP
BP710CMB200MB	40	200	160	41.5	4	MB
BP710CPN200PN	40	200	160	41.5	4	PN
BP710CSB200SB	40	200	160	41.5	4	SB
BP710CSN200SN	40	200	160	41.5	4	SN

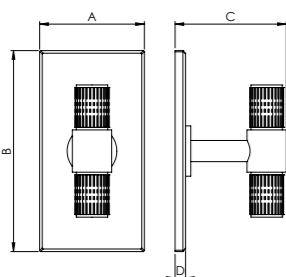


BP712 Lines Knob on Backplate



	A	B	C	D	
BP712AB40AB	40	40	34	4	AB
BP712CP40CP	40	40	34	4	CP
BP712MB40MB	40	40	34	4	MB
BP712PN40PN	40	40	34	4	PN
BP712SB40SB	40	40	34	4	SB
BP712SN40SN	40	40	34	4	SN

	A	B	C	D	
BP712AB76AB	40	76	34	4	AB
BP712CP76CP	40	76	34	4	CP
BP712MB76MB	40	76	34	4	MB
BP712PN76PN	40	76	34	4	PN
BP712SB76SB	40	76	34	4	SB
BP712SN76SN	40	76	34	4	SN

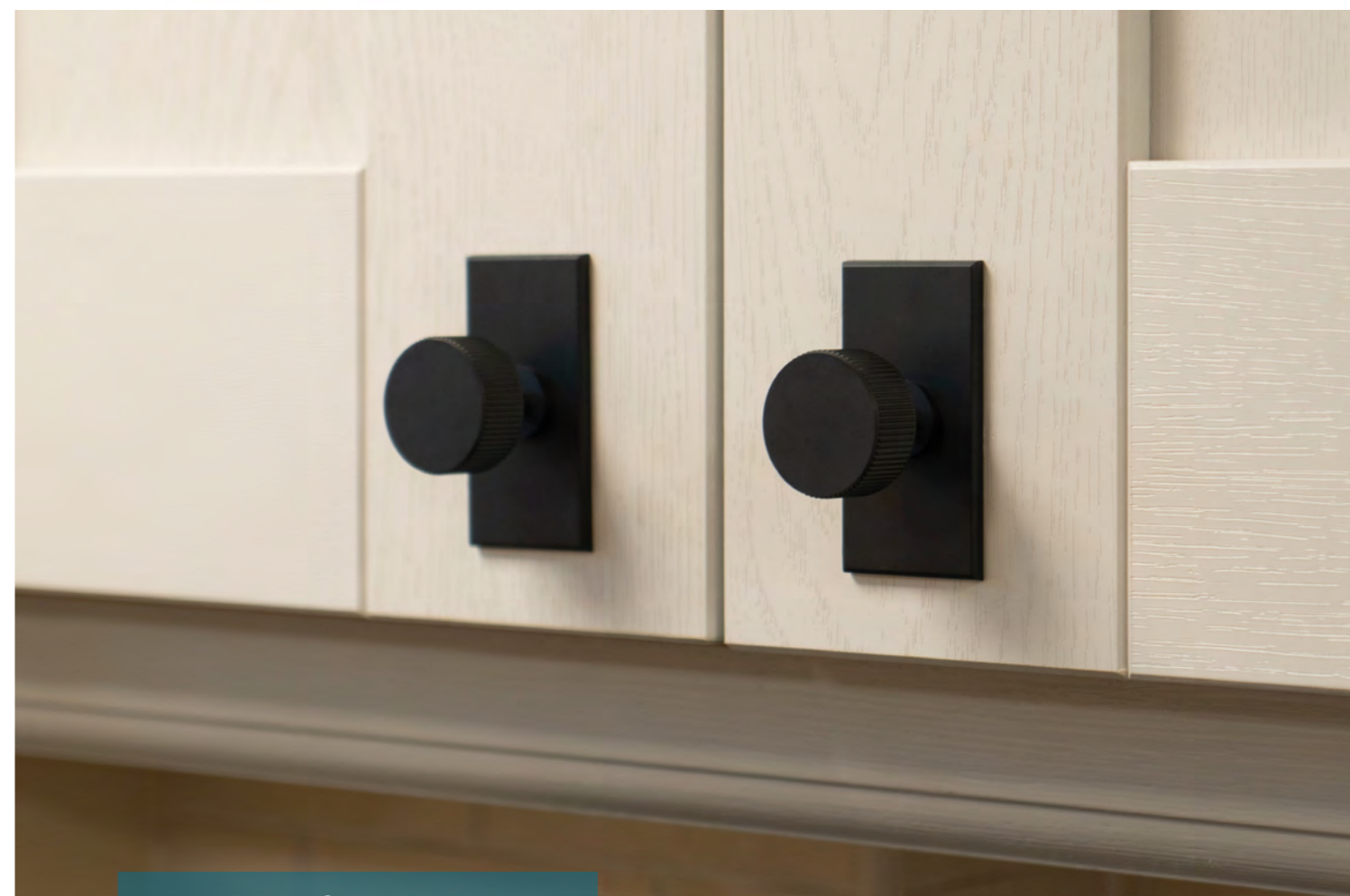


BP711 Lines T-bar on Backplate

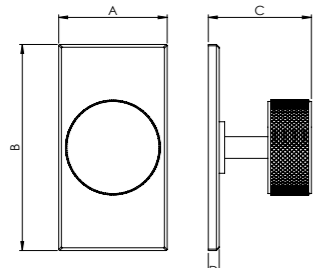
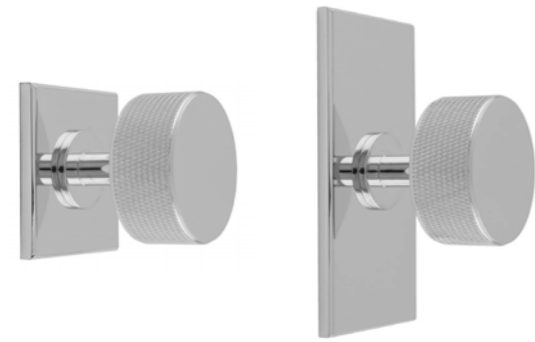


	A	B	C	D	
BP711AB40AB	40	40	43	4	AB
BP711CP40CP	40	40	43	4	CP
BP711MB40MB	40	40	43	4	MB
BP711PN40PN	40	40	43	4	PN
BP711SB40SB	40	40	43	4	SB
BP711SN40SN	40	40	43	4	SN

	A	B	C	D	
BP711AB76AB	40	76	43	4	AB
BP711CP76CP	40	76	43	4	CP
BP711MB76MB	40	76	43	4	MB
BP711PN76PN	40	76	43	4	PN
BP711SB76SB	40	76	43	4	SB
BP711SN76SN	40	76	43	4	SN



BP713MB76MB

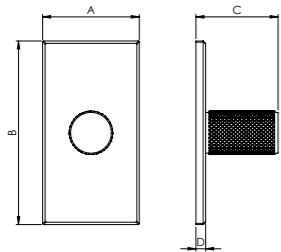
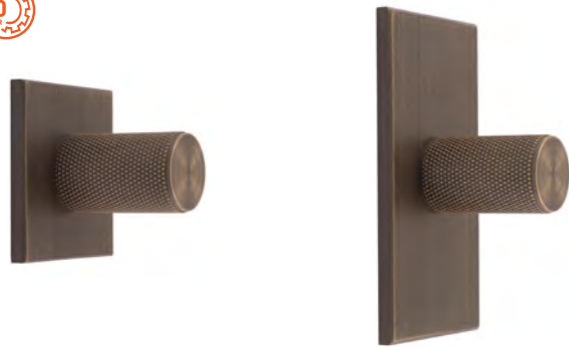


BP703 Knurled Radio Knob on Backplate



	A	B	C	D
BP703AB40AB	40	40	38	4
BP703CP40CP	40	40	38	4
BP703MB40MB	40	40	38	4
BP703PN40PN	40	40	38	4
BP703SB40SB	40	40	38	4
BP703SN40SN	40	40	38	4

	A	B	C	D
BP703AB76AB	40	76	38	4
BP703CP76CP	40	76	38	4
BP703MB76MB	40	76	38	4
BP703PN76PN	40	76	38	4
BP703SB76SB	40	76	38	4
BP703SN76SN	40	76	38	4

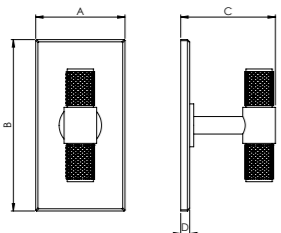
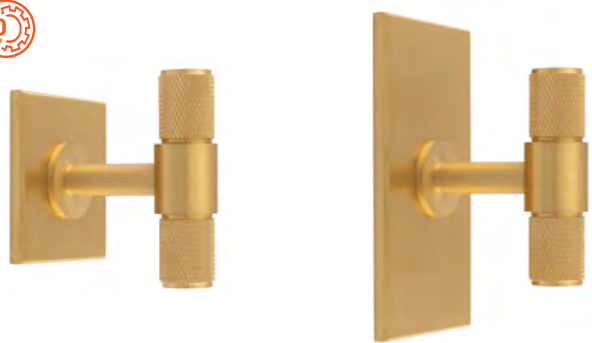


BP702 Knurled Knob on Backplate



	A	B	C	D
BP702AB40AB	40	40	34	4
BP702CP40CP	40	40	34	4
BP702MB40MB	40	40	34	4
BP702PN40PN	40	40	34	4
BP702SB40SB	40	40	34	4
BP702SN40SN	40	40	34	4

	A	B	C	D
BP702AB76AB	40	76	34	4
BP702CP76CP	40	76	34	4
BP702MB76MB	40	76	34	4
BP702PN76PN	40	76	34	4
BP702SB76SB	40	76	34	4
BP702SN76SN	40	76	34	4

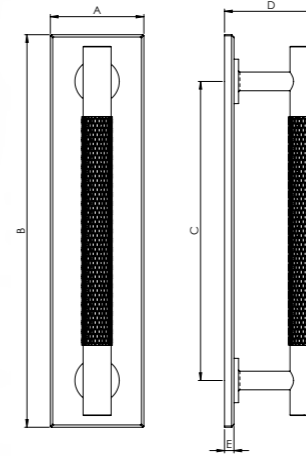


BP701 Knurled T-bar on Backplate



	A	B	C	D
BP701AB40AB	40	40	43	4
BP701CP40CP	40	40	43	4
BP701MB40MB	40	40	43	4
BP701PN40PN	40	40	43	4
BP701SB40SB	40	40	43	4
BP701SN40SN	40	40	43	4

	A	B	C	D
BP701AB76AB	40	76	43	4
BP701CP76CP	40	76	43	4
BP701MB76MB	40	76	43	4
BP701PN76PN	40	76	43	4
BP701SB76SB	40	76	43	4
BP701SN76SN	40	76	43	4



BP700 Knurled Pull Handle on Backplate



	A	B	C	D	E
BP700CAB168AB	40	168	128	40	4
BP700CCP168CP	40	168	128	40	4
BP700CMB168MB	40	168	128	40	4
BP700CPN168PN	40	168	128	40	4
BP700CSB168SB	40	168	128	40	4
BP700CSN168SN	40	168	128	40	4

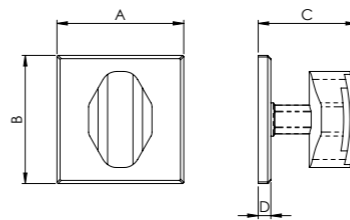
	A	B	C	D	E
BP700CAB200AB	40	200	160	40	4
BP700CCP200CP	40	200	160	40	4
BP700CMB200MB	40	200	160	40	4
BP700CPN200PN	40	200	160	40	4
BP700CSB200SB	40	200	160	40	4
BP700CSN200SN	40	200	160	40	4



BP713PN40PN



BP502CMB200MB

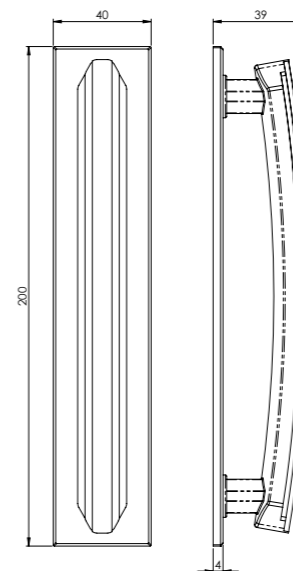


	A	B	C	D
BP501BCP40CP	40	40	31	4
BP501BMB40MB	40	40	31	4
BP501BSN40SN	40	40	31	4

	A	B	C	D
BP501BCP76CP	40	76	31	4
BP501BMB76MB	40	76	31	4
BP501BSN76SN	40	76	31	4



BP501B
Art Deco Knob on Backplate



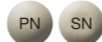
BP502C
Art Deco Pull Handle on Backplate



BP502CCP200CP	
BP502CMB200MB	
BP502CSN200SN	

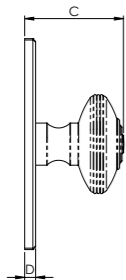
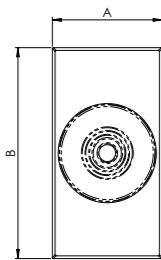


BP720A Anderson Knob on Backplate



	A	B	C	D
BP720APN40PN	40	40	37	4
BP720ASN40PN	40	40	37	4

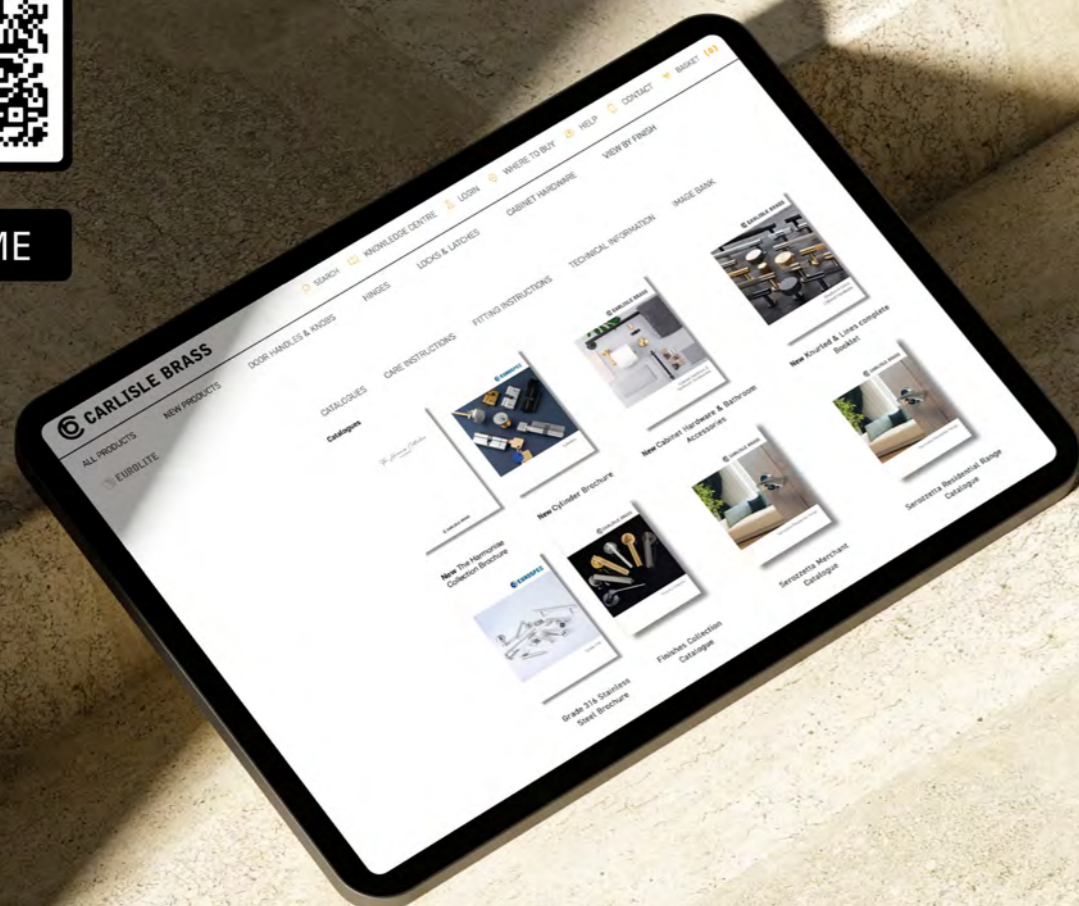
	A	B	C	D
BP720APN76PN	40	76	37	4
BP720ASN76PN	40	76	37	4



Download the brochure here



SCAN ME



The Harmonise Collection

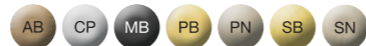
SOLID BRASS



BP720APN76PN



FTD751
Warwick Cup Pull



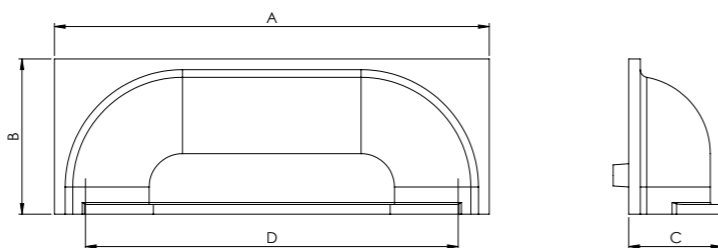
M4
T 25

New



FTD751BAB
Antique Brass

FTD751AAB
Antique Brass



	A	B	C	D
FTD751A	112	40	24	96
FTD751B	208	40	24	192



FTD751ACP
Polished Chrome



FTD751AMB
Matt Black



FTD751APB
Polished Brass



FTD751APN
Polished Nickel



FTD751ASB
Satin Brass



FTD751ASN
Satin Nickel



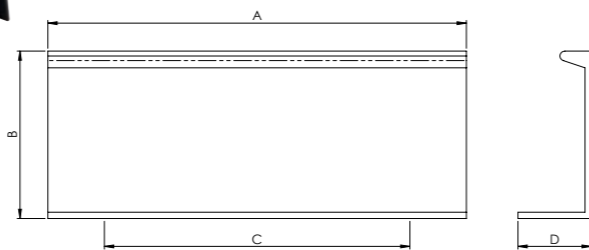
FTD751AAB



New



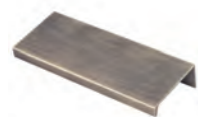
FTD302MB
Matt Black



FTD302
Edge Pull



	A	B	C	D
FTD302A	40	40	25	17.5
FTD302B	100	40	80	17.5
FTD302C	200	40	160	17.5



FTD302AB
Antique Brass



FTD302CP
Polished Chrome



FTD302SB
Satin Brass



FTD302SN
Satin Nickel



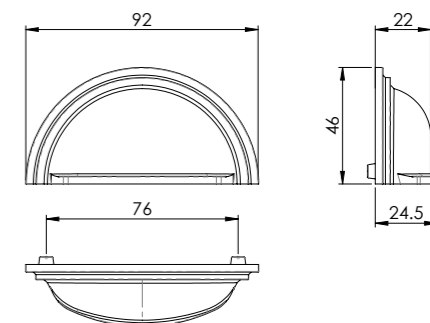
FTD302MB



C47
Solid Brass Victorian Cupboard Pull



Matching cupboard knob M47 on page 166



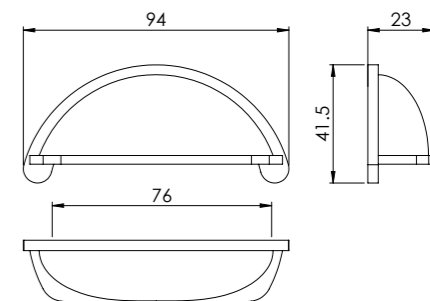
M3.5
T
25
&
62



FTD557
Cottage Cupboard Pull



Matching cupboard knob FTD524 on page 171



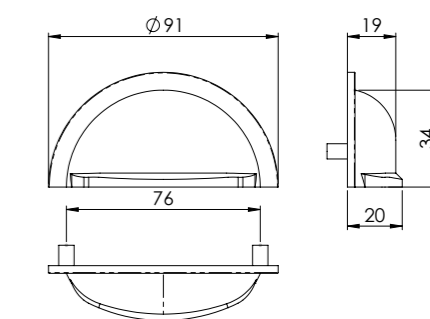
M4
T
25



FTD558
Oxford Cupboard Pull



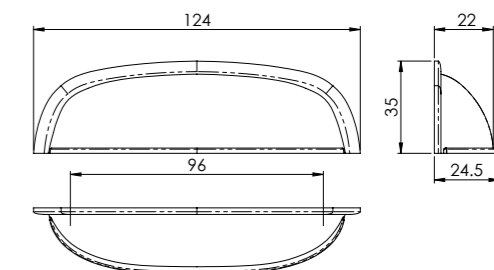
Matching cupboard knob FTD524 on page 171



M4
T
25



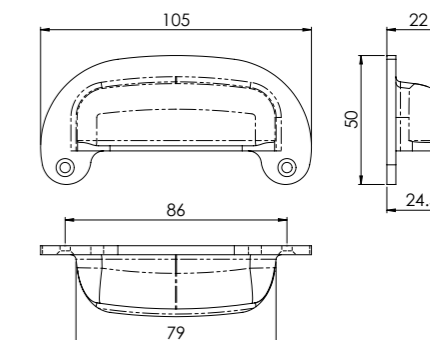
FTD559
Modern Shaker Cupboard Pull



M4
T
25



FTD5515
Oval Plate Cupboard Pull



M3
T
18



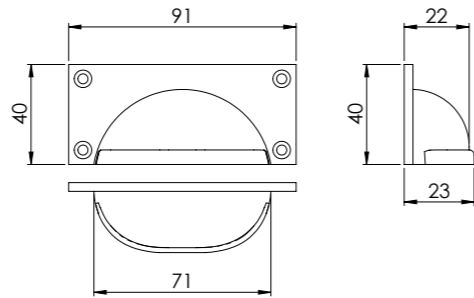
FTD520
Square Plate Cupboard Pull

Matching cupboard knob FTD1078B page 175

M3
T 18



PE

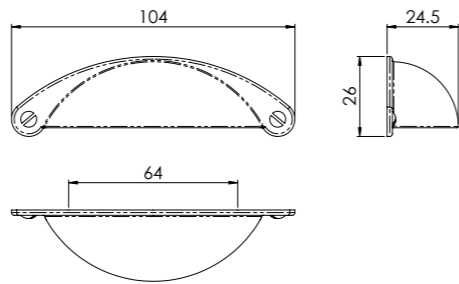


FTD555
Traditional Cupboard Pull

AB ABB PT SB SN



M4
T 25

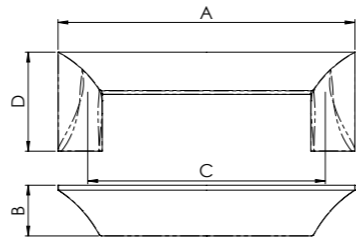


Matching cupboard knob FTD515 on page 174
Matching cupboard handles FTD505 on page 188 & FTD520 on page 189



FTD935
Capori Cupboard Pull

CP



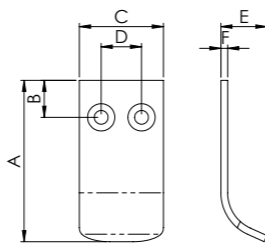
M4
T 20

	A	B	C	D
FTD935A	120	21	96	40
FTD935D	216	21	192	40
FTD935C	343	21	320	40



FTD3015
Solid Brass Hidden Finger Pull

CP SC



M3
T 20

	A	B	C	D	E	F
FTD3015A	48	11	25	12	14	2
FTD3015B	48	11	50	29	14	2
FTD3015C	48	11	75	52	14	2

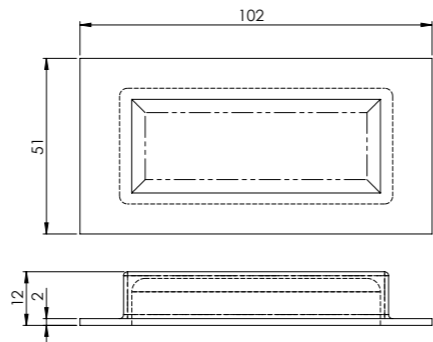


FPH1000
Rectangular Flush Pull

New New
BSS MB SPVD SSS



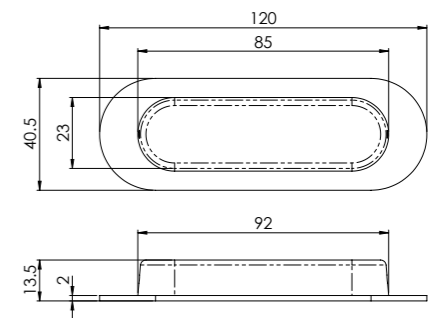
M3
T 20



New

FPH1001
Radius Flush Pull

New New
BSS MB SPVD SSS

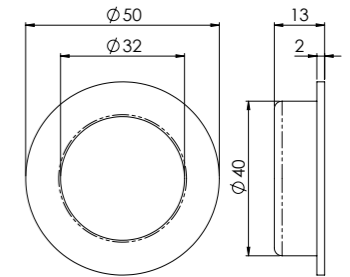


M3
T 20



FPH1002
Circular Flush Pull

BSS SSS

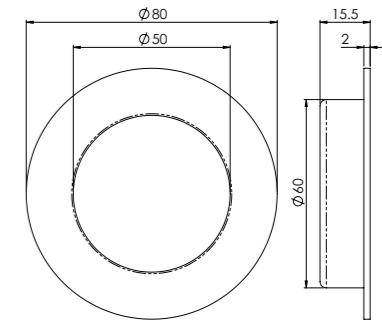


M3
T 20



FPH1003
Circular Flush Pull

BSS SSS

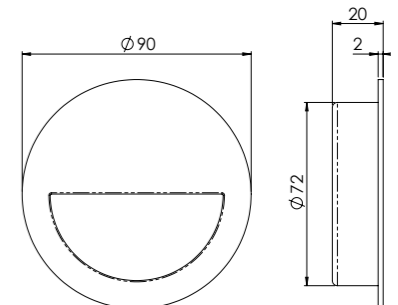


M4
T 25



FPH1004
Circular Flush Pull

BSS SSS

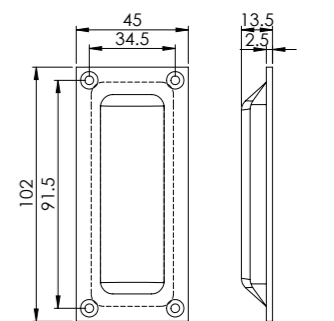


M3
T 20



AQ90
Solid Brass Flush Pull

CP PB SC

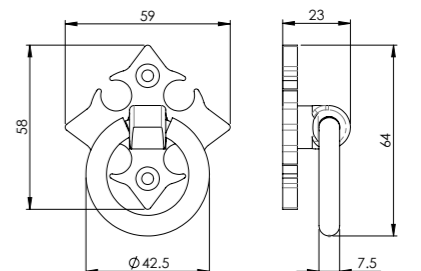


M3
T 10



FTD1044
Ring Pull on Gothic Cross Backplate

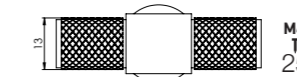
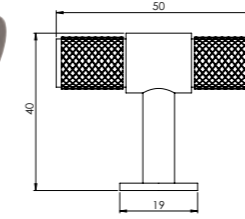
BA



M3
T 25



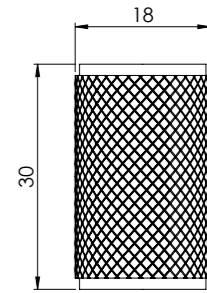
FTD701
Knurled T-Bar Knob



Matching cupboard handle FTD700 on page 177



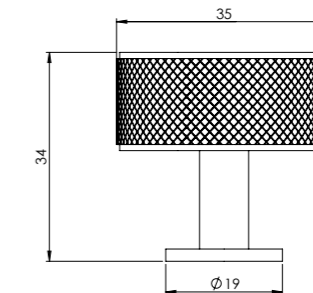
FTD702
Knurled Knob



Matching cupboard handle FTD700 on page 177



New



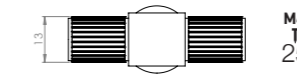
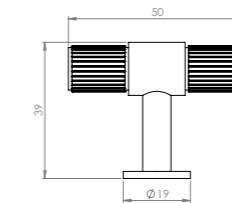
FTD703
Knurled Radio Knob



Matching cupboard handle FTD700 on page 177



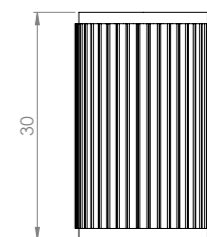
FTD711
Lines T-Bar Knob



Matching cupboard handle FTD710 on page 177



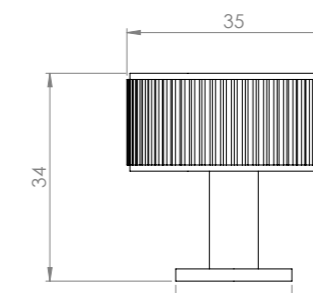
FTD712
Lines Knob



Matching cupboard handle FTD710 on page 177



New

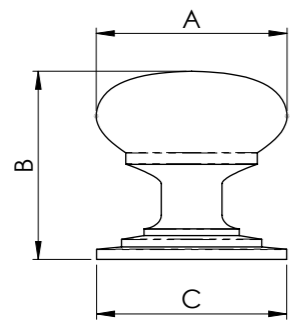


FTD713
Lines Radio Knob



Matching cupboard handle FTD710 on page 177





	A	B	C
M47A	25	25	25
M47B	32	32	32
M47C	38	38	38
M47D	42	42	42
M47E	50	50	50



M47MB
Matt Black



M47
Solid Brass Victorian Knob

M4
T
25

SP47 (62mm bolt) on page 203
available to order separately

Matching cupboard pull C47 on page 161



M47AB
Antique Brass



M47CP
Polished Chrome



M47
Polished Brass



M47PN
Polished Nickel



M47SB
Satin Brass



M47SC
Satin Chrome



M47SN
Satin Nickel



M47SSE
Stainless Steel Effect



M47BSC

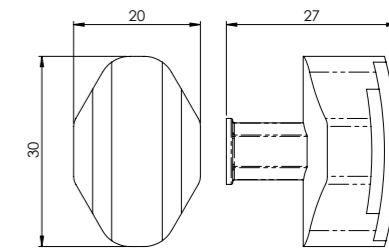


ADR501B
Art Deco Knob



Matching cupboard handle ADR502C on page 179

Matching Art Deco Range on page 82



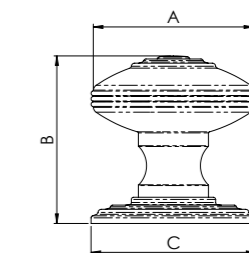
M4
T
25



FTD720
Solid Brass Anderson Knob



Can be used with or without the rose



	A	B	C
FTD720A	33	32	32
FTD720B	39	38	38
FTD720C	43	42	42

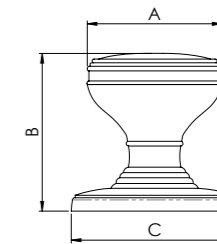
M4
T
25



DK47
Delamain Plain Knob



SP47 (62mm bolt) on page 203
available to order separately



	A	B	C
DK47B	26	31	32
DK47C	31	36	38
DK47D	37.5	44.5	46

M4
T
25

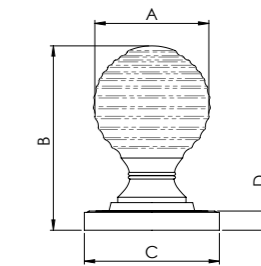


M1003/4/5
Solid Brass Queen Anne Knob



SP47 (62mm bolt) on page 203
available to order separately

Can be used with or without the rose



	A	B	C	D
M1003	22.5	35	25	4
M1004	27.5	40	30	4
M1005	34.5	51	40	4

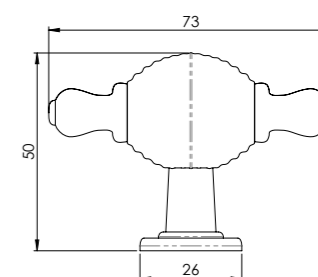
M4
T
25



FTD600R
Reeded Knob with Finial Ears



SP47 (62mm bolt) on page 203
available to order separately

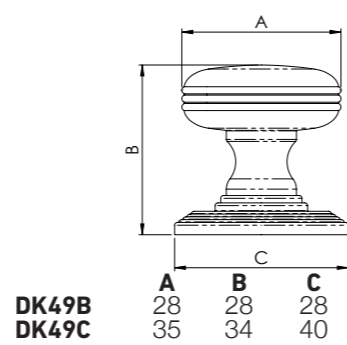




DK49
Solid Brass Delamain Ringed Knob



Can be used with or without the rose
SP47 (62mm bolt) on page 203
available to order separately



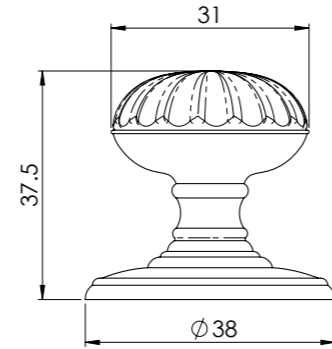
M4
T 25



DK48C
Solid Brass Delamain Flower Knob



Can be used with or without the rose



M4
T 25



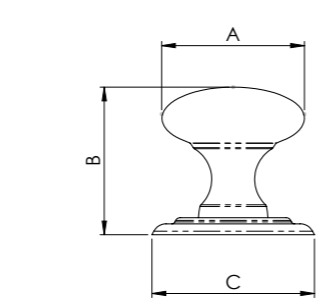
DL47
Solid Brass Classical Victorian Knob



	A	B	C	D
DL47A	25	26.5	25	4
DL47B	32	31.5	37	4
DL47C	36	35	37	4
DL47D	41	42.5	46.5	4
DL47E	46	49	54.5	4



Can be used with or without the rose

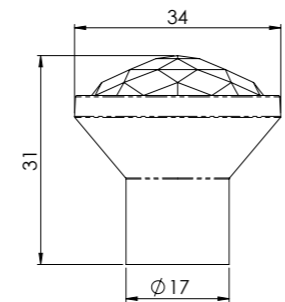


M4
T 25

SP47 (62mm bolt) on page 203
available to order separately



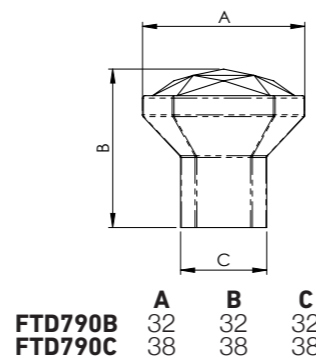
FTD770C
Round Crystal Knob



M4
T 25



FTD790
Square Crystal Knob



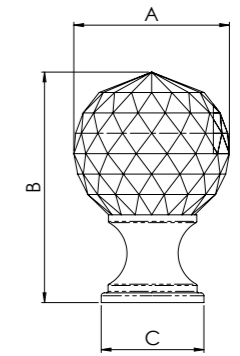
M4
T 25



FTD670
Crystal Clear
Faceted Knob



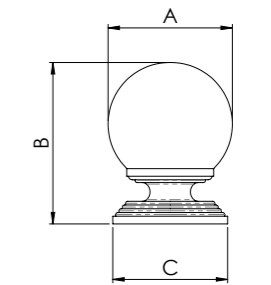
	A	B	C
FTD670A	25	37.5	18
FTD670B	31	44	21
FTD670C	35	49	21
FTD670D	40	52	23



M4
T 25



FTD690
Crystal Clear
Ball Knob

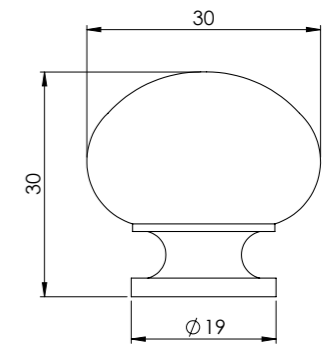


M4
T 25

	A	B	C
FTD690A	30	39	28
FTD690B	34	47	28



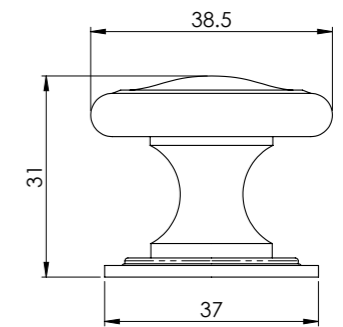
FTD1270A
Solid Bronze Mushroom Knob



M4
T 25



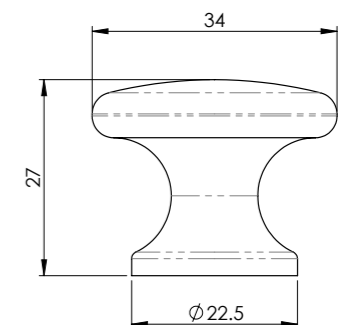
FTD1275A
Solid Bronze Cottage Knob



M4
T 25



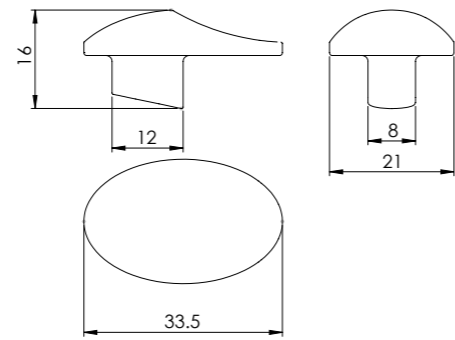
FTD521
Temperance Knob



M4
T 25



FTD4030
Crescent Knob

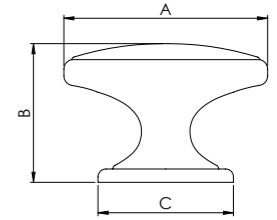


M4
T
25



New

FTD524S
Oxford Knob

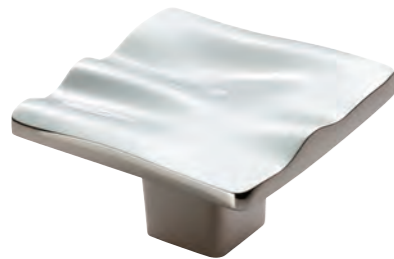


M4
T
25

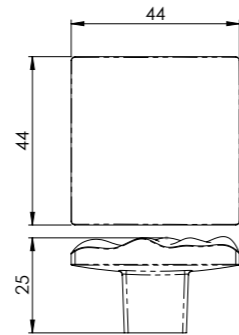
Matching cupboard pull FTD557 on page 161

Matching cupboard pull FTD558 on page 161

	A	B	C
FTD524	38.5	26	25
New FTD524S	32	21	21



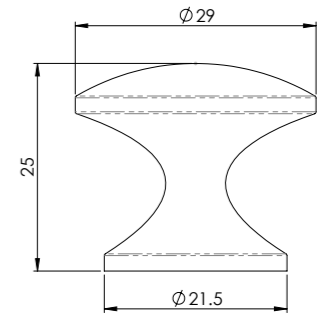
FTD929A
Serdi Knob



M4
T
22



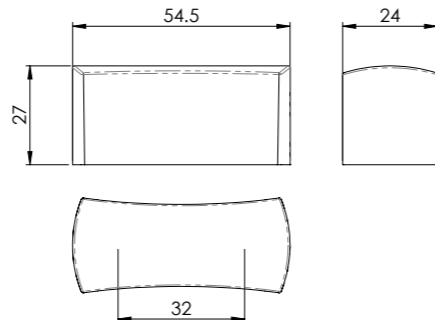
FTD346
Silhouette Knob



M4
T
25



FTD2095A
Infinity Knob

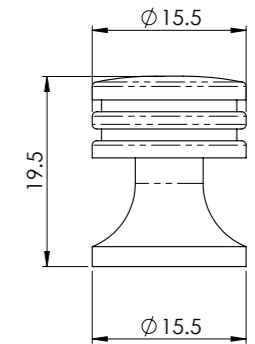


M4
T
25

Matching handle FTD2095E on page 184



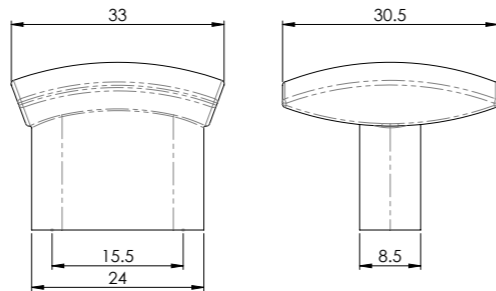
CH30A
Solid Brass Ringed Knob



M4
T
25



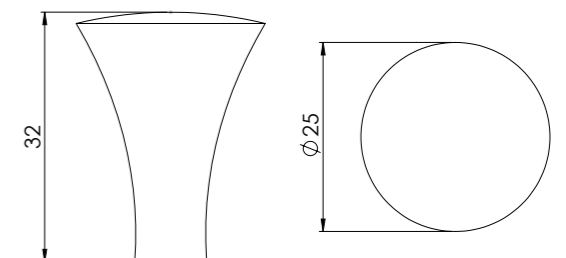
FTD3565
Helio Knob



M4
T
25



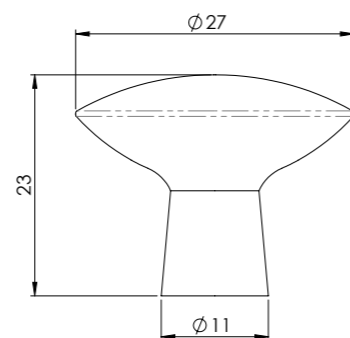
FTD377
Trumpet Knob



M4
T
25



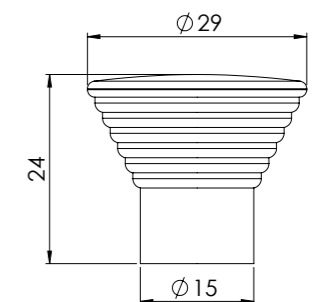
FTD523
Disc Knob



M4
T
25



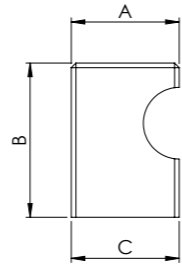
FTD345B
Aztec Ringed Knob



M4
T
25

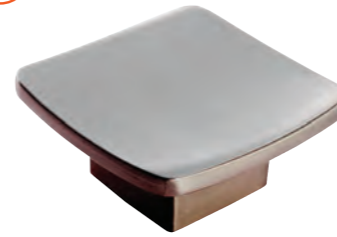


FTD2525
Square Knob

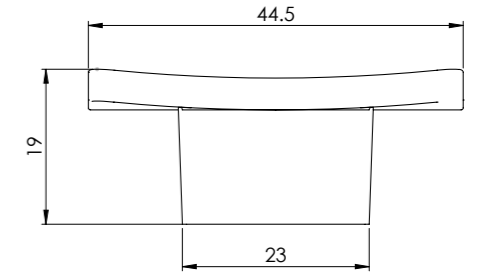


M4
T
25

	A	B	C
FTD2525A	17.5	25	17.5
FTD2525B	21.5	30	21.5



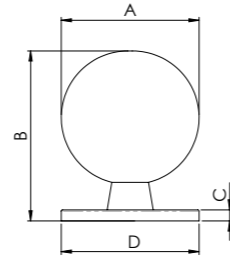
FTD4020A
Novus Knob



M4
T
25

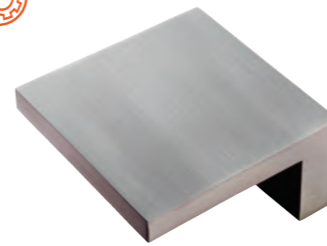


CH6
Solid Brass Ball Knob

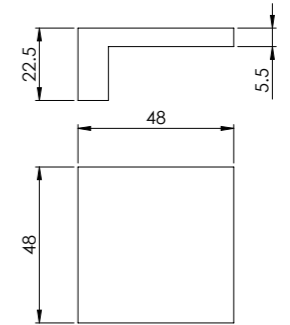


M4
T
25

	A	B	C	D
CH6C	25	30	2	25
CH6D	30	36	2	30



FTD4025
Gamma Knob



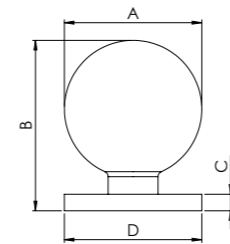
M4
T
25



FTD425
Stainless Steel
Spherical Knob



Can be used with or without the rose

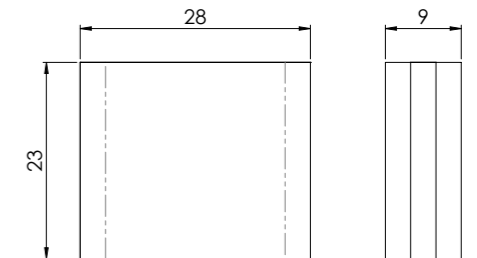


M4
T
25

	A	B	C	D
FTD425A	25	31	2.5	25
FTD425B	29	35.5	2.5	30



FTD429A
Lewis Straight Knob

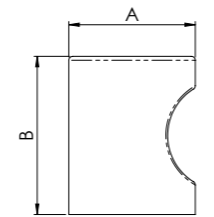


M4
T
25

Matching cupboard handle FTD529 on page 179



FTD430
Stainless Steel
Cylindrical Knob

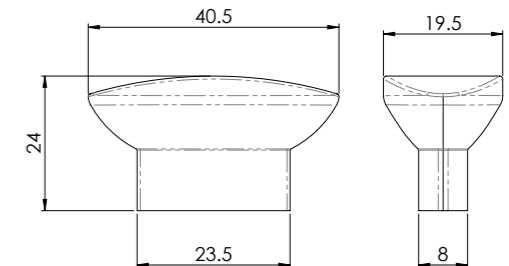


M4
T
25

	A	B
FTD430A	16	20
FTD430B	20	25
FTD430C	25	30
FTD430D	30	37



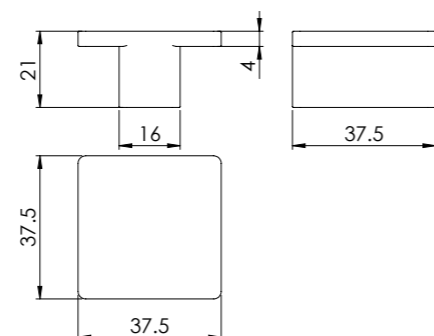
FTD3570
Elias Knob



M4
T
25



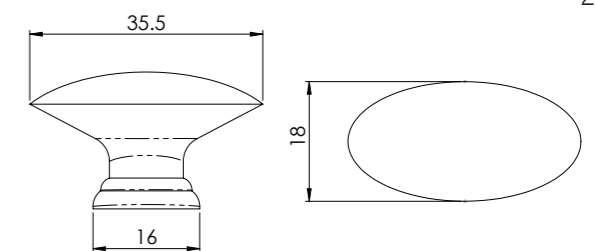
FTD4045A
Marin Knob



M4
T
25



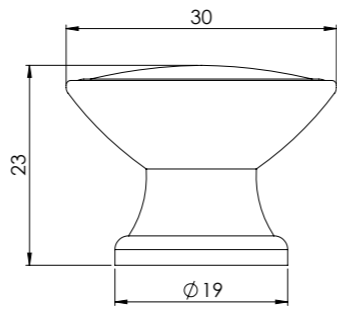
FTD255A
Oval Knob



M4
T
25



FTD535A
Shaker Style Knob



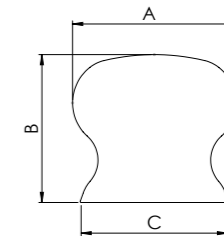
M4
T
25



M4
T
25



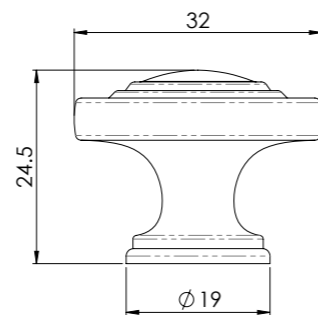
FTD620
Porcelain Knob



	A	B	C
FTD620A	32	29	28
FTD620B	37	32	31
FTD620C	43	41	40



FTD515
Traditional Pattern Knob

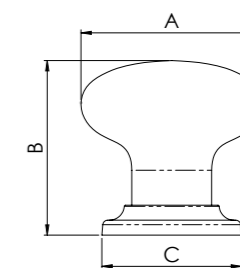


M4
T
25

A
M3
T
25



FTD630A
Porcelain Mushroom Pattern Knob



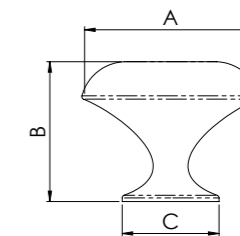
	A	B	C
FTD630A	36	34	28

Matching cupboard pull FTD555 on page 162

Matching cupboard handles FTD505 & FTD520 on page 188 & 189



FTD585
FTD585A
Hammered Finish Knob

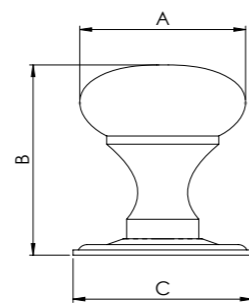


	A	B	C
FTD585	32	26	18
FTD585A	37.5	29	19

M4
T
25



FTD1265
Hollow Victorian Knob



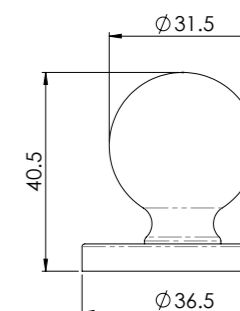
	A	B	C
FTD1265B	31.5	36	33.5
FTD1265C	37	41	38

M3.5
T
25
&
62

Can be used with or without the rose



FTD1078B
Hammered Pattern



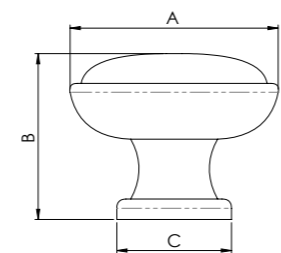
Can be used with or without the rose

Matching PE finish cupboard pull FTD5520PE on page 162

M4
T
25



FTD525B
Shaker Style Knob

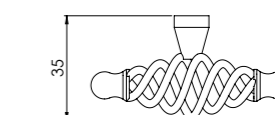
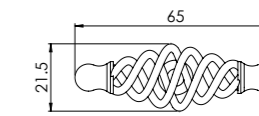


	A	B	C
FTD525B	34	27	18.5

M4
T
25

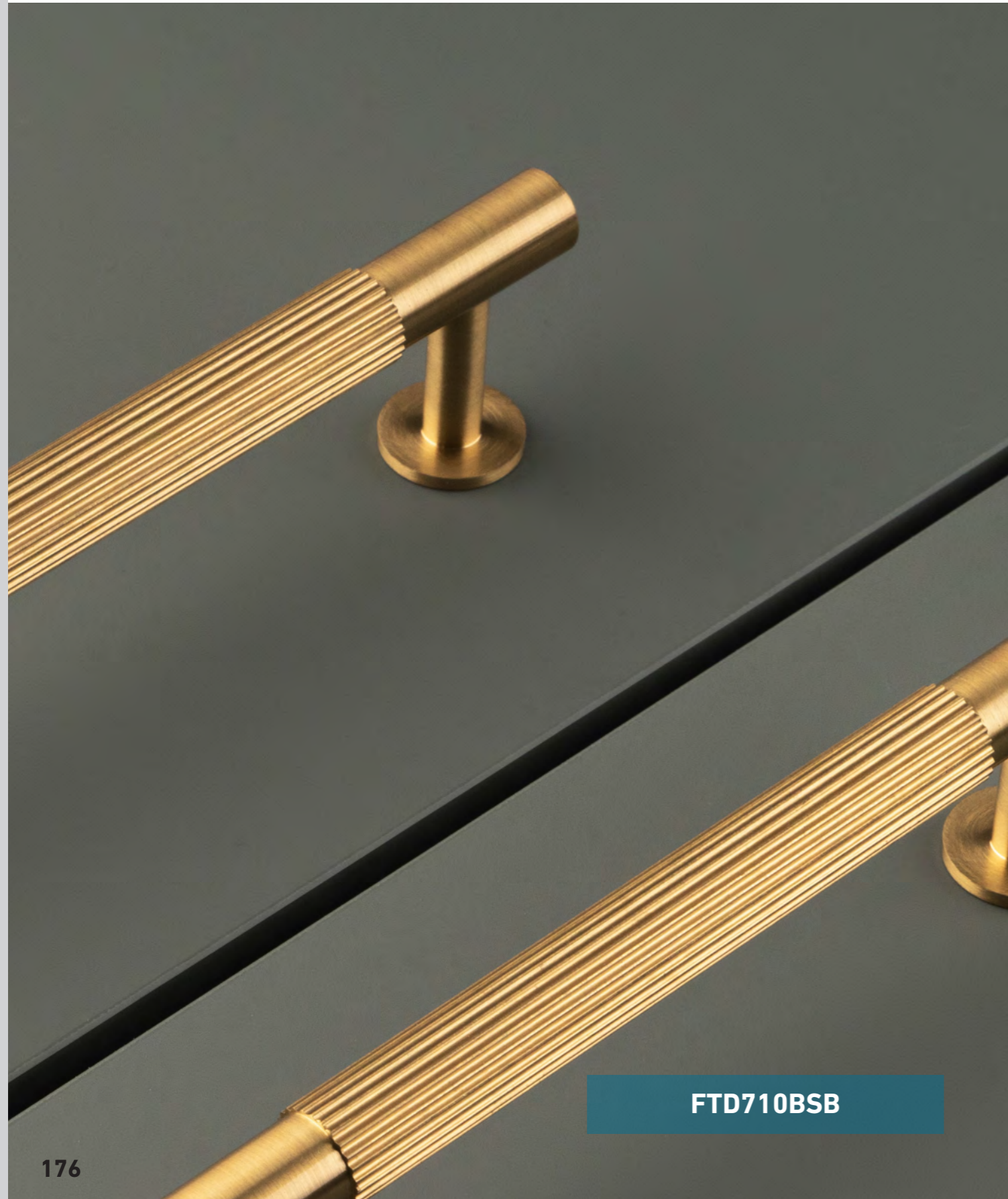


FTD1230B
Steel Cage Oval Knob



	A	B	C
FTD1230B	65	21.5	35

M4
T
25

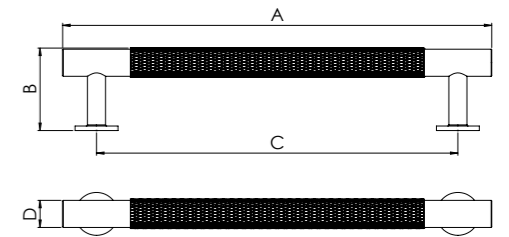


FTD710BSB



FTD700
Solid Brass Knurled Pull Handle

- New
- AB
 - ANT
 - CP
 - MB
 - SB
 - SN



	A	B	C	D
FTD700B	158	36	128	12
FTD700C	190	36	160	12
FTD700E	254	36	224	12
FTD700H	350	36	320	12



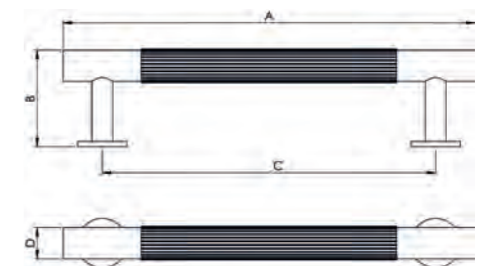
M4
T 25

Matching knurled cupboard knobs FTD701, FTD702 & FTD703 on page 165



FTD710
Solid Brass Lines Pull Handle

- New
- AB
 - ANT
 - CP
 - MB
 - SB
 - SN



	A	B	C	D
FTD710B	158	36	128	12
FTD710C	190	36	160	12
FTD710E	254	36	224	12
FTD710H	350	36	320	12



M4
T 25

Matching Lines cupboard knobs FTD711, FTD712 & FTD713 on page 165



FTD445
Steel T-Bar Handle

M4
T
25



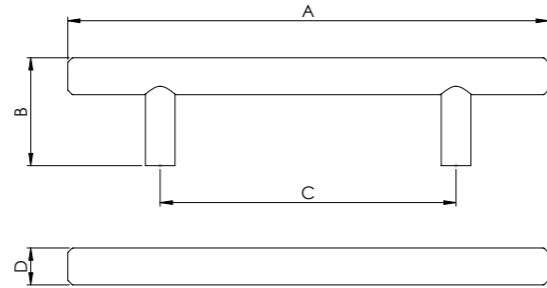
FTD445C
FTD445F
FTD445M



FTD445A
FTD445B
FTD445D
FTD445E
FTD445G
FTD445J



FTD445H
FTD445L
FTD445N
FTD445P
FTD445V
FTD445W

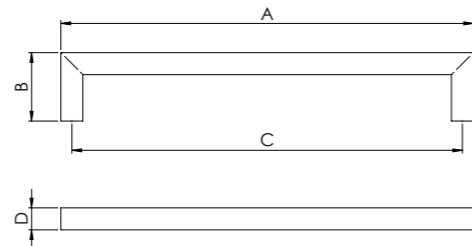


	A	B	C	D
FTD445A	156	35	96	12
FTD445B	188	35	128	12
FTD445C	220	35	160	12
FTD445D	252	35	192	12
FTD445E	284	35	224	12
FTD445F	348	35	288	12
FTD445G	312	35	352	12
FTD445H	444	35	384	12
FTD445J	508	35	448	12
FTD445L	572	35	512	12
FTD445M	668	35	608	12
FTD445N	700	35	640	12
FTD445P	828	35	768	12
FTD445V	1020	35	960	12
FTD445W	1084	35	1024	12



FTD401
Block Handle

M4
T
25

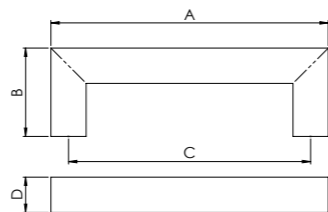


	A	B	C	D
FTD401C	170	30	160	10
FTD401F	330	30	320	10



FTD403
Stainless Steel Linear Handle

M4
T
25

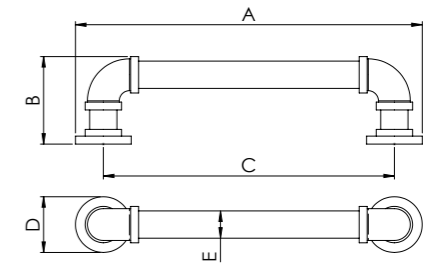
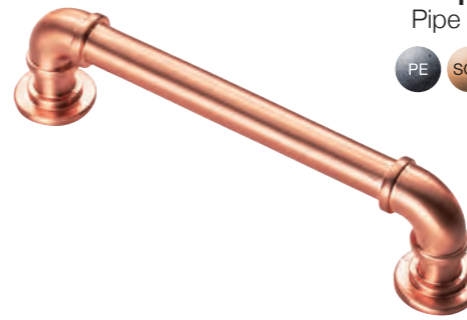


	A	B	C	D
FTD403A	110	35	14	96
FTD403B	142	35	14	128
FTD403C	174	35	14	160
FTD403E	206	35	14	192



FTD402
Pipe Handle

M4
T
25

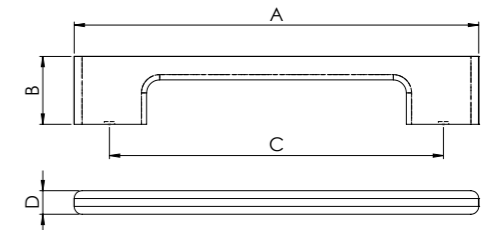


	A	B	C	D	E
FTD402B	152.5	38	128	24.5	12
FTD402F	344.5	38	320	24.5	12



FTD529
Harris Pull Handle

M4
T
25



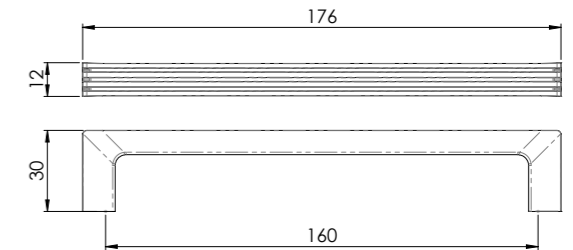
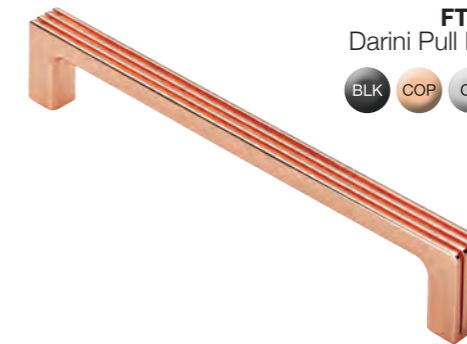
	A	B	C	D
FTD529B	155	26	128	9
FTD529C	186	26	160	9
FTD529D	219	26	192	9

Matching cupboard knob FTD429A on page 173



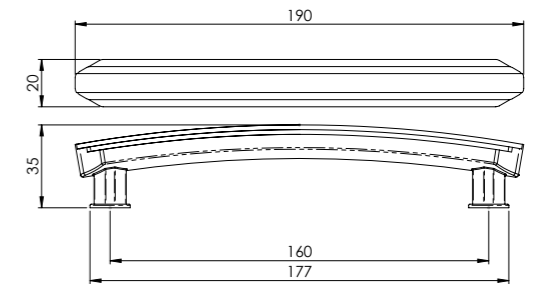
FTD927C
Darini Pull Handle

M4
T
25



ADR502C
Art Deco Handle

M4
T
25



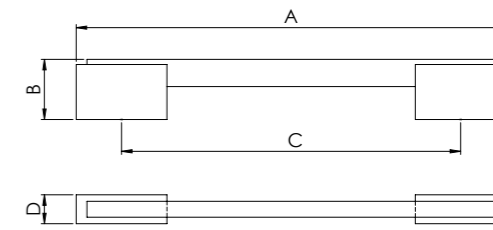
Matching Art Deco Range on page 82

Matching cupboard knob ADR501B on page 167



FTD4215
Aria Handle

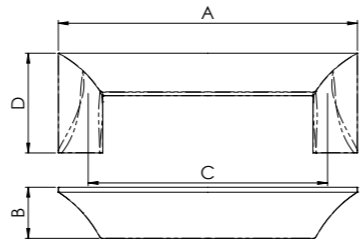
M4
T
25



	A	B	C	D
FTD4215C	200	26.5	160	13
FTD4215E	263	26.5	223	13
FTD4215G	360	26.5	320	13



FTD935
Capori Handle



M4
T 22

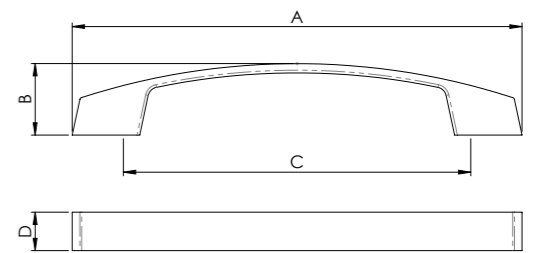
	A	B	C	D
FTD935A	120	21	96	40
FTD935D	216	21	192	40
FTD935G	343	21	320	40



FTD3165B
Bridge Handle



FTD3165C

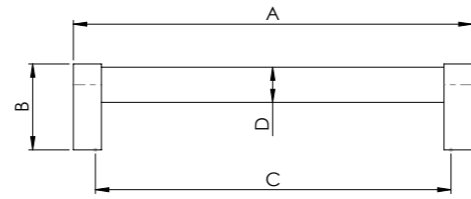


M4
T 25

	A	B	C	D
FTD3165B	169	26.5	128	14
FTD3165C	207	26.5	160	14



FTD485
Bauhaus Handle

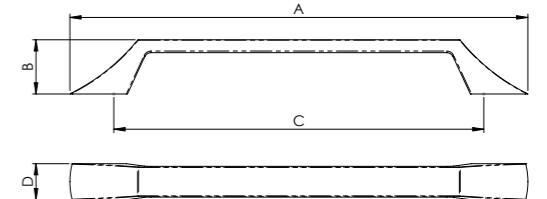


M4
T 25

	A	B	C	D
FTD485C	176	38.5	160	16
FTD485F	336	38.5	320	16



FTD273
Halcyon Handle

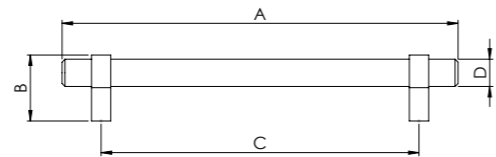


M4
T 25

	A	B	C	D
FTD273B	166	24	16	128
FTD273C	203	24	16	160



FTD495
Rail Handle

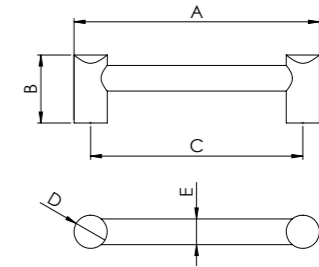


M4
T 25

	A	B	C	D
FTD495C	200	34	160	14
FTD495F	360	34	320	14



FTD685
Clear Acrylic Bar Handle

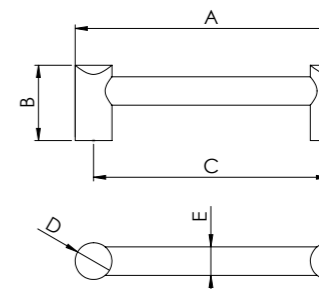


M4
T 25

	A	B	C	D	E
FTD685B	148	41	128	20	15
FTD685C	180	41	160	20	15

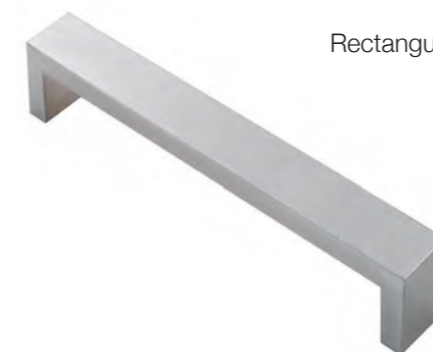


FTD685
Bar Handle

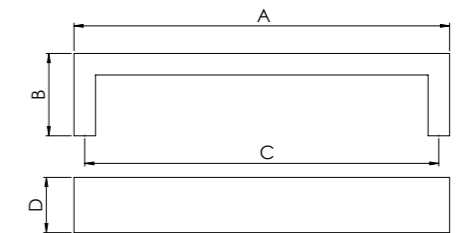


M4
T 25

	A	B	C	D	E
FTD685C	180	41	160	20	15
FTD685E	244	41	224	20	15

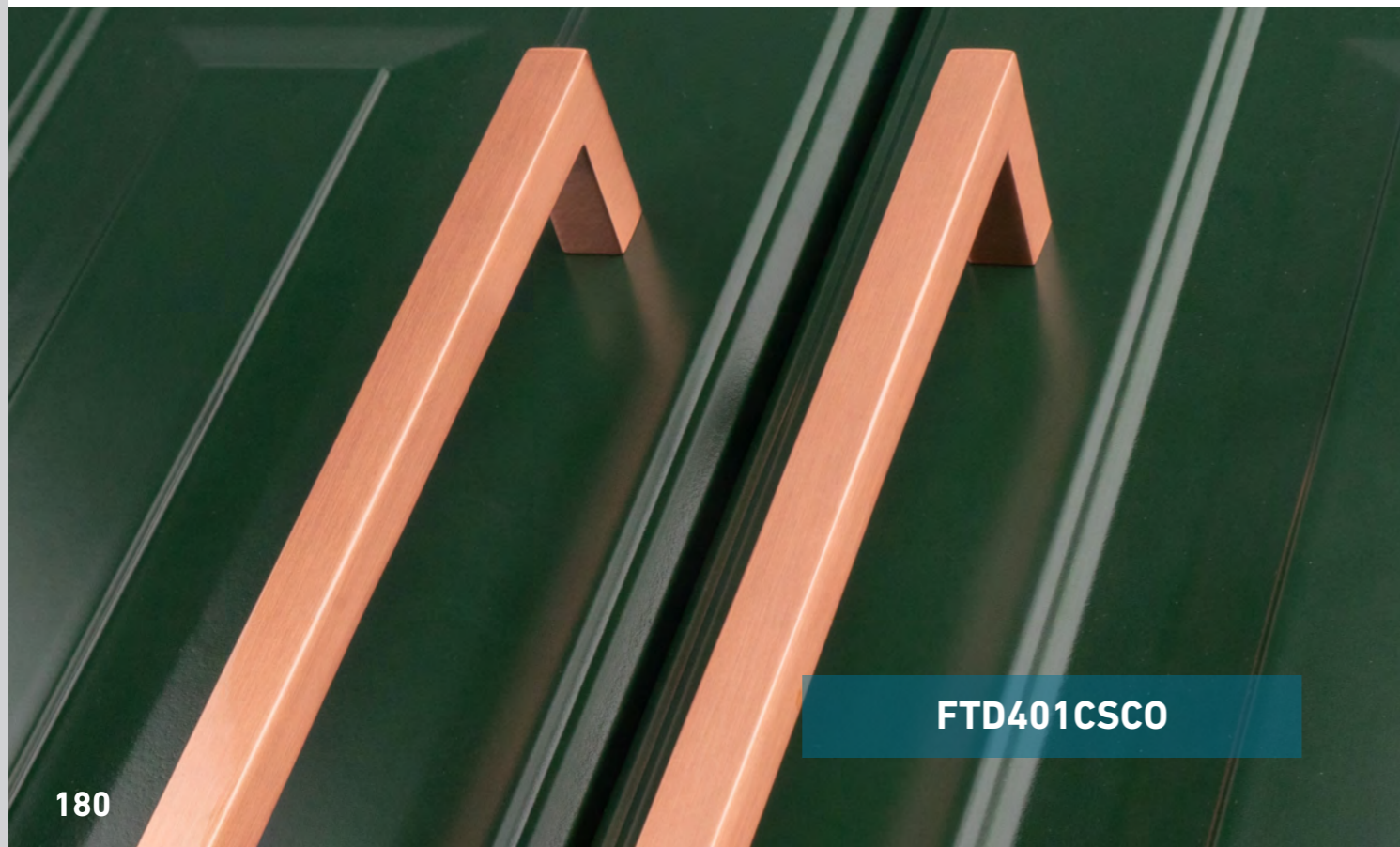


FTD2550
Rectangular Section
D Handle



M4
T 25

	A	B	C	D
FTD2550B	136	30	128	20
FTD2550C	168	30	160	20
FTD2550D	200	30	192	20
FTD2550E	232	30	224	20



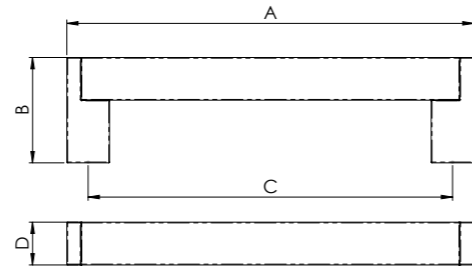
FTD401CSCO



FTD3550C
FTD3550F
FTD3550G
Square Section D Handle



FTD3550B
FTD3550D
FTD3550E

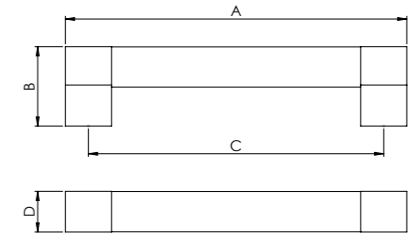


	A	B	C	D
FTD3550B	143	37	128	15
FTD3550C	175	37	160	15
FTD3550D	207	37	192	15
FTD3550E	240	37	224	15
FTD3550F	335	37	320	15
FTD3550G	463	37	448	15

M4
T
25



FTD480
Keyhole Handle

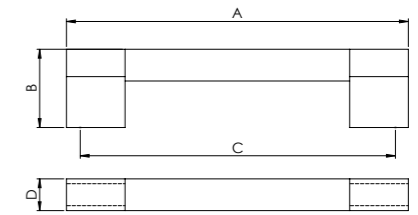


	A	B	C	D
FTD480B	184	43	160	22
FTD480E	280	43	256	22
FTD480H	376	43	352	22
FTD480J	472	43	448	22
FTD480K	632	43	608	22

M4
T
25



FTD470
Keyhole Handle

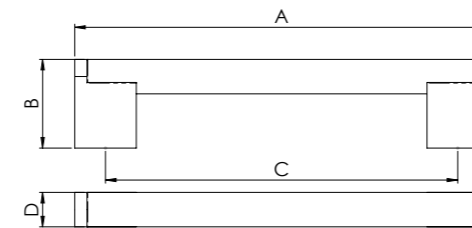


	A	B	C	D
FTD470B	141	31.5	128	14
FTD470C	172	31.5	160	14
FTD470D	204	31.5	192	14
FTD470E	236	31.5	224	14
FTD470J	460	31.5	448	14
FTD470L	588	31.5	576	14

M4
T
25



FTD4750
Bar Handle

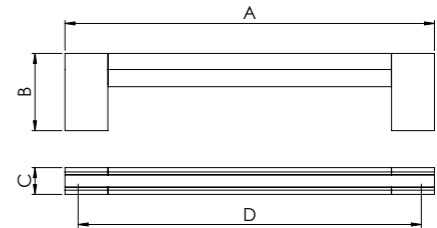


	A	B	C	D
FTD4750B	168	36	128	14
FTD4750C	200	36	160	14
FTD4750D	232	36	192	14
FTD4750E	296	36	256	14
FTD4750F	360	36	320	14
FTD4750G	488	36	448	14
FTD4750N	648	36	608	14
FTD4750S	904	36	864	14

M4
T
25



FTD4225
Solano Handle

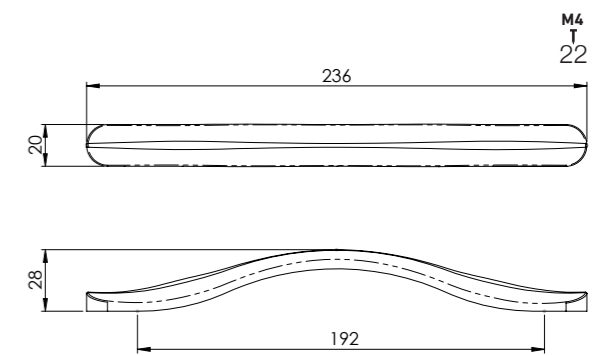


	A	B	C	D
FTD4225C	172	36	13	160
FTD4225E	236	36	13	224
FTD4225G	333	36	13	320
FTD4225J	460	36	13	448

M4
T
25



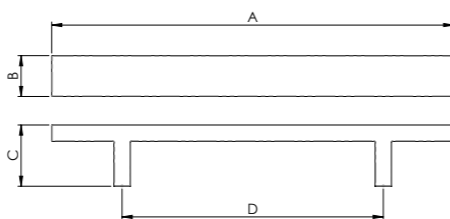
FTD922D
Salassi Handle



M4
T
22



FTD2500
Rectangular Section
T-Bar Handle

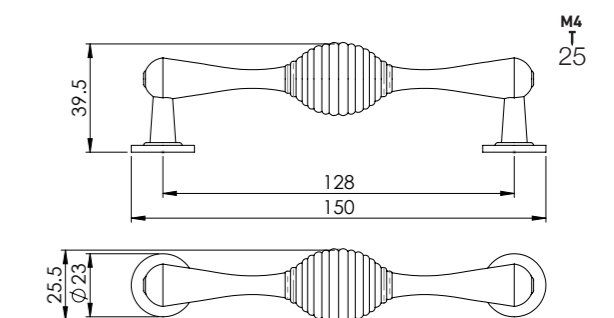
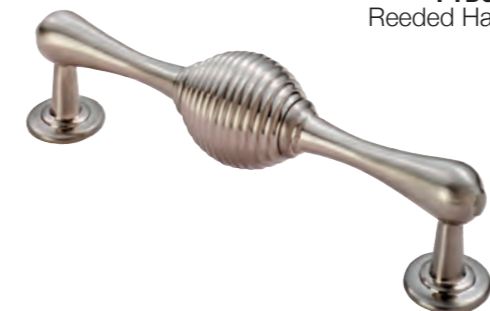


	A	B	C	D
FTD2500A	197	20	30	128
FTD2500B	228	20	30	160

M4
T
25



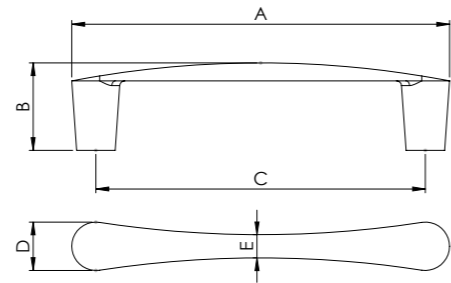
FTD605R
Reeded Handle



M4
T
25



FTD3150
Venturi D Handle

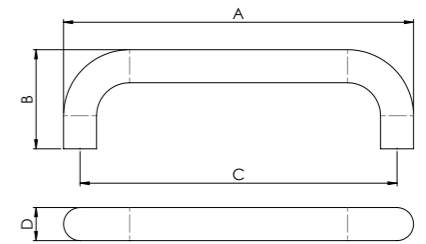


M4
T 25

	A	B	C	D	E
FTD3150A	146.5	34	128	18.5	6
FTD3150B	181	36	160	20.5	8

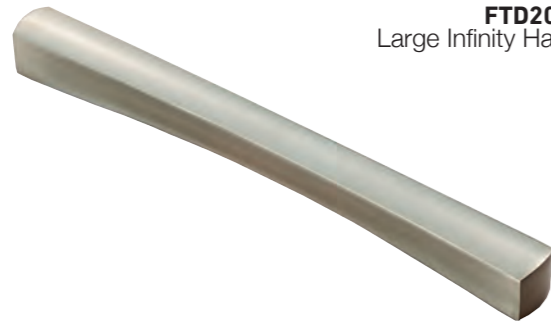


FTD460
D Handle

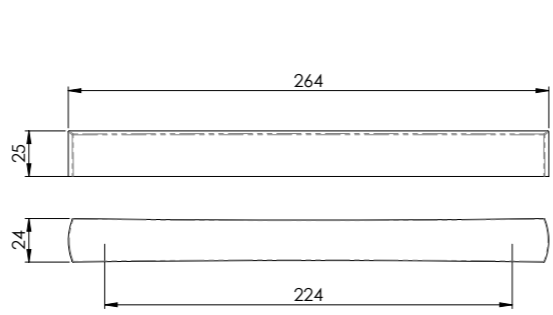


M4
T 25

	A	B	C	D
FTD460A	106	30	96	10
FTD460B	138	30	128	10
FTD460C	170	30	160	10
FTD460D	202	30	192	10



FTD2095E
Large Infinity Handle

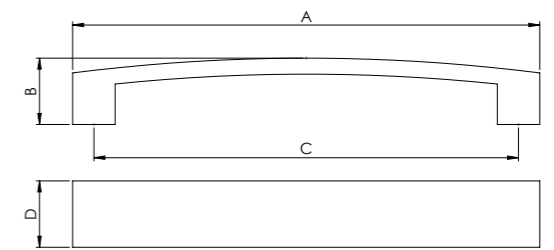


M4
T 25

Matching handle FTD2095A on page 170



FTD3160
Curva Bow Handle

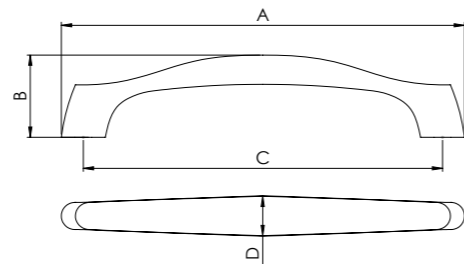


M4
T 25

	A	B	C	D
FTD3160A	172	24	160	25
FTD3160B	238	34	224	25



FTD2080
Chunky Arched Grip Handle

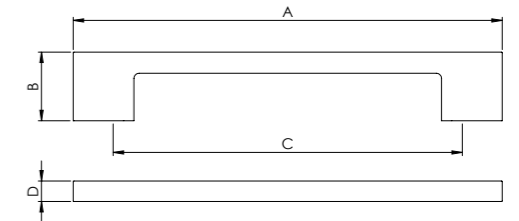


M4
T 25

	A	B	C	D
FTD2080A	156	32	128	15
FTD2080B	194	40	160	17



FTD3065
Slim D Handle

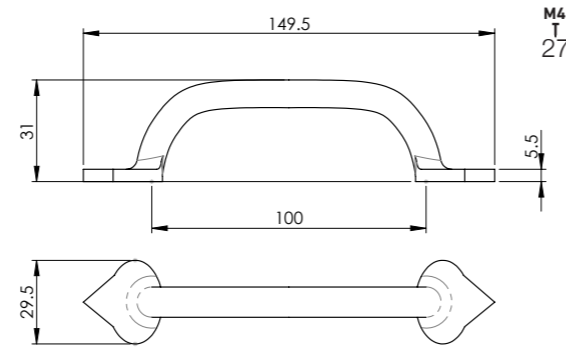


M4
T 25

	A	B	C	D
FTD3065A	165	26	128	8
FTD3065B	193	26	160	8
FTD3065C	223	26	192	8
FTD3065D	286	26	256	8



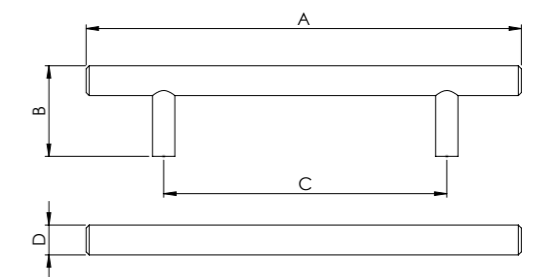
FTD1068B
Hammered Fleur de Lys Handle



M4
T 27



FTD410
Stainless Steel T-Bar Handle

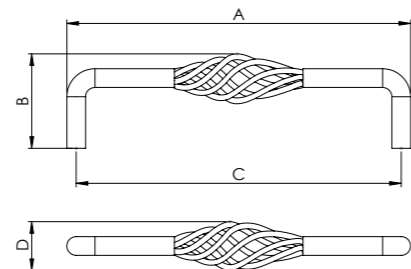


M4
T 25

	A	B	C	D
FTD410A	146	30	96	10
FTD410B	178	30	128	10
FTD410C	210	30	160	10



FTD1240
Steel Cage Fixed Handle

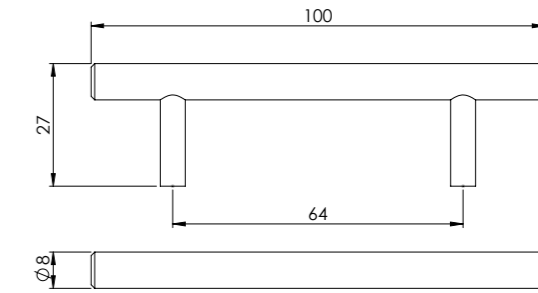


M4
T 25

	A	B	C	D
FTD1240A	136	34	128	19
FTD1240B	168	40.5	160	20.5



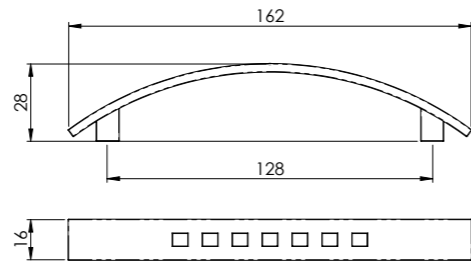
FTD444
Mini T-Bar Handle



M4
T 25



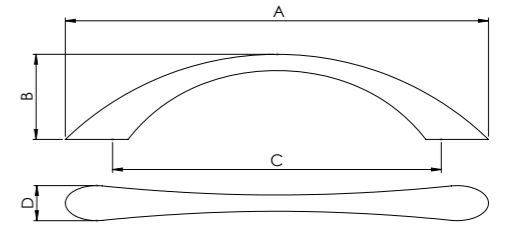
FTD272B
Quadra Bow Handle



M4
T 25



FTD2010
Waisted Bow Handle

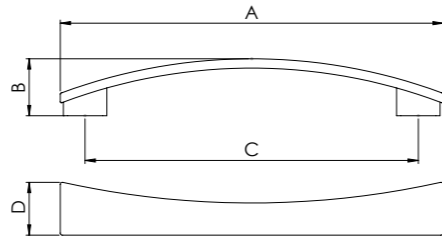


	A	B	C	D
FTD2010B	156.5	30	128	9
FTD2010E	287.5	30	224	15

M4
T 25



FTD3170
Valetta Bow Handle

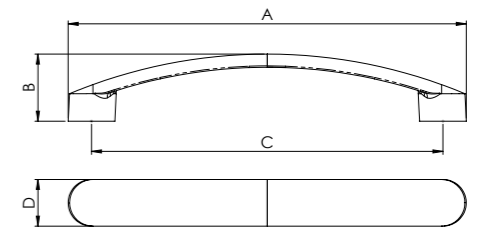


M4
T 25

	A	B	C	D
FTD3170A	183	27	160	26
FTD3170B	219	27	192	26
FTD3170C	335	27	320	29.5



FTD2035
Radiused End Flat Bow Handle

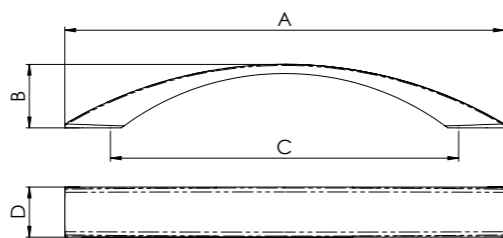


	A	B	C	D
FTD2035A	145	25	128	12
FTD2035B	178	26	160	18.5

M4
T 25



FTD2040
Concave Bow Handle

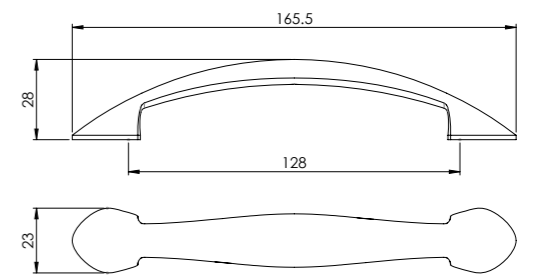


M4
T 25

	A	B	C	D
FTD2040A	159	24	159	18.5
FTD2040B	198	30	198	23.5



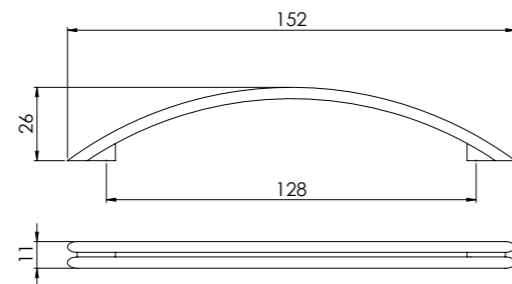
FTD343
Platypus Bow Handle



M4
T 25



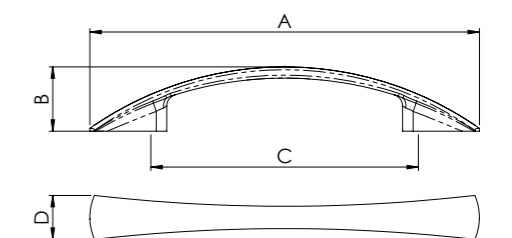
FTD280B
Wire Bow Handle



M4
T 25



FTD380
Waisted Flat Bow Handle

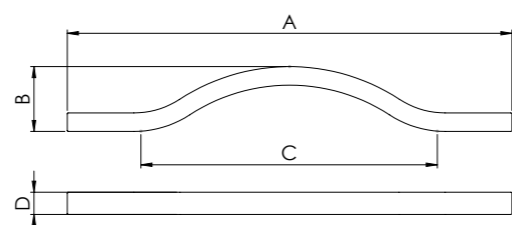


	A	B	C	D
FTD380A	137	23	96	16
FTD380B	172	25	128	16

M4
T 25



FTD4220
Ovenco Handle

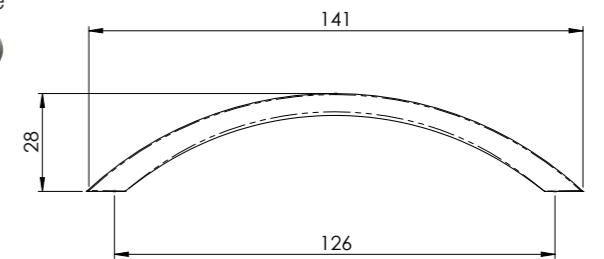


M4
T 25

	A	B	C	D
FTD4220C	240	35	160	12
FTD4220D	273	35	192	12
FTD4220G	410	35	320	12



FTD270A
Curved Convex Grip Handle



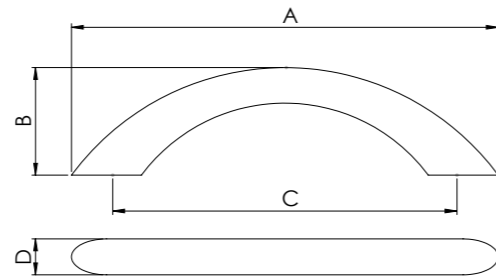
M4
T 25



FTD450
Bow Handle



FTD450C
FTD450F

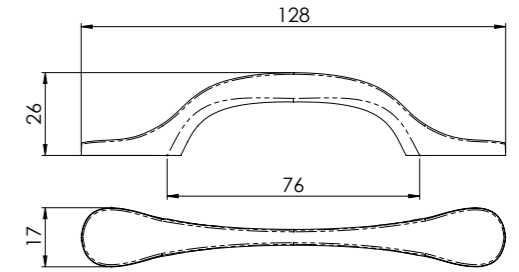


	A	B	C	D
FTD450A	114	30	96	10
FTD450B	153	31	128	10
FTD450C	190	32	160	10
FTD450D	226	32	192	10
FTD450E	256	32	224	10
FTD450F	338	33	288	10
FTD450G	372	34	320	10
FTD450H	408	38	352	10

M4
T 25



FTD520
Shaker Style Handle

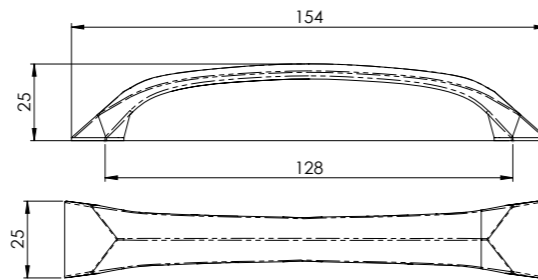


Matching cupboard knob FTD515 on page 174
Matching cupboard pull FTD555 on page 162

M4
T 25



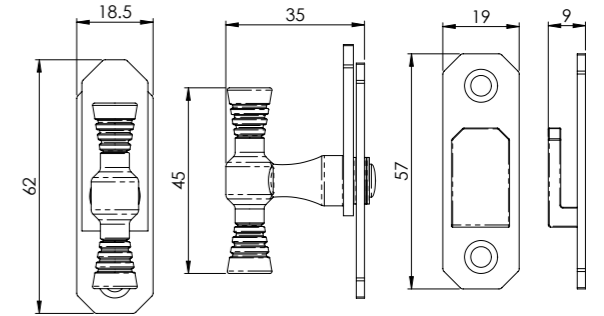
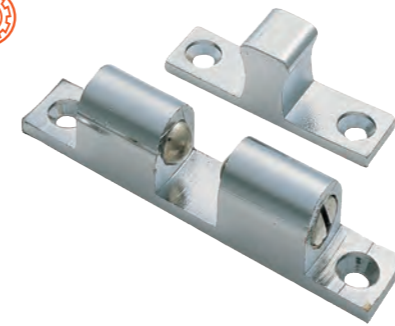
FTD3440
Solo Handle



M4
T 25



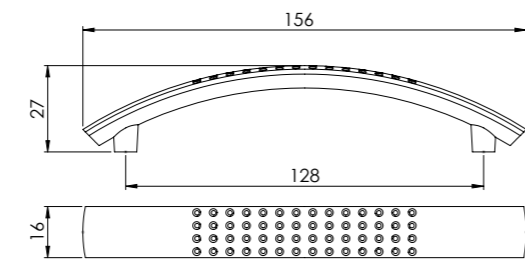
FTD815
Double Ball Catch



	A	B	C	D	E	F
FTD815A	9.5	43	8	9.3	26.5	8
FTD815B	11	49	9	10.5	28	9
FTD815C	13	60	11.5	12.5	37	11.5
FTD815D	15	69	12.5	15	41.5	12.5



FTD230
Dimple Effect Curved Handle

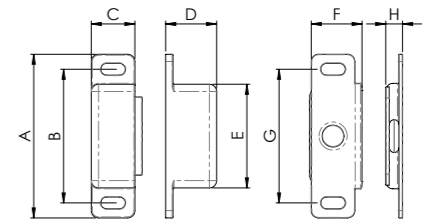


M4
T 23

FTD230B	A	B	C	D
	156	27	128	16



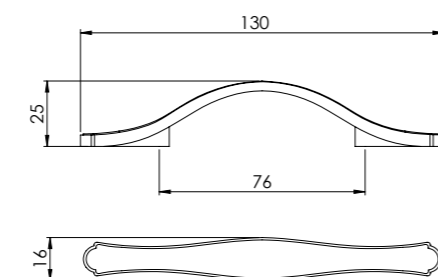
FTD840
6kg pull
FTD850
3.5kg pull
Superior Steel
Magnetic Catch



	A	B	C	D	E	F	G	H
FTD840	46	36.5	12	14	28.5	14.5	36.5	5.5
FTD850	46	36.5	12	14	28.5	14.5	36.5	5.5



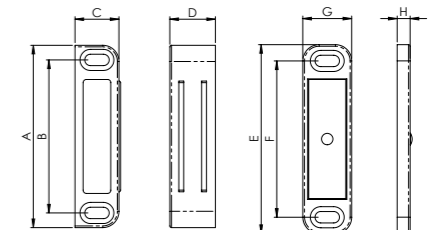
FTD505
Stepped Edge Bow Handle



M4
T 62



FTD835
Nylon Magnetic Catch

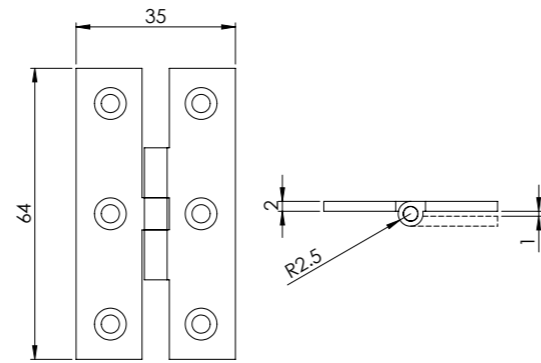


	A	B	C	D	E	F	G	H
FTD835AN	42	32	13.5	14	34	34	14	4
FTD835BN	56	47	13.5	14	58	48	15	4

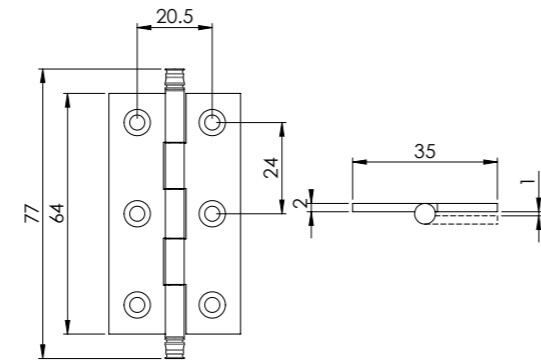
Matching cupboard knob FTD515 on page 174
Matching cupboard pull FTD555 on page 162



FTD810
Brass H Pattern Hinge



FTD805D
Solid Brass Finial Cabinet Hinge

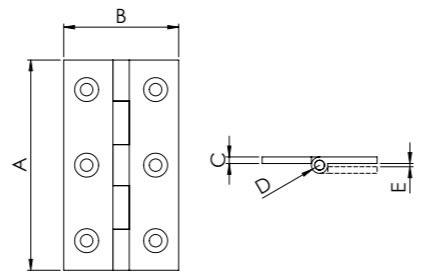


FTD800
Solid Brass Cabinet Hinge

FTD800C



FTD800D



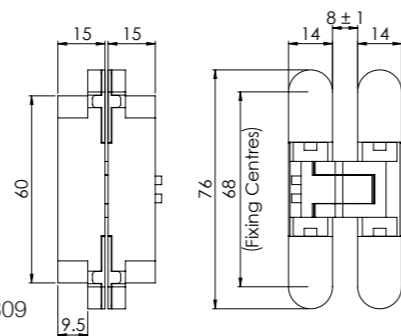
	A	B	C	D	E
FTD800C	50	28	1.5	5	1.5
FTD800D	64	35	2	5	1



CI000929
3D Adjustable Concealed Hinge



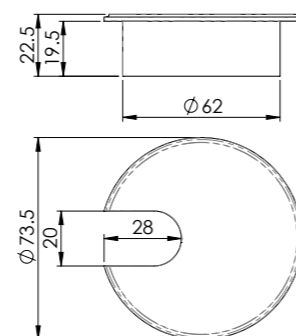
12Kg
Max loading 2 hinges
16Kg
Max loading 3 hinges
21Kg
Max loading 4 hinges



Wider range of CEAM hinges on pages 304-309



FTD855
Heavy Pattern Cable Tidy



H4.170.35.10
170 Degree Soft Close Hinge



H4.100.35.10
Full Overlay Soft Close Hinge



H4.100.35.20
Half Overlay Soft Close Hinge
H4.100.35.30
Inset Soft Close Hinge



P4.100.35.00
Mounting Plate



P4.100.35.02
Mounting Plate
P4.100.35.A00
Adjustable Plate

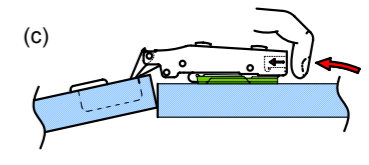
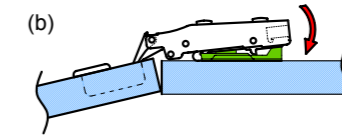
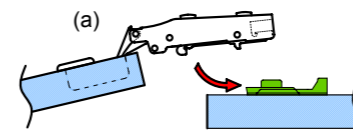


FITTING PROCEDURE

Clamp the hinge to the plate shown

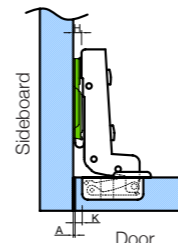
Press down the hinge arm to lock the plate as shown as direction arrow in

Disassembling shown as diagram (c) by pushing the clip button



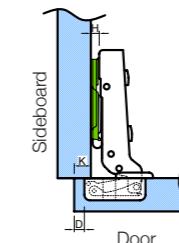
OVERLAY CALCULATIONS FOR PLATE SECTION

Inset
 $H=4.5+K+A$



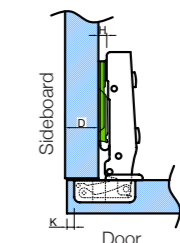
A	Reveal Calculations			
	K	3	4	5
0	1.5	0.5	-0.5	-1.5
2	3.5	2.5	1.5	0.5
4	5.5	4.5	3.5	2.5

Half Overlay
 $H=5+K-D$



D	Overlay Calculations			
	K	3	4	5
0	17	18	19	20
2	15	16	17	18
4	13	14	15	16

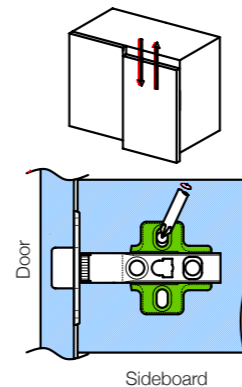
Full Overlay
 $H=14+K-D$



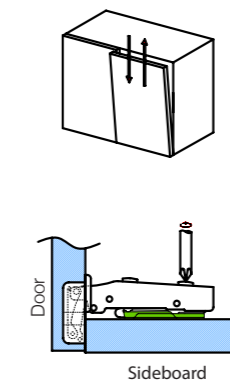
D	Overlay Calculations			
	K	3	4	5
0	8	9	10	11
2	6	7	8	9
4	4	5	6	7

ADJUSTMENT RANGE

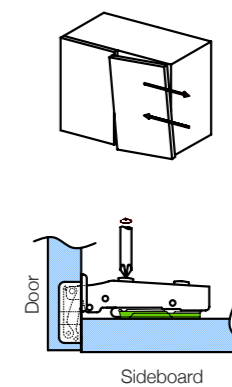
Height Adjustment



Depth Adjustment



Side Adjustment



- © Contemporary and traditional styles
- © Designed to enhance any bathroom environment
- © Everyday items that add the finishing touch





LX07SPVD

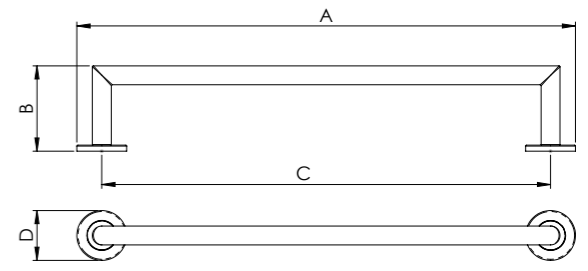


LX21
GRADE 316
Single Towel Rail

- BSS
- SS

LX22

- BSS
- MB
- SPVD
- SS

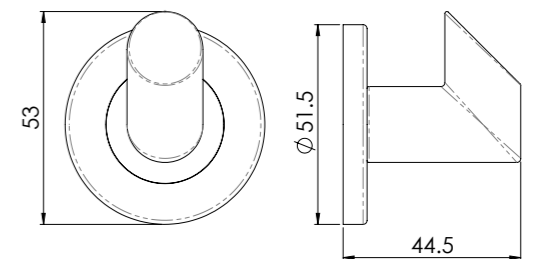


	A	B	C	D
LX21	450	85	400	51.5
LX22	650	85	600	51.5



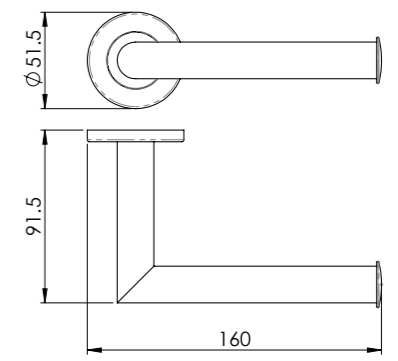
LX03
GRADE 316
Robe Hook

- BSS
- MB
- SPVD
- SS



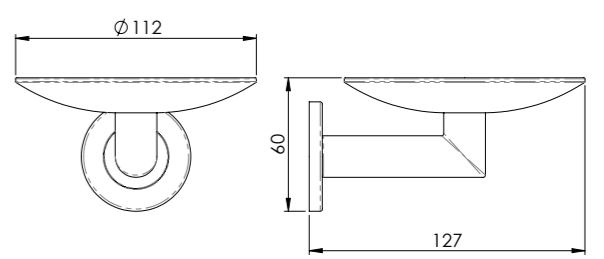
LX07
GRADE 316
Paper Holder

- BSS
- MB
- SPVD
- SS



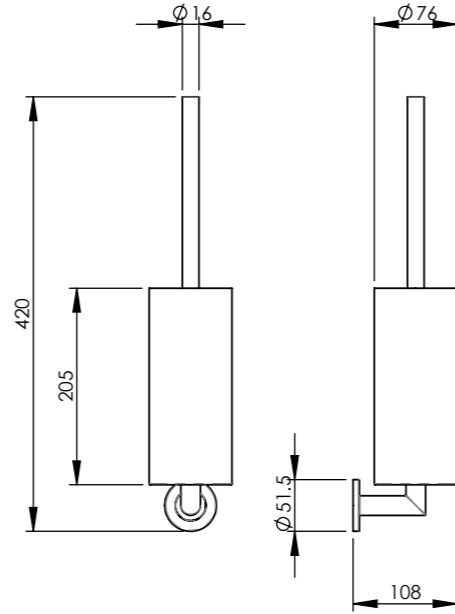
LX13
GRADE 316
Soap Dish

- SS

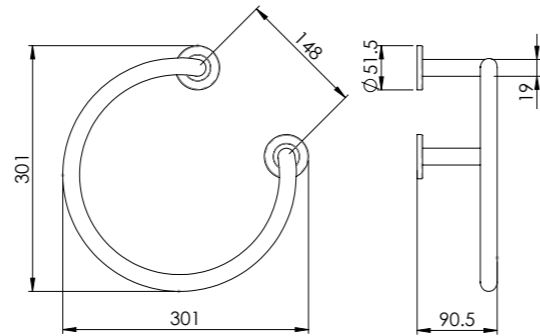




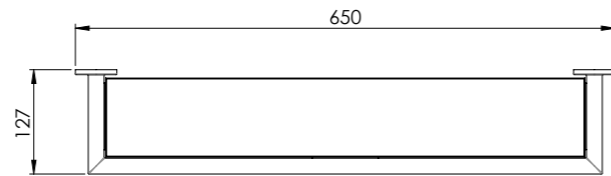
LX14
GRADE 316
Toilet Brush and Holder



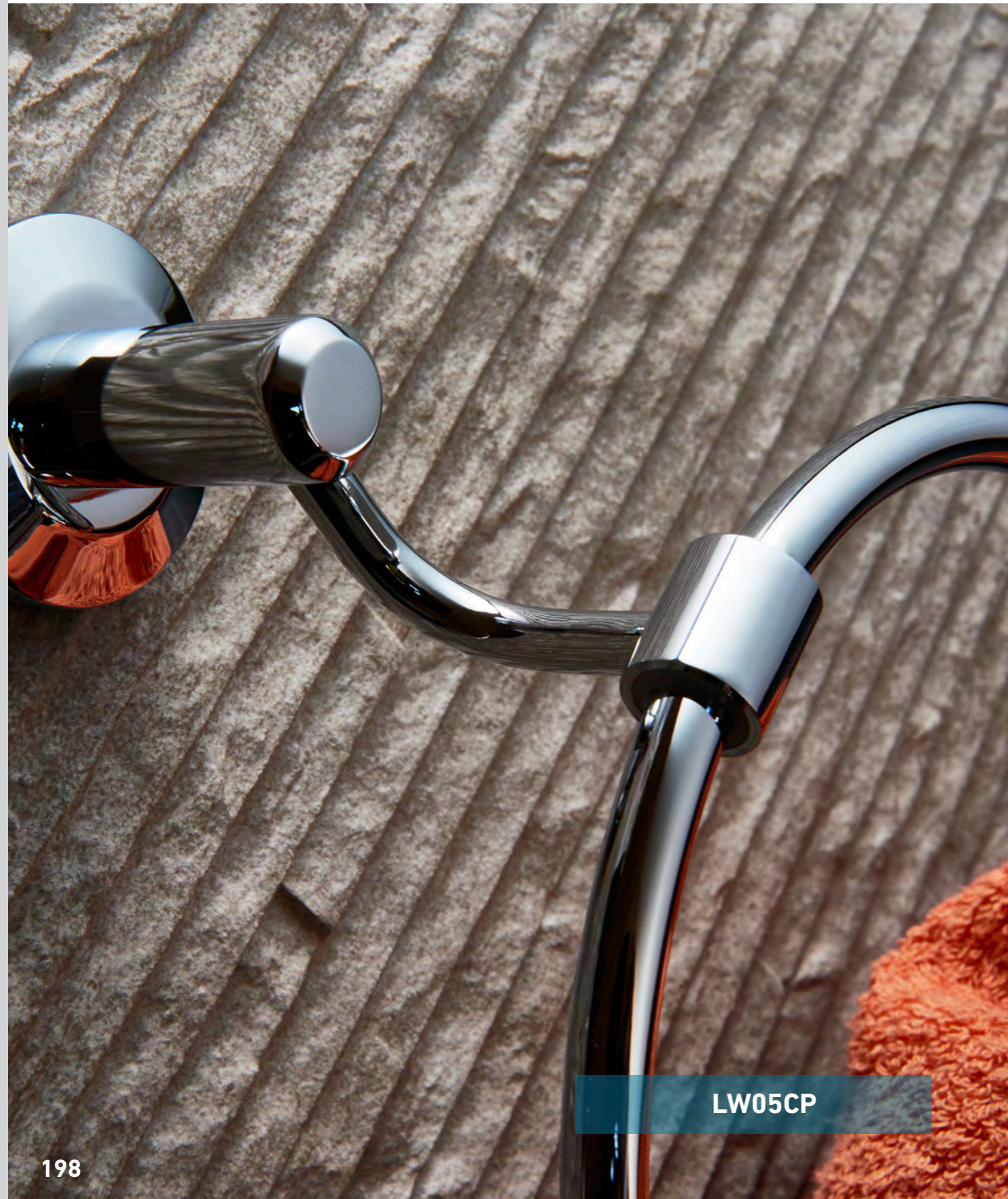
LX05
GRADE 316
Towel Ring



LX25
GRADE 316
Glass Shelf



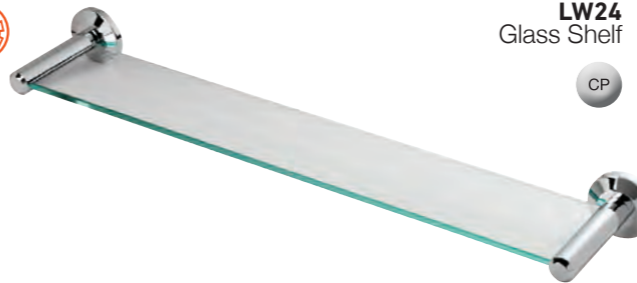
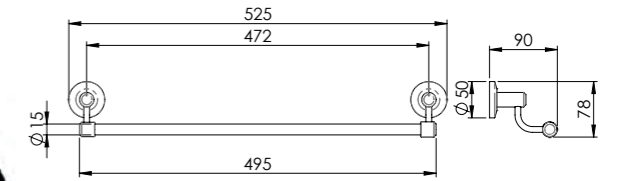
LX25SS



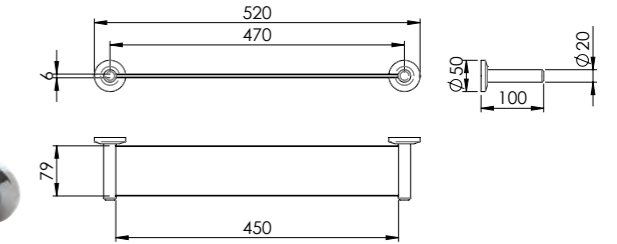
LW05CP



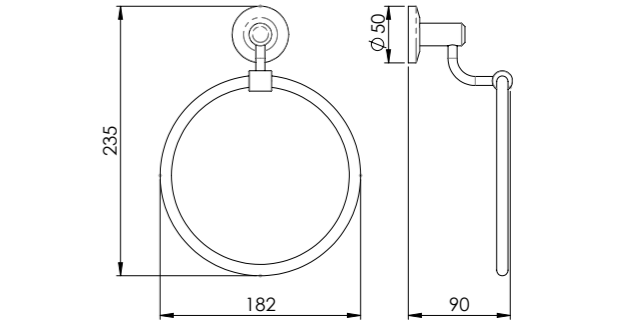
LW21
Single Towel Rail



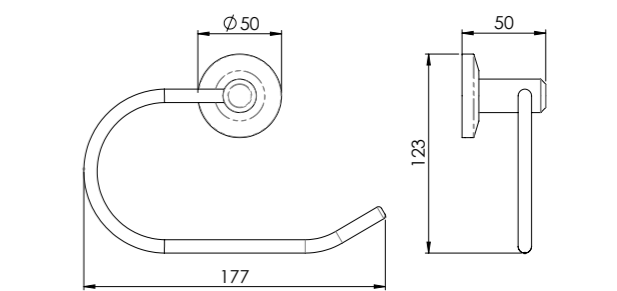
LW24
Glass Shelf



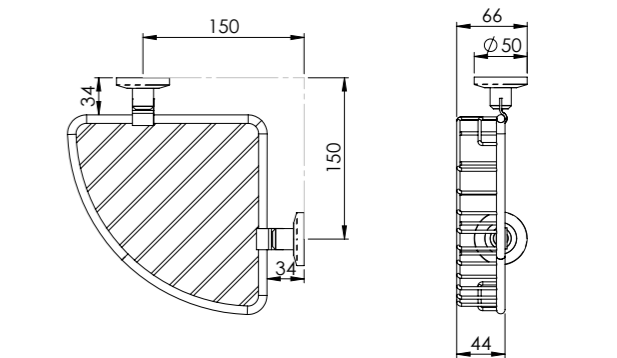
LW05
Towel Ring



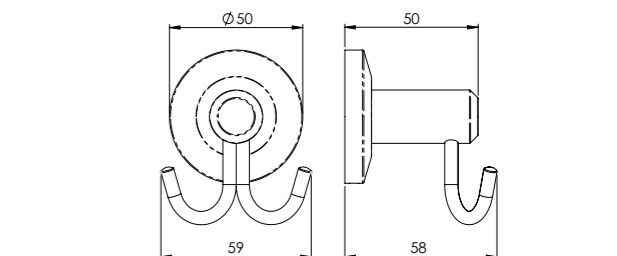
LW07
Paper Holder







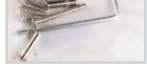

LW17
Triangular Soap Tray








LW02
Double Robe Hook





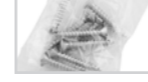






Full Fixing Packs

	SP18	Spare fixing pack to suit AQ round rose furniture and EUL Lever on Rose
	SPB75	Spare fixing pack to suit SZA Levers
	FIXCSL	Fixing pack to suit all CSL Lever on Rose
	FIXSSL	Fixing pack to suit all SSL levers and SWL Lever on Rose
	FIX4000	Fixing packs to suit SZC Lever on Rose
	FIX9113	Fixing packs to suit LRS and ZIN lever furniture. Also fits SZM and ZIN Lever on Rose



Male/Female Bolts

	SP8	SZM/ZIN Lever on rose
	SP8L	SZM/ZIN Lever on rose, Doors over 45mm thick
	SPS	M4 x 70mm crew, all finishes SZC on rose, DL461 and Andros - DL181, 381
	SPSCP	Andros (DL180, 380 Range), Also fits SZC Lever on Rose
	SPSSC	Andros (DL180, 380 Range), Also fits SZC Lever on Rose
	SPS85CP	Art Deco Range
	SPS85SN	Art Deco Range











Screws Packs

	SS6	No. 6 x 3/4" counter sunk screw - used on all Lever on back plate handles Available in all finishes and would be written SSCP6, SSSC6 etc (Pack of 8)
	SSCP6	Traditional lever range (Pages 52 - 64), Mortice Knobs , SZR Backplate
	SSSC6	Traditional lever range (Pages 52 - 64), Mortice Knobs , SZR Backplate
	ASS1019	Wood pack to suit HIN hinges: 5.0 x 31mm PZ2 (Pack of 16) Available in multiple finishes and would be written ASS1019AB, ASS1019MB etc
	ASS1030	HIN1322/7, HIN1322
	SCP10	Screw counter sunk – Pozi drive to suit HDSSW5CP: N°10 x 31mm (Pack of 16)
	SCP8	Screw counter sunk – Pozi drive to suit HDSSW2CP: N°8 x 25mm (Pack of 12)
	SPB8	Screw counter sunk – Pozi drive to suit HDPBW21: N°8 x 31mm PZ2 (Pack of 12)
	SPB10	Screw counter sunk – Pozi drive to suit HDPBW61: N°10 x 31mm PZ2 (Pack of 16)






Spare Roses

	CSR1005	Can be used as replacements roses for CSL levers
	SWR1136	SWL levers and thumbturns




Spares General

	SP6T	Taylor spindle
	SP6T1	Taylor spindle
	SP4M	Spare springs to suit all handles except for LF Range
	SP21	Spare Circlip, fits all levers
	SP81	Spare nylon washer for lever handles
	SP82	Spare metal washer for lever handles
	SP104	(spare turns for bathroom furniture on back plate), available in all finishes
	SP104L	Longer version of the above for 54mm doors
	SPLFSPRINGLH	Spare spring for Ludlow Foundry Lever Handles Left Hand
	SPLFSPRINGRH	Spare spring for Ludlow Foundry Lever Handles Right Hand
	ATS1000	Thumbturn sleeve 5-8mm
	AHB1000ZP	ZP hinge bolt (set of 2)
	ALS5100	Spindle 5mm x 100mm long
	ASH5000	Heavy spring to suit Easi T architectural locks
	WF14	Pin for flush fitting sash all finishes
	WF15	EJMA pin all finishes
	SP44A	2 x spare bolt for cupboard knob (M4 x 18mm)






Spare Bolts

	SP45	Single spare bolt for cupboard knob (M4 x 25mm)
	SP47	Single spare bolt for cupboard knob (M4 x 62mm)
	SBF80BOLT	Spare pull handle bolts, suits all Eurospec pull handles.
	ALB1001	Bolt fixing M3x61mm with cut downs for SWL/SSL levers (2pcs/bag)
	ALB1001/L	Male only bolts, suits SZM/ZIN/SWL/SSL lever on rose - Doors over 45mm

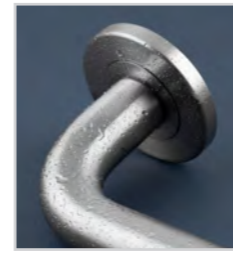
Spare Spindles


	ALS1002H	Steelwork Heso spindle 120mm (to suit CSL, SSL and SWL)
	ALS1003B	Suits SZC, SZM, SZR, ZIN & EUL - 8mm Standard - Up to 44mm doors
	SP7M	Spindle to go with levers 8mm x 100mm
	SP75	Suits SZC, SZM, SZR & ZIN, EUL - 8mm Extended - Up to 54mm doors
	SP7L140S	Spare spindle 8mm x 140mm long

Grub Screws

	SP25	M6 x 6mm grub screw. Suits with AQ, SZS, DL and Serozzetta on round rose
	AGW1000	M6 x 6mm screw Cup grub screw. Suits with all Eurospec handles
	AGS1000H	M6 x 7mm screw Heso grub screw. Suits with all CSL, SSL, SWL levers & knobs
	SPGS	M5 x 5mm grub screw. Suits with DK Range
	AGS5000	Faceplate screws for Architectural Locks

“
Quality
Commercial
Ironmongery”




 Grade 4
BSEN1906
206




 Grade 316
Stainless Steel
212



 Stainless Steel
Levers on
Screw on Rose
216




 Stainless Steel
Levers on
Square Rose
224



 Stainless Steel
Levers on
Slim Rose
228




 Stainless Steel
Levers on Rose
232



 Stainless Steel
Levers on Backplate
238




 Stainless Steel
Pull Handles
246



 Stainless Steel
Accessories
256



 Stainless Steel
External Door
Furniture
270



 Aluminium
Collection
274



 High Specification
Hinges
286



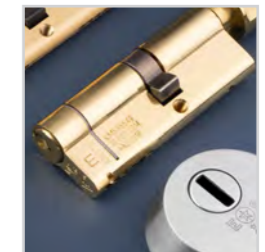
 CEAM Hinges
304



 Door Controls
310




 Locks & Latches
328



 Cylinders
362







 Outdoor Security
390








 Panic & Emergency
Exit Hardware
400



 Intumescent Fire Protection
& Acoustic Sealing Systems
406

-  Comprehensive and industry leading range of sprung door furniture
-  Perfect for all commercial application
-  Ideal where doors are subject to frequent and vigorous usage

-  Independently tested to "severe" Grade 4 under BS EN 1906
-  Levers are suitable for use to BS8300 - 2:2018 guidelines
-  Product is tested to 1080 hours of corrosion protection
-  Features thread locked fixings, case-hardened spindle and cup-point grub screws to ensure strong fixing
-  25-year mechanical guarantee



BS EN 1906:2012 UK non-designated version of the non-harmonised European standard entitled "Building hardware. Lever handles and knob furniture. Requirements and test methods." Covers sprung and un-sprung lever handles, knobs for doors, push pads and similar devices in combination with backplates or roses operating latches. This standard is applicable only to lever handles and knobs that operate a latch or lock and other devices. Test requirements include; spindle and fastening elements, operating torques, permissible free play and safety, free angular movement and misalignment, durability, static strength, and corrosion resistance. Products meeting the standard ensure a margin of strength in excess of that needed for normal operation.

Digit 5 - Safety

Grade 0: Normal use
 Grade 1: Safety application – to qualify for this grade, handles must have high strength handle to plate and plate to door fixing, and/or handle to spindle fixing, such that they would withstand a person grabbing in order to prevent falling.

Digit 1 - Category of Use

Grade 1: Medium frequency of use with a high incentive to exercise care and small chance of misuse.
 Grade 2: Medium frequency of use with some incentive to exercise care but there is some chance of misuse.
 Grade 3: High frequency of use by public or others with little incentive to exercise care and with a high chance of misuse.
 Grade 4: High frequency of use on doors which are subject to frequent violent use.

Digit 6 - Corrosion Resistance

Grade 0: No defined corrosion resistance
 Grade 1: Mild resistance – minimum requirement for internal use.
 Grade 2: Moderate resistance.
 Grade 3: High resistance – minimum resistance for external use.
 Grade 4: Very high resistance- recommended for use in exposed marine atmospheres or very polluted industrial environments.
 Note: Products intended to develop a natural patina (bronze or brass) are not required to comply with any requirements.

3 7 - C 1 4 0 B

Digit 2 - Durability

Grade 6: Medium use – 100,000 cycles
 Grade 7: High use – 200,000 cycles

Digit 3 - Test Door Mass

No requirement

Digit 7 - Security

Grade 0: Not approved for use on burglary resistant doors.
 Grade 1: Mild burglary resistance.
 Grade 2: Moderate burglary resistance.
 Grade 3: High burglary resistance.
 Grade 4: Extra high burglary resistance.

Note: The main requirements include drilling, close fitting plates or escutcheons to help protect the lock and support the cylinder. They must be resistant to removal from the outside of the door and make provision to minimise the cylinder protection to a minimum of 3mm. Full details can be found within BS EN 1906.

Digit 8 - Type of operation

Type A: Spring assisted furniture
 Type B: Spring loaded furniture
 Type U: Un-sprung furniture

Digit 4 - Fire Resistance

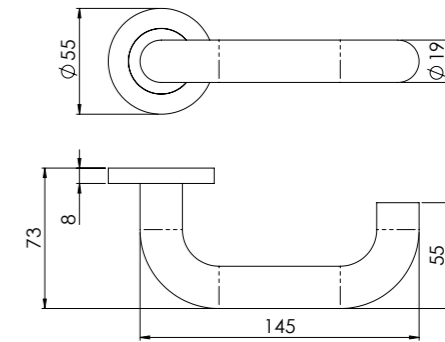
Grade 0: No performance determined.
 Grade A: For use on smoke control doors.
 Grade A1: For use on smoke control doors, tested with 200,000 cycles on a test door.
 Grade B: For use on smoke control and fire resistant doors.
 Grade B1: For use on smoke control and fire resistant doors, tested with 200,000 cycles on a test door.
 Grade C: For use on smoke control and fire resistant doors with requirements for fire protection inlays in backplate, rose and escutcheon.
 Grade C1: For use on smoke control and fire resistant doors with requirements for fire protection inlays in backplate, rose and escutcheon, tested with 200,000 cycles on a test door.

Note: Grades B or C means that the furniture has been included in at least one fire/smoke door test. This is not an indication that the furniture can be used on any fire/smoke door.



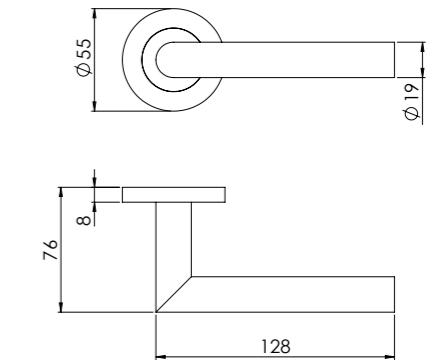
SW4123
Grade 316 Safety Lever

SSS



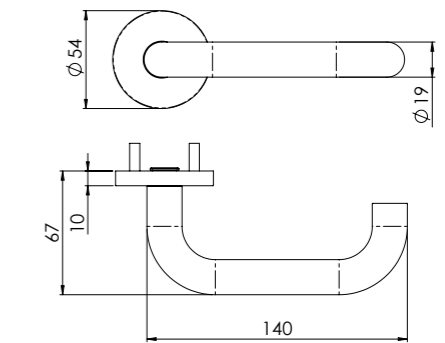

SW4125
Grade 316 Mitred Lever

SSS



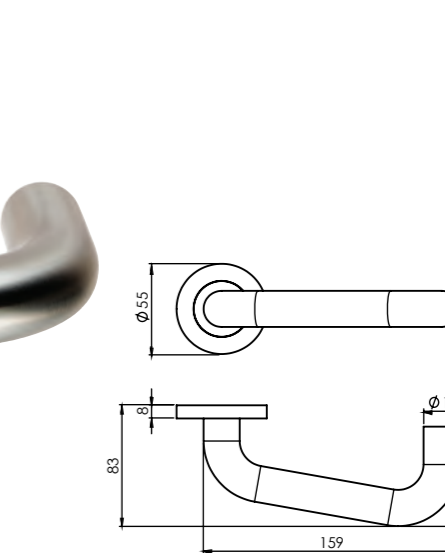

SW4123X/SSS/G304
Grade 304 Safety Lever

SSS




SW4150
Grade 316 Steelworx DDA Ambulant Lever

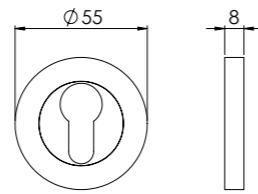
SSS





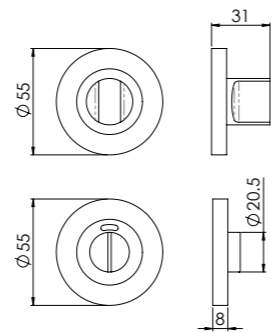
SW4102
Grade 316 Euro Escutcheon

SSS



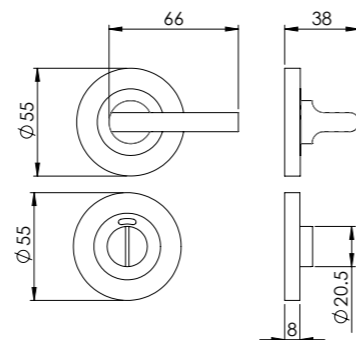
SWT4105-I
Grade 316 Thumbturn & Release with indicator

SSS



SWT4107-I
Grade 316 Thumbturn & Release with indicator

SSS



SW4150SSS

 **Corrosion resistance properties**

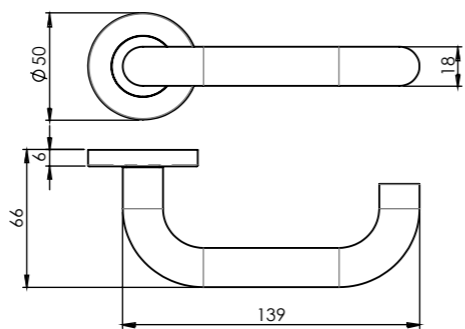
 **Superior durability**



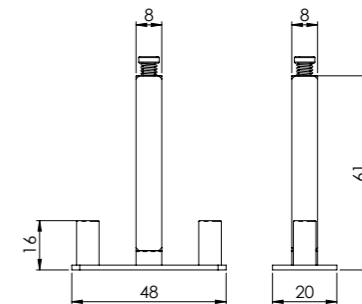


SW123
Grade 316
Steelworx 316 Safety Lever

BSS SSS

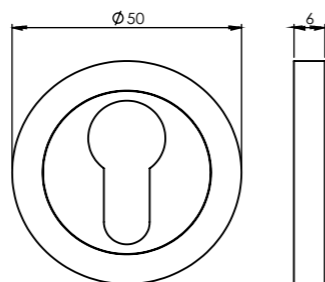


ALP5038
Half set fixing plate for
bolt through furniture

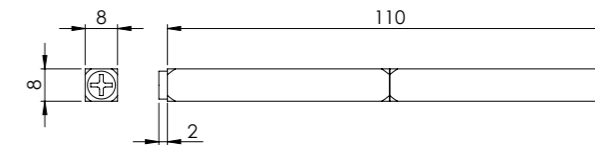


SW102SSS
Grade 316
Steelworx 316 Escutcheon Euro

SSS

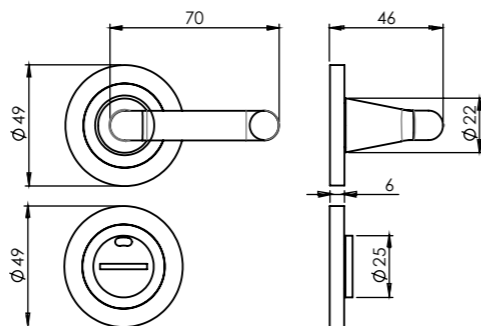


ASS5100
Special split spindle
with locking feature

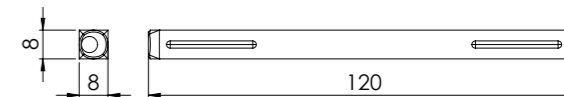


SW105-ISSS
Grade 316
Steelworx 316 Turn & Release

SSS

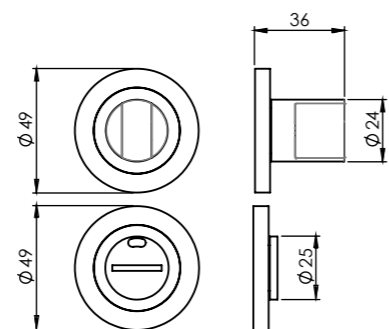


ALS1002H
Heso spindle



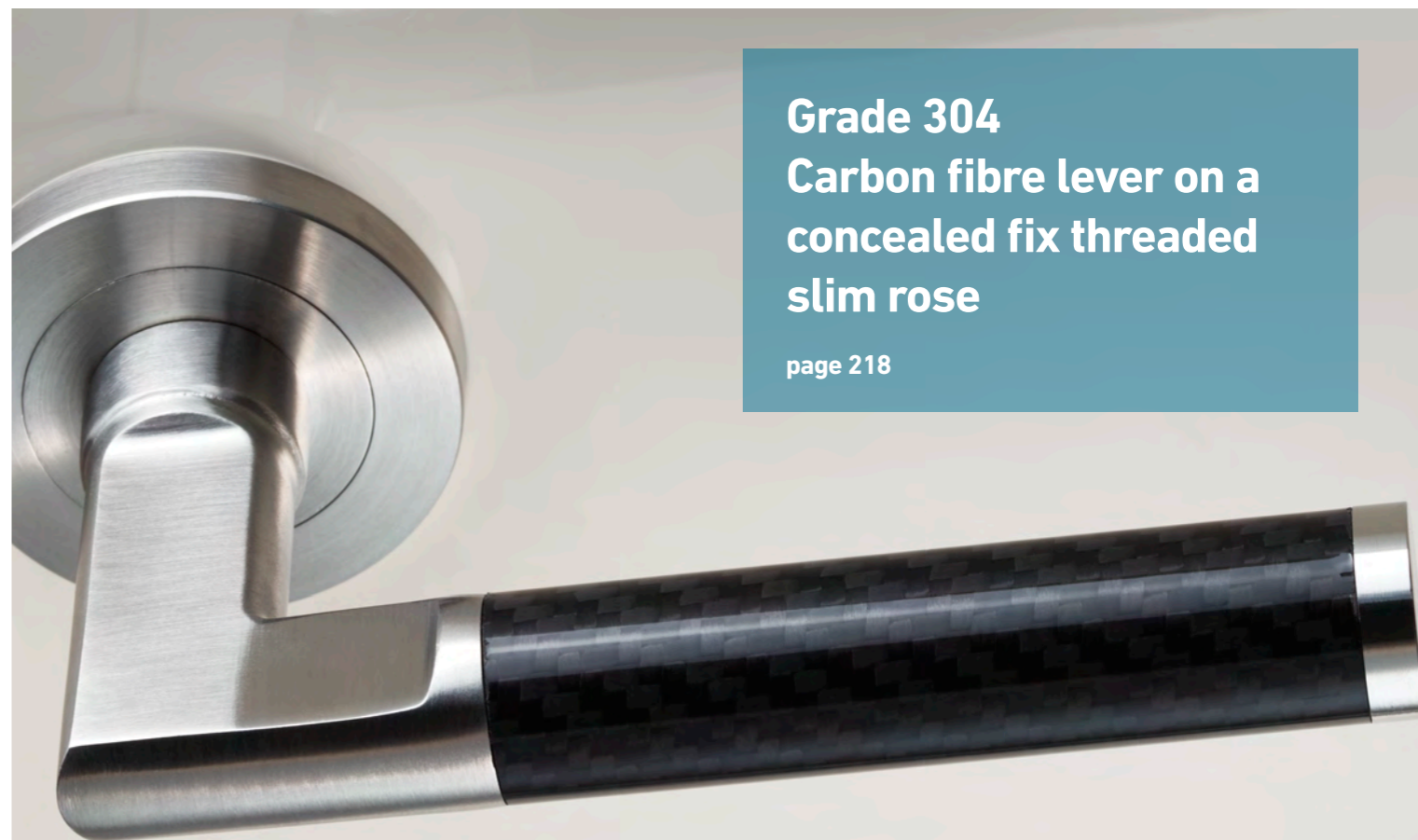
SW107SSS
Grade 316
Steelworx 316 Turn & Release

SSS



**Grade 304
Carbon fibre lever on a
concealed fix threaded
slim rose**

page 218

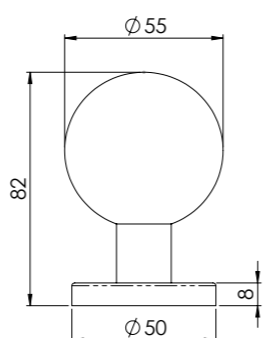


SWL1118SSS








SWKNR1058
Grade 316 Knob on Rose

SSS



Stainless Steel Lever on Screw on Rose

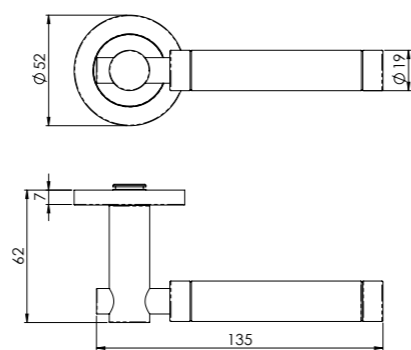
-  **Grade 304 stainless steel**
-  **7mm concealed threaded roses and secure heso spindle fixing**
-  **10-year mechanical guarantee**
-  **Fire door rated**
-  **Suitable for domestic and commercial environments**





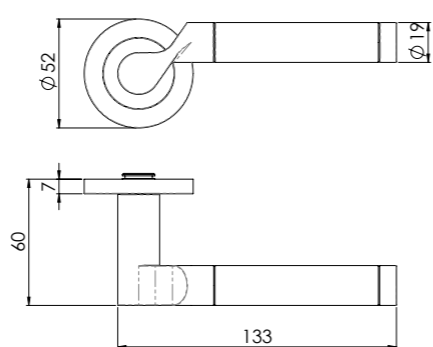
SWL1006DUO
Astoria

BSS/SSS



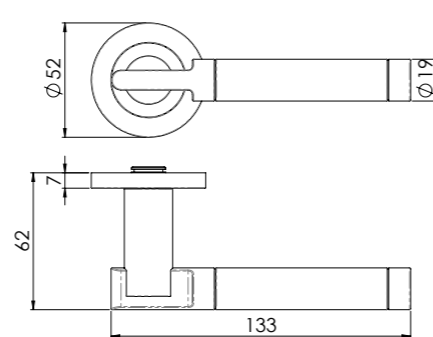
SWL1009DUO
Lucerna

BSS/SSS



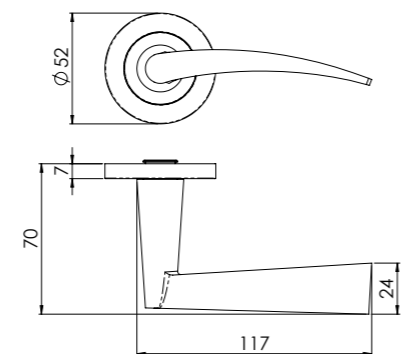
SWL1010DUO
Berna

BSS/SSS



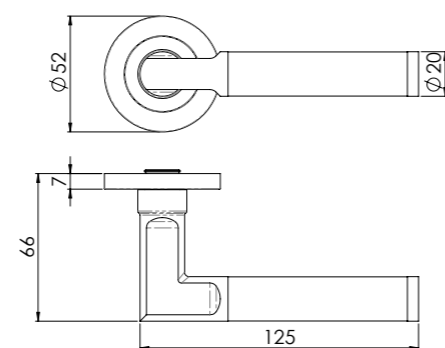
SWL1116
Volantes

SSS



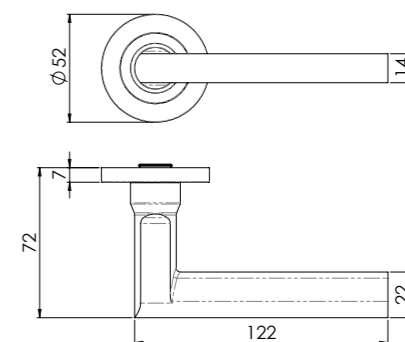
SWL1118
Carbon

SSS



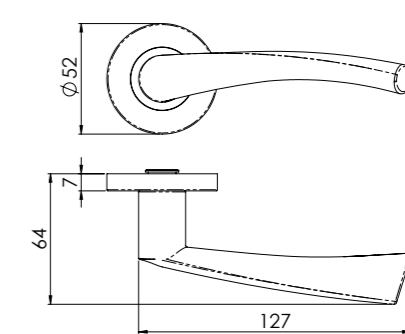
SWL1120
Soho

SSS



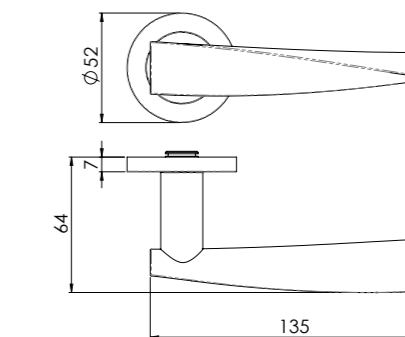
SWL1121
Breeze

New
MB SPVD SSS



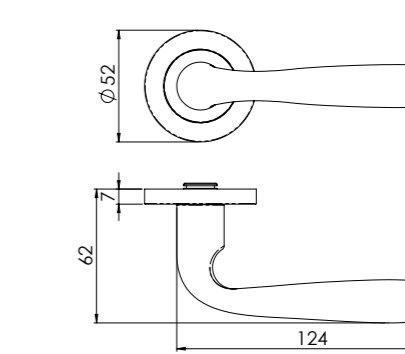
SWL1122
Brema

SSS



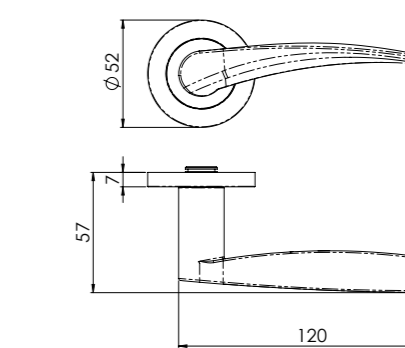
SWL1127
Peninsula

SSS



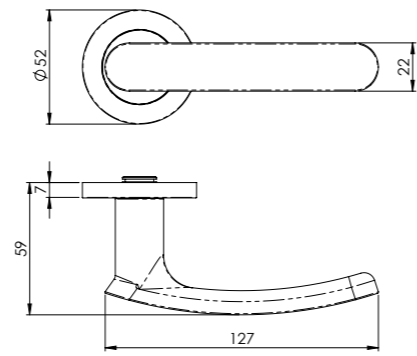
SWL1131
Tirolo

SSS

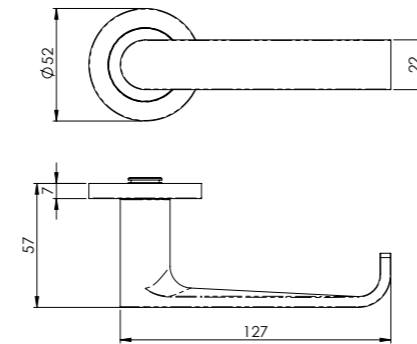




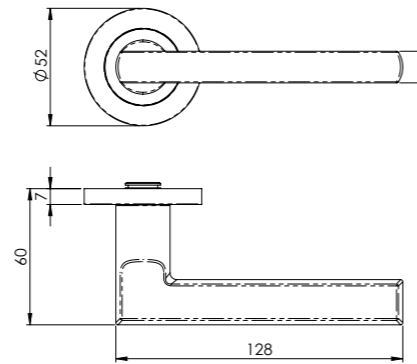
SWL1132
Berlin
SSS



SWL1133
Zurigo
SSS



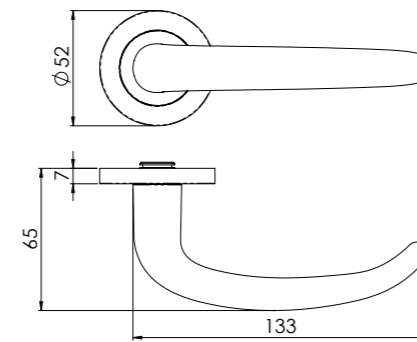
SWL1134
Carlton
SSS



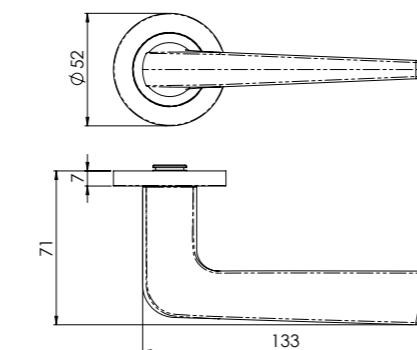
Matching Pull Handles SWP1134/300 & SWP1134/450 on page 253



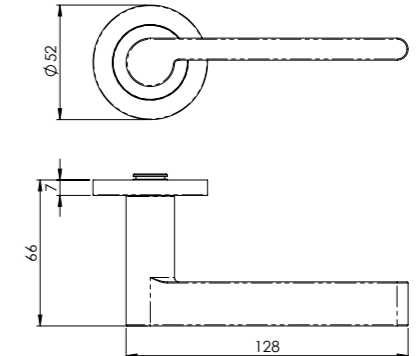
SWL1135
Luenza
SSS



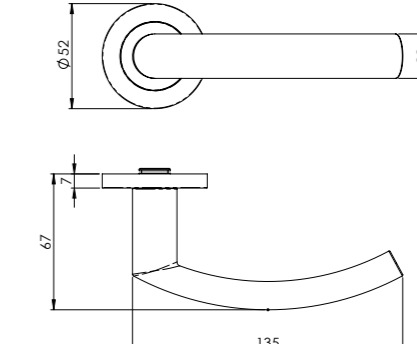
SWL1160
Plaza
SSS



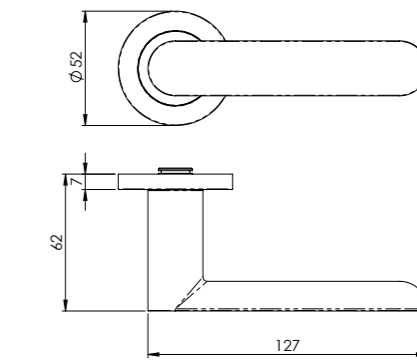
SWL1161
Lubeca
SSS



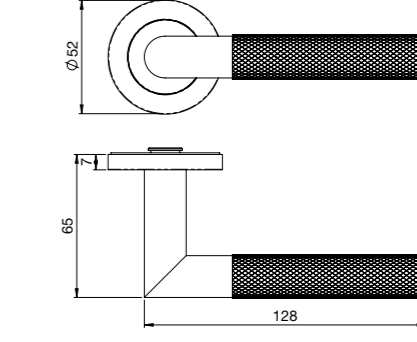
SWL1165
Scimitar
SSS



SWL1168
Parigi
SSS



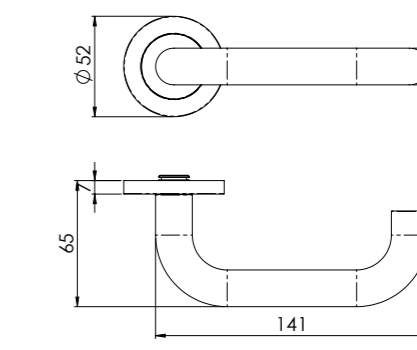
SWL1169
Crown
MB SPVD SSS



Matching Pull Handles SWP1169/300 & SWP1169/450 on page 252



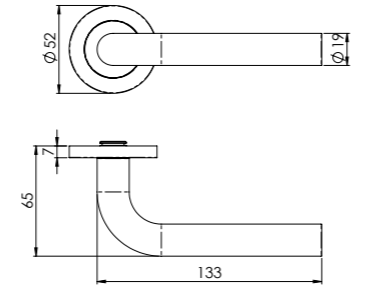
SWL1190
Nera
New MB SPVD SSS



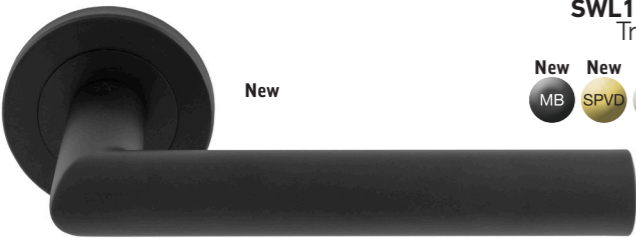
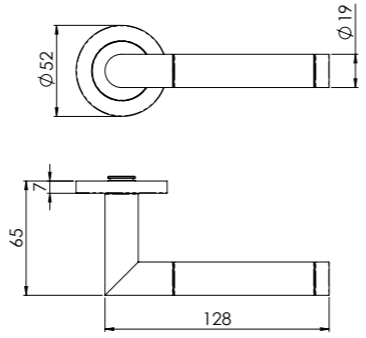
Matching Pull Handles on page 252



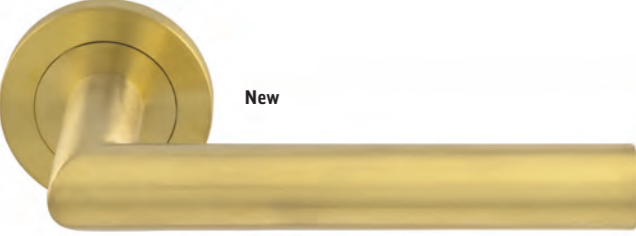
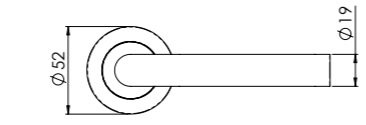
SWL1191
Spira
SSS



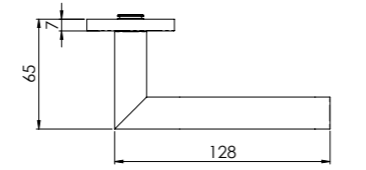
SWL1192DUO
Treviri
BSS/SSS



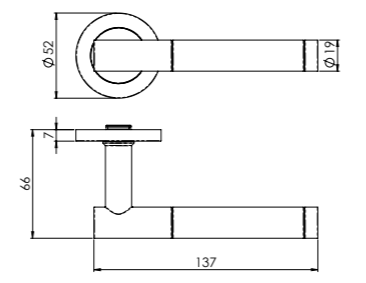
SWL1192
Treviri
New MB SPVD SSS



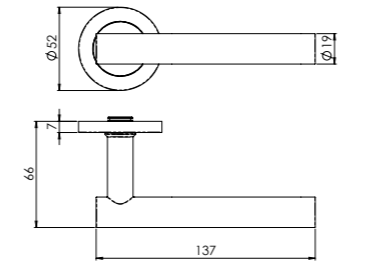
SWL1192
Treviri
New MB SPVD SSS



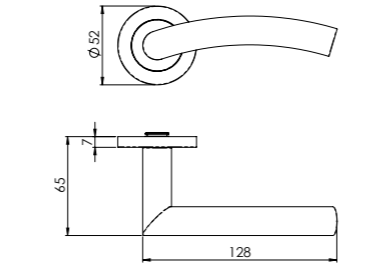
SWL1194DUO
Philadelphia
BSS/SSS



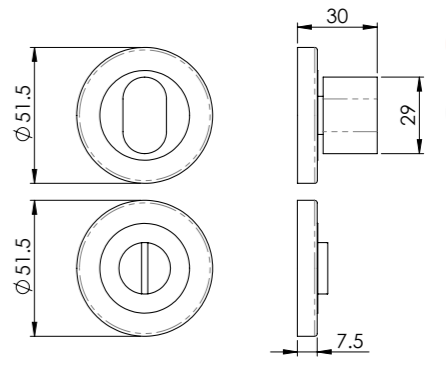
SWL1194DUO
Philadelphia
SSS



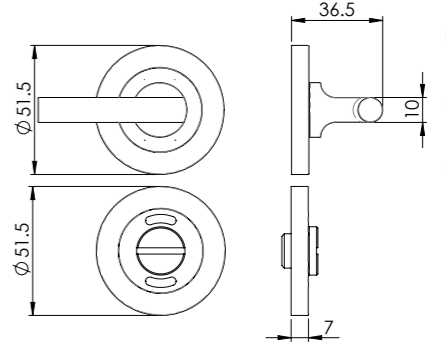
SWL1196
Dresda
SSS



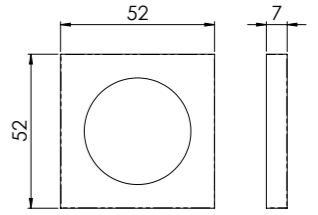
SWT1016
Thumbturn & Release
BSS BSS/SSS MB SPVD SSS



SWT1025-I
Thumbturn & Release
With indicator
New New BSS MB SPVD SSS



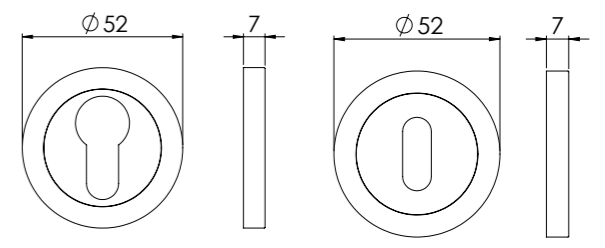
SWR1137
Square Rose Pack
Grub Screw Pack
BSS



SWL102
Euro Escutcheon









SWL103
Lock Escutcheon



SWL1169SSS



Stainless Steel Levers on Square Rose

-  Use for fire rated and smoke control doors to BS EN 1634
-  8mm square concealed roses and secure heso spindle fixing
-  Matching accessories to complete the look
-  Suitable for domestic and commercial environments
-  Stylish architectural quality levers on square rose
-  10-year mechanical guarantee

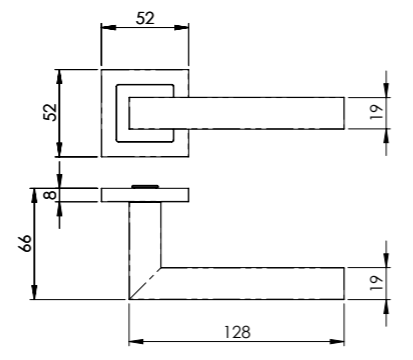


SSL1401MB



SSL1401
Alvar

New
MB SPVD SSS

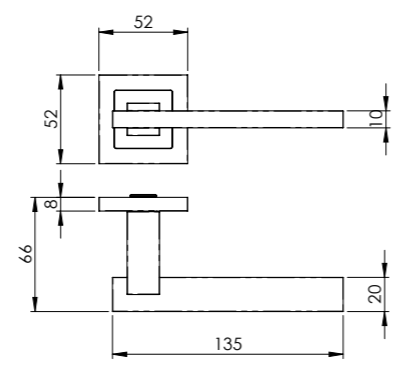


Matching Pull Handles on page 253



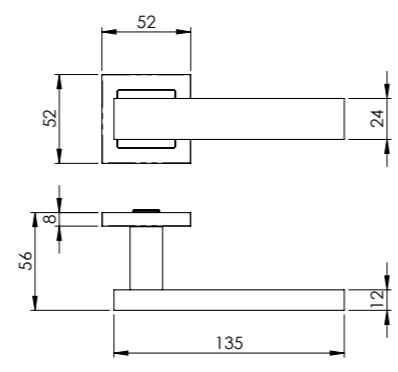
SSL1402
Tange

SSS



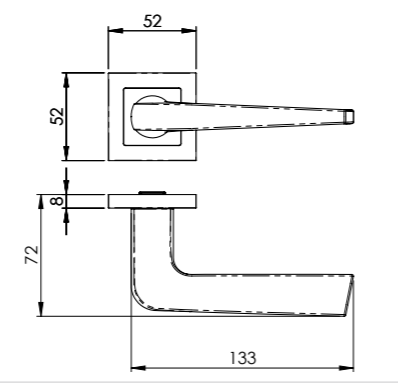
SSL1403
Carla

SSS



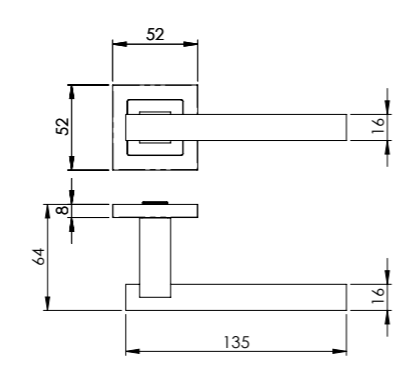
SSL1404
Plaza

SSS



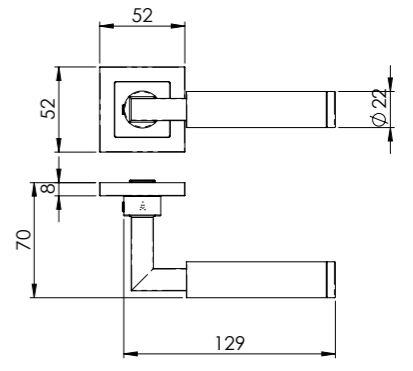
SSL1405
Renzo

BSS/SSS



SSL1406
Fagus

BSS/SSS

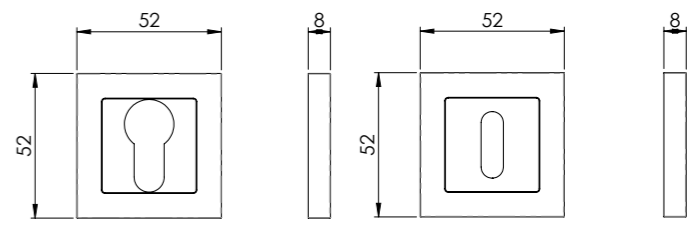


SSE1405MB
Euro Escutcheon

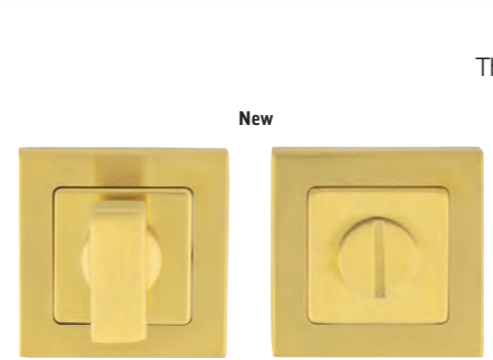
SSP1405SSS/DUO
Lock Escutcheon

New
BSS/SSS MB SPVD SSS

BSS/SSS SSS



(Duo versions supplied with both a duo and satin inner to allow for a single or dual finish)

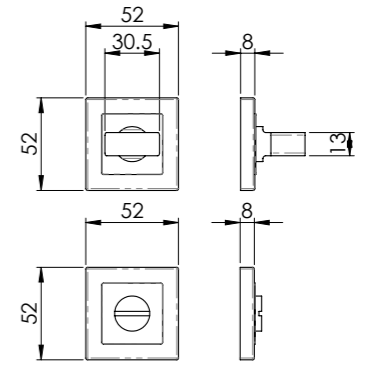


SST1415
Thumbturn & Release

New
BSS/SSS MB SPVD SSS

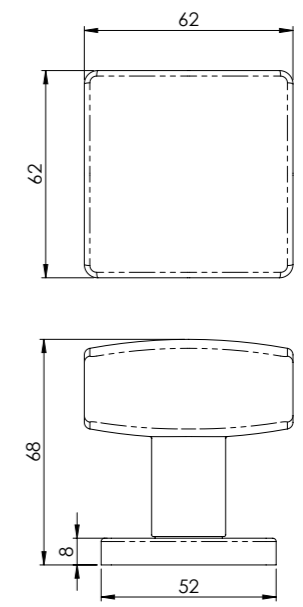
SST1415-I
with Indicator

SSS



SSK1062
Square Knobset
Sprung

SSS



Stainless Steel Levers on Slim Rose

 Grade 304 stainless steel

 Slim fit 6mm rose

 Stainless steel inner rose and secure heso spindle fixing

 Stylish architectural quality levers on round rose

 Fire rated

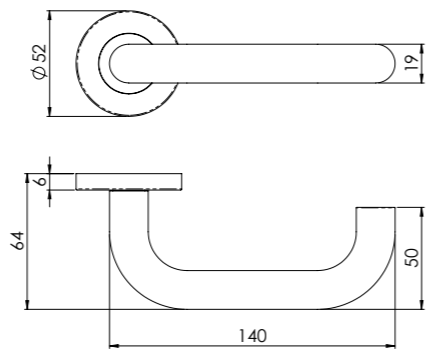
 10-year mechanical guarantee

 Suitable for domestic and commercial environments





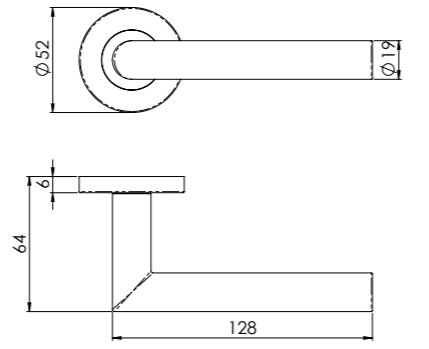
CSL1190/6
Nera
SSS



BS 8000
FD30/AR
TIMBER
FD120/240
STEEL
10 YEAR
304



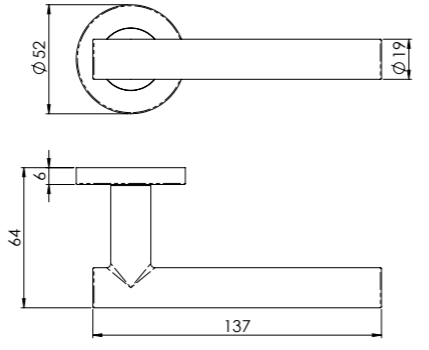
CSL1192/6
Treviri
SSS



FD30/AR
TIMBER
FD120/240
STEEL
10 YEAR
304



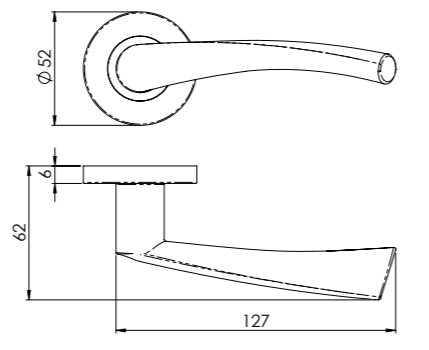
CSL1194/6
Philadelphia
SSS



FD30/AR
TIMBER
FD120/240
STEEL
10 YEAR
304



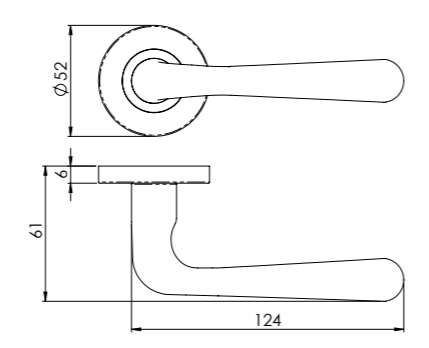
CSL1121/6
Breeze
SSS



FD30/AR
TIMBER
FD120/240
STEEL
10 YEAR
304



CSL1127/6
Peninsula
SSS



FD30/AR
TIMBER
FD120/240
STEEL
10 YEAR
304

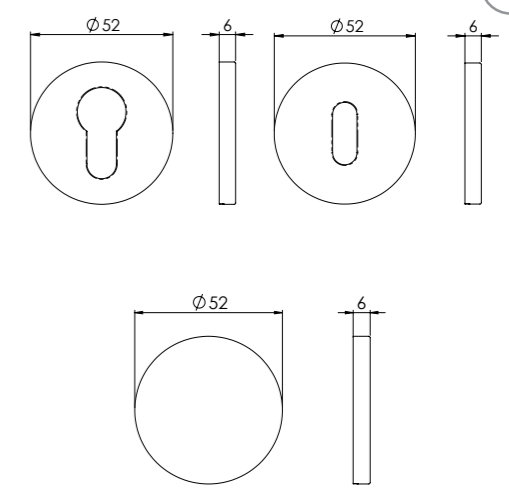


CSE1006
Euro Escutcheon
SSS

CSP1006
Lock Escutcheon
SSS



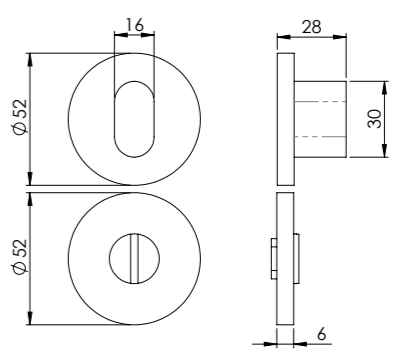
CSB1006
Blank Escutcheon
SSS



FD30/AR
TIMBER
10 YEAR
304



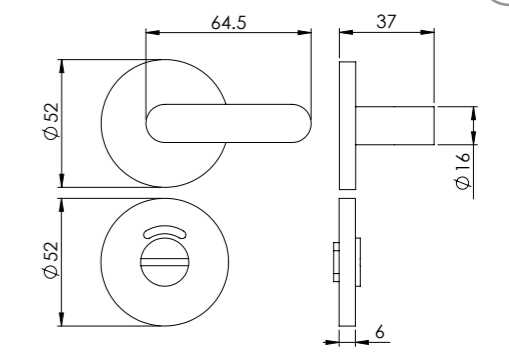
CST1018
Thumbturn & Release with indicator
c/w spare non indicator rose
SSS









10 YEAR
304



CST1028
Thumbturn & Release with indicator
c/w spare non indicator rose
SSS



BS 8000
10 YEAR
304

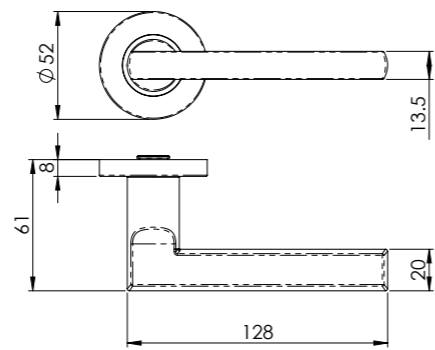
-  Grade 304 stainless steel
-  8mm concealed, zinc plated inner roses
-  Quality sprung levers on round rose
-  10-year mechanical guarantee
-  Fire door rated
-  Suitable for domestic and commercial use

**CSL1194SSS**



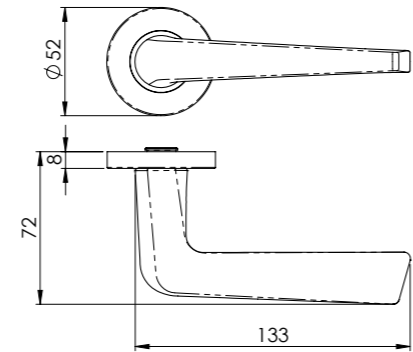
CSL1134
Carlton

SSS



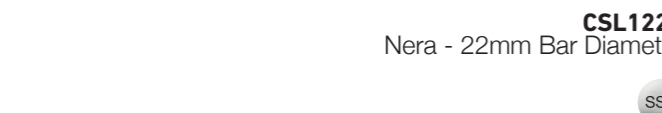
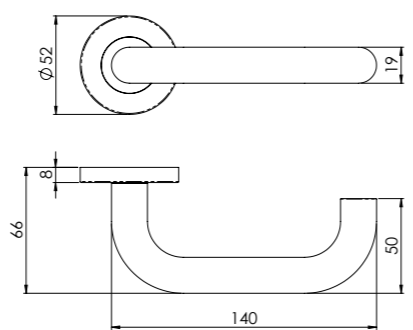
CSL1160
Plaza

SSS



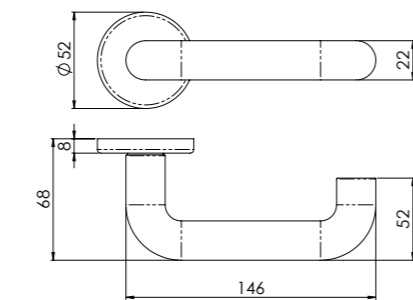
CSL1190
Nera - 19mm Bar Diameter

BSS SSS



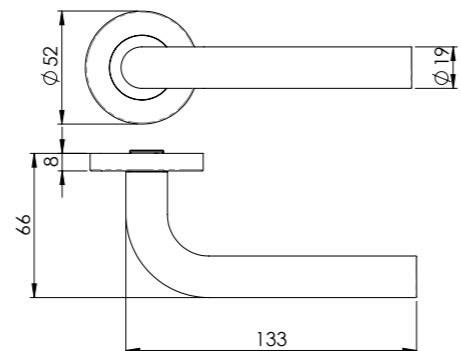
CSL1220
Nera - 22mm Bar Diameter

SSS



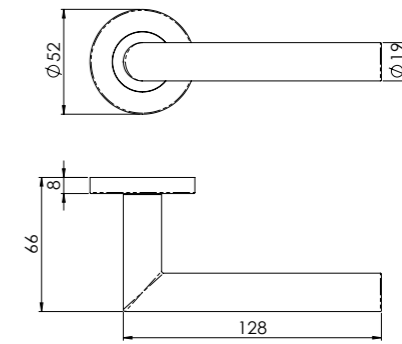
CSL1191
Spira

SSS



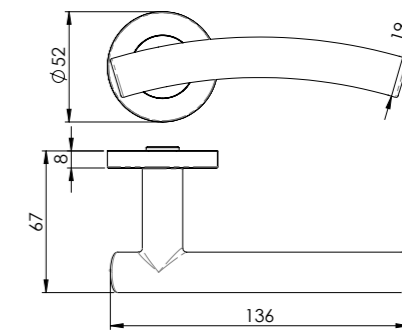
CSL1192
Treviri

BSS SSS



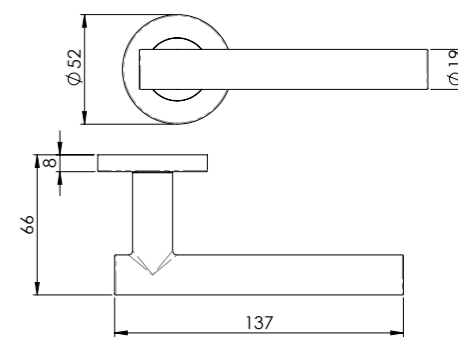
CSL1193
Curved

BSS SSS



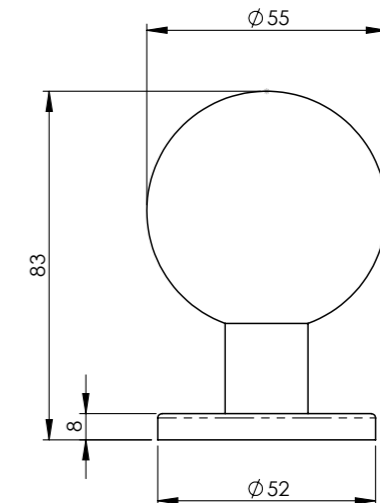
CSL1194
Philadelphia

BSS SSS



CSK1058
Mortice Knob
on Sprung Rose

BSS SSS





CSE1005
Euro Escutcheon

BSS SSS



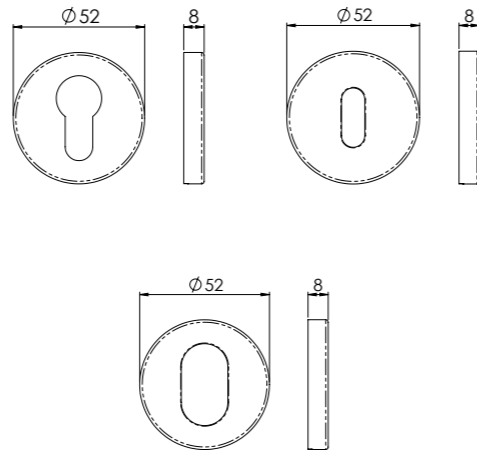
CSP1005
Lock Escutcheon

BSS SSS



CSU1005
Oval Escutcheon

SSS

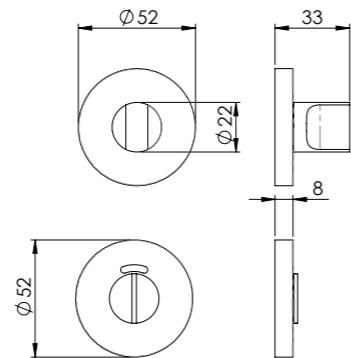


Handles to sockets,
suite stainless steel
finish throughout
the home



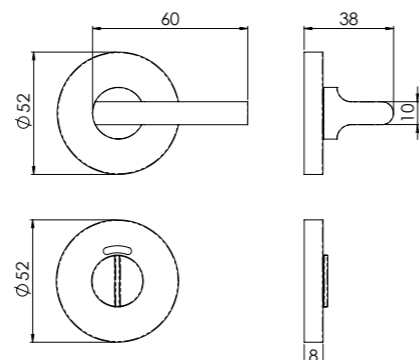
CST1015
Thumbturn & Release
With indicator
c/w spare
non indicator rose

BSS SSS











CST1025
Thumbturn & Release
With indicator
c/w spare
non indicator rose

BSS SSS









Grade 316

-  Entirely manufactured in Grade 316 stainless steel
-  Perfect for retro-fit
-  Secure heso spindle and bolt through fixings
-  Available in euro and DIN centres
-  25-year mechanical guarantee
-  Fire rated
-  Performance tested to 200,000 cycles
-  Suitable for residential and commercial use

Grade 201

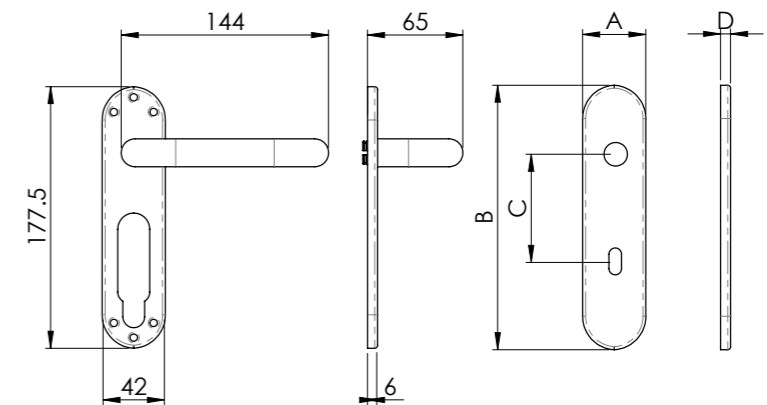
-  10-year mechanical guarantee
-  Suitable for domestic and commercial use
-  Manufactured using Grade 201 stainless steel
-  Pair with our CSL to match lever designs throughout the project









SWLP123
Grade 316 Safety Lever on Inner Plate



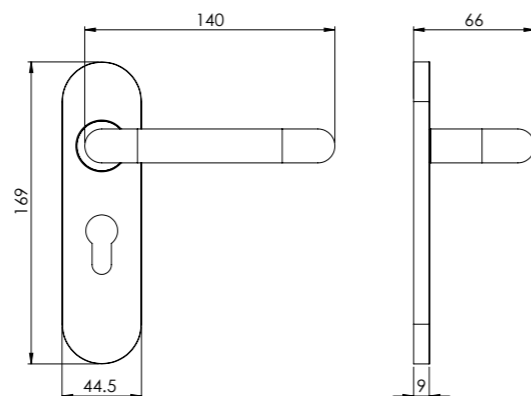
SWLP123 + SWOB



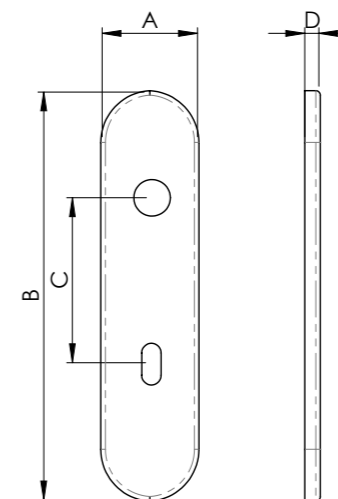
			A	B	C	D
	SWOB	Latch Plate	45	180	N/A	7
	SWOE	Euro Plate - 47.5mm c/c	45	180	47.5	7
	SWOT-I	UK Bathroom Plate - 57mm c/c & Turn	45	180	57	7
	SWOP	Lock Plate	45	180	57	7
	SWOE/72	Euro Plate - Din 72mm c/c (Suitable for use with DIN lock)	45	180	72	7
	SWOT-I/78	Bathroom Plate - Din 78mm c/c (Suitable for use with DIN lock)	45	180	78	7



CSLP1190 + CPRE1170



CSLP1190
Grade 201 Safety Lever on Inner Plate



CPRB1170

Latch Plate

	A	B	C	D
CPRB1170	45	174	N/A	9



CPRP1170

Lock Plate

CPRP1170	45	174	57	9
----------	----	-----	----	---



CPRE1170

Euro Plate 47.5mm c/c

CPRE1170	45	174	47.5	9
----------	----	-----	------	---



CPRE1170/72

Euro Plate 72mm c/c

CPRE1170/72	45	174	72	9
-------------	----	-----	----	---



CPRT1170

Bathroom Plate 57mm c/c & Turn

CPRT1170	45	174	57	9
----------	----	-----	----	---



CPRT1170/78

Bathroom Plate 78mm c/c & Turn

CPRT1170/78	45	174	78	9
-------------	----	-----	----	---



CPRTL1170

UK Bathroom Plate 57mm c/c & Turn

CPRTL1170	45	174	57	9
-----------	----	-----	----	---



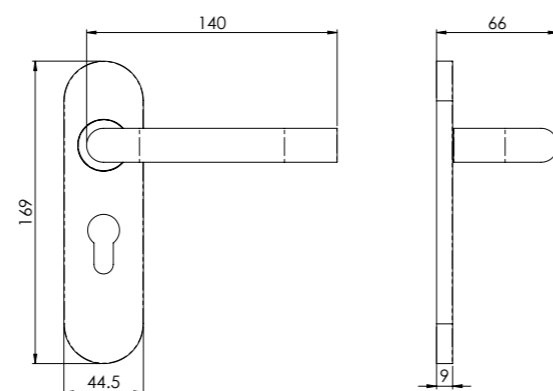
CPRU1170

Oval Plate 48.5mm c/c

CPRU1170	45	174	48.5	9
----------	----	-----	------	---

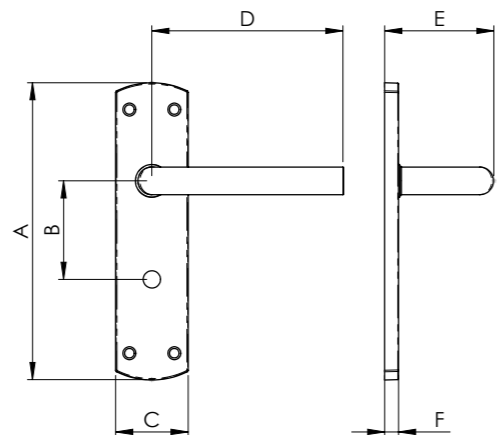


CSLP1191 + CPRE1170



CSLP1191
Grade 201 Straight Lever on Inner Plate





CSLP1162B
Grade 201 Mitred on Latch Backplate

SSS

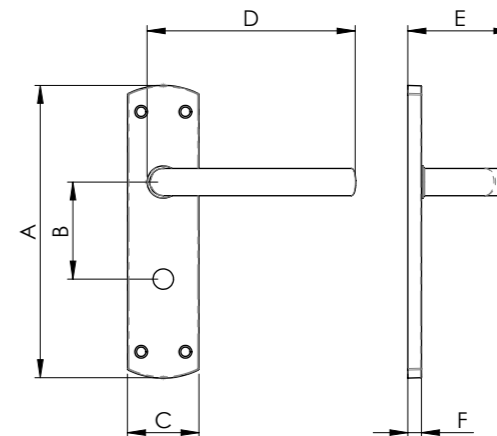
CSLP1162P
Lock

CSLP1162E
Euro

CSLP1162T
Bathroom



	A	B	C	D	E	F
CSLP1162E	172	47.5	42	120	62	8
CSLP1162P	172	57	42	120	62	8
CSLP1162B	172	-	42	120	62	8
CSLP1162T	172	57	42	120	62	8



CSLP1167T
Grade 201 Arched on Bathroom Backplate

SSS

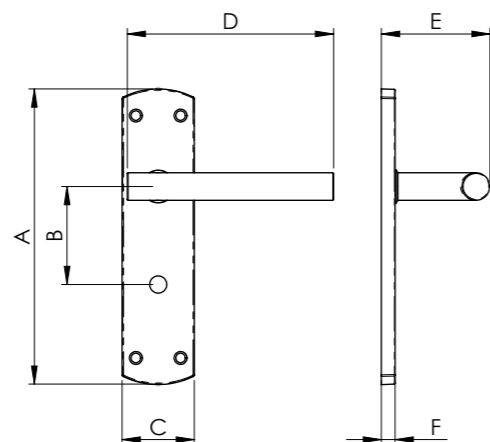
CSLP1167P
Lock

CSLP1167E
Euro

CSLP1167B
Latch



	A	B	C	D	E	F
CSLP1167E	172	47.5	42	122	62	8
CSLP1167P	172	57	42	122	62	8
CSLP1167B	172	-	42	122	62	8
CSLP1167T	172	57	42	122	62	8



CSLP1164P
Grade 201 T-Bar on Lock Profile Backplate

SSS

CSLP1164B
Latch

CSLP1164E
Euro

CSLP1164T
Bathroom



	A	B	C	D	E	F
CSLP1164E	172	47.5	42	120	62	8
CSLP1164P	172	57	42	120	62	8
CSLP1164B	172	-	42	120	62	8
CSLP1164T	172	57	42	120	62	8



CSLP1162BSSS



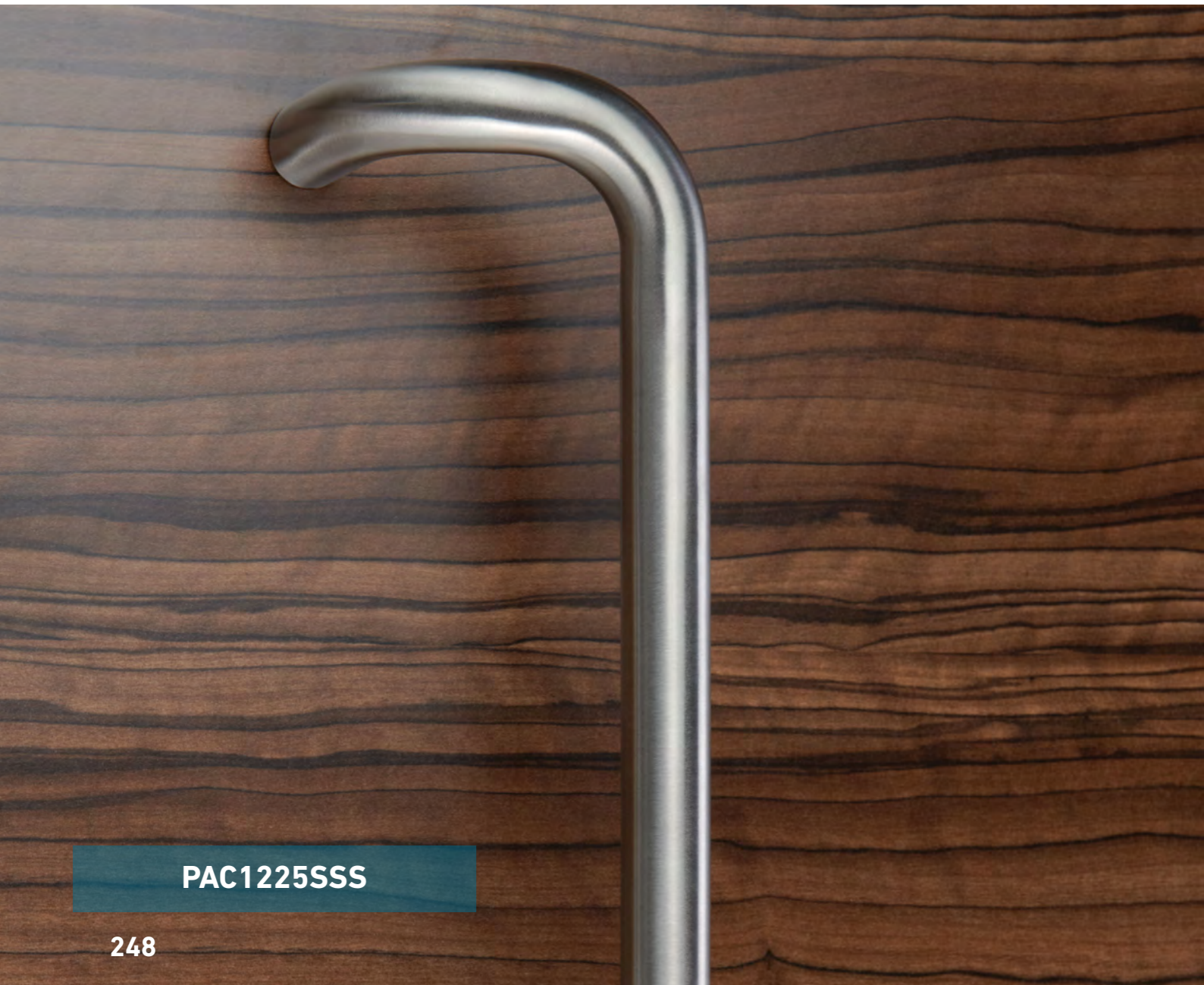
Grade 316

- ★ Various bar diameters and lengths
- ★ Perfect for environments where the doors are subject to frequent and vigorous use
- ★ Fire-rated
- ★ 25-year mechanical guarantee

Grade 304

- ★ Stylish architectural quality pull handles
- ★ 10-year mechanical guarantee
- ★ Fire door rated
- ★ Suitable for both domestic and commercial environments
- ★ Pair with SWL, SSL and CSL lever handles

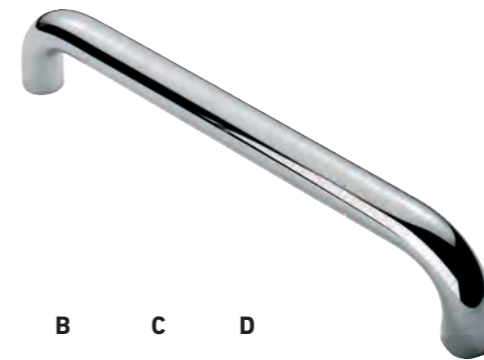
NOTE: Back to back fixing kits available on page 254-255 - please contact the sales team on 01228 511030



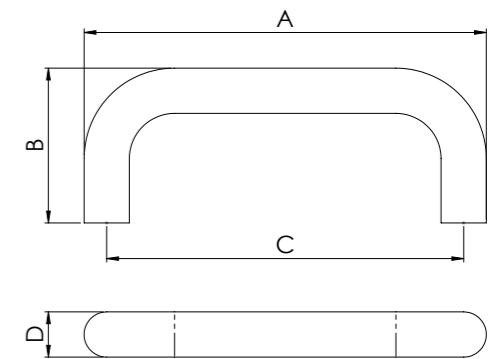
PAC1225SSS

Grade 316

Grade 316 D Pull Handle



	A	B	C	D	
PAD1150	169	65	150	19	SSS
PAD1225	244	65	225	19	SSS
PAD1300	319	65	300	19	SSS
PAD1450	469	65	450	19	SSS
PFD1225	247	67	225	22	SSS
PFD1300	322	67	300	22	SSS
PBD1300	325	70	300	25	BSS SSS
PCD1450	480	75	450	30	SSS
PCD1600	630	75	600	30	SSS
PCD11800	1830	75	1800	30	SSS

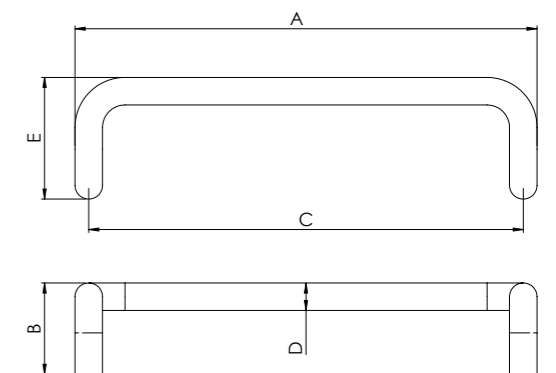


Back to back fixings kit BBF to suit measurement D

Grade 316 Cranked Pull Handle



	A	B	C	D	E	
PAC1225	244	65	226	19	90	SSS
PAC1300	319	65	300	19	90	SSS
PAC1600	619	65	600	19	90	SSS
PBC1300	325	80	300	25	100	SSS
PCC1450	480	80	450	30	140	SSS
PCC1600	630	80	600	30	140	SSS

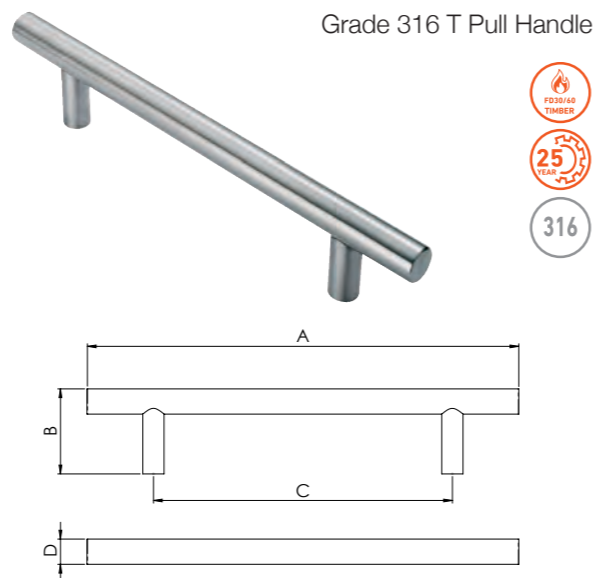


Back to back fixings kit BBF to suit measurement D

Grade 316

	A	B	C	D	
PAT1225	325	65	225	19	SSS
PAT1300	400	65	300	19	SSS
PFT1225	325	67	225	22	SSS
PFT1300	400	67	300	22	SSS
PBT1300	420	70	300	25	SSS
PCT1450	600	70	450	30	SSS
PCT1600	775	70	600	30	SSS
PCT1900	1070	70	900	30	SSS
PCT11200	1200	70	1000	30	SSS
PCT11800	1800	70	1630	30	SSS

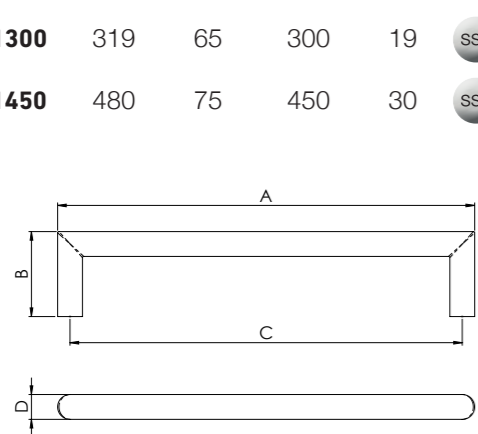
Grade 316 T Pull Handle



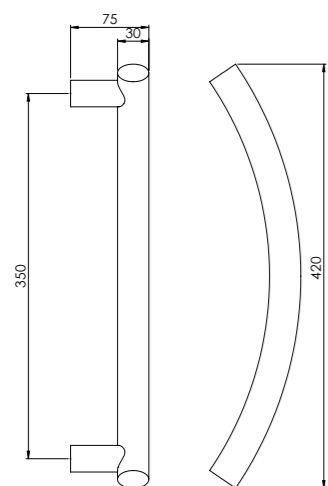
Back to back fixing kits to suit - please contact the sales team

	A	B	C	D	
PAM1300	319	65	300	19	SSS
PCM1450	480	75	450	30	SSS

Grade 316 Mitred Pull Handle



Back to back fixings kit BBF to suit measurement D



PCTS1350
Grade 316 Curved T Pull Handle



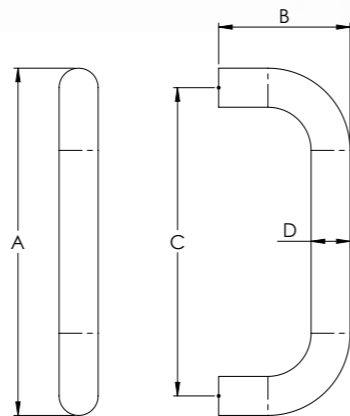
Back to back fixings kit BBF1025 to suit



Grade 201/304 D Pull Handle

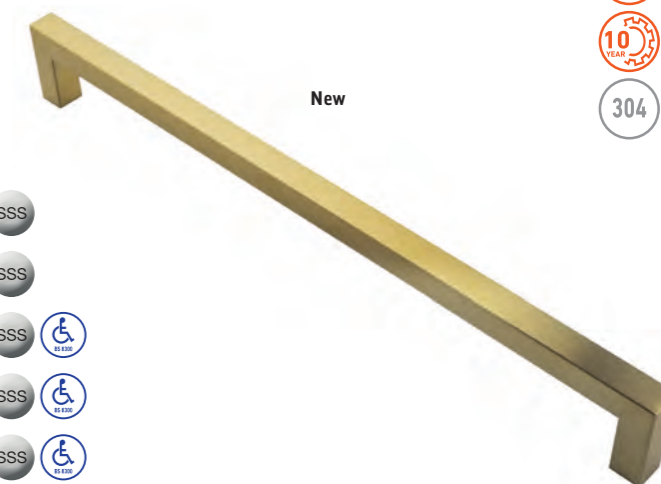


	A	B	C	D		
CSD1150	169	64	150	19	BSS	SSS
CSD1225	244	64	225	19	BSS	SSS
CSD1300	319	64	300	19	BSS	MB SPVD SSS
CSD1425	444	64	425	19		SSS
CSD1450	469	64	450	19	BSS	MB SPVD SSS
CSD1600	619	64	600	19	BSS	SSS
CFD1150	172	66	150	22		SSS
CFD1225	247	66	225	22		SSS
CFD1300	322	66	300	22		SSS
CFD1450	472	66	450	22		SSS
CFD1600	622	66	600	22		SSS

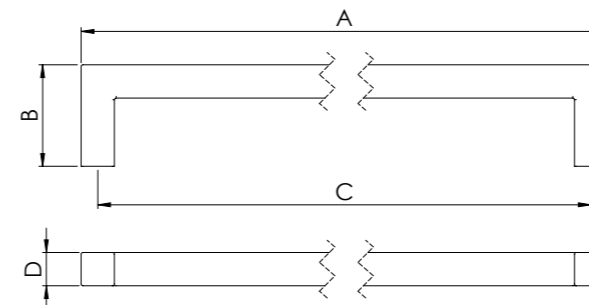


Only MB/SPVD are Grade 304
 Matching Lever SWL1190 on page 221
 Back to back fixings kit BBF to suit measurement D

Grade 304 Square Mitred Pull Handle



	A	B	C	D		
SSM1415	169	58	150	19		SSS
SSM1422	244	58	225	19		SSS
SSM1430	319	58	300	19		SSS
SSM1445	469	58	450	19	MB SPVD	SSS
SSM1460	619	58	600	19		SSS

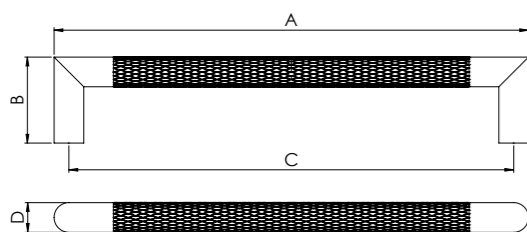


Matching Lever SSL1401 on page 226
 Back to back fixings kit BBF1019/SQ to suit

Grade 304 Knurled Mitred Pull Handle



	A	B	C	D		
SWP1169/300	320	58	300	20	MB	SPVD SSS
SWP1169/450	470	58	450	20	MB	SPVD SSS

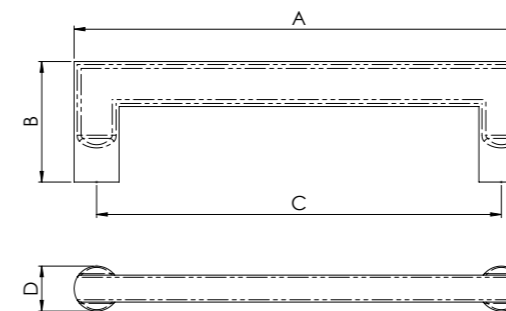


Only MB/SPVD are Grade 304
 Matching Lever SWP1169 on page 221
 Back to back fixings kit BBF1019 to suit

Grade 304 Carlton Pull Handle



	A	B	C	D	
SWP1134/300	325	67	300	25	SSS
SWP1134/450	475	67	450	25	SSS



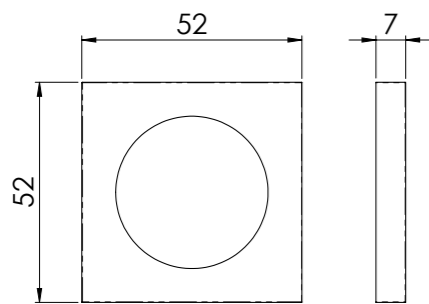
Matching Lever SWL1134 on page 220
 Back to back fixings kit BBF1025 to suit

Grade 304

SWR1137
Square Rose Pack
Grub Screw Pack

BSS

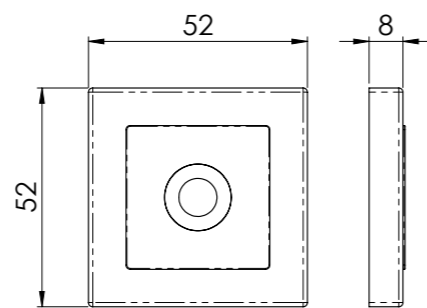
304



SSR1405SS/DUO
Rose Pack
(Supplied with both a polished and satin inner to allow for a single or dual finish)

BSS/SSS

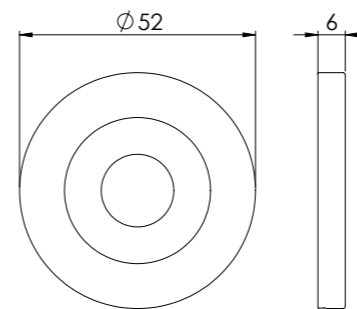
304



CSR1005
Rose Pack
In pairs to suit CSD pull handles

BSS/SSS

304



SBF1016
Bolt cap fixing pack
To suit 16mm handles

BSS SSS

To suit 19mm handles



BSS SSS

To suit 22mm handles

BSS SSS

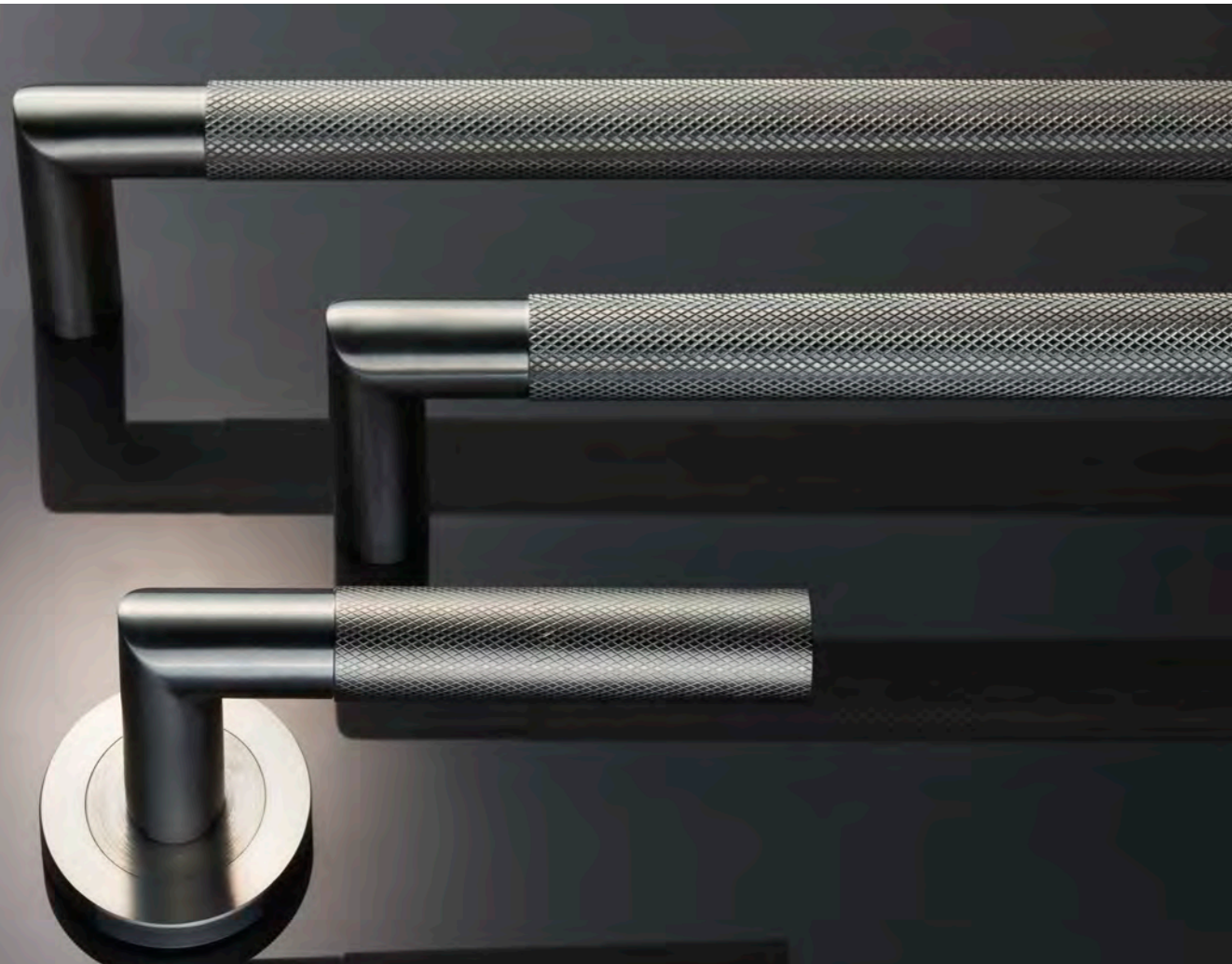
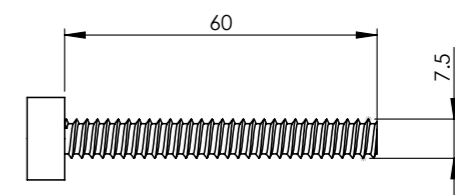
To suit 25mm handles

BSS SSS

To suit 30mm handles

BSS SSS

304



BBF1019
Back to back fixing pack
To suit 19mm handles

New
BSS MB SPVD SSS



To suit 22mm handles

BSS SSS

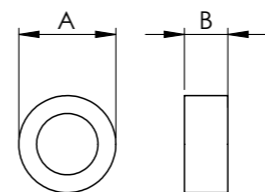
To suit 25mm handles

BSS SSS

To suit 30mm handles

BSS SSS

304

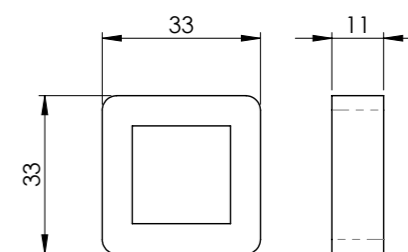


	A	B
BBF1019	19	19
BBF1022	22	22
BBF1025	25	25
BBF1030/2	30	30

BBF1019SS/SQ
Square back to back fixing pack
To suit 19mm handles

SSS

304



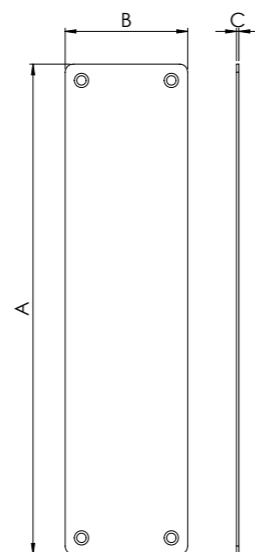




Plain Finger Plate



	A	B	C		
FPP1300	300	75	1.5	BSS	SSS
FPP1350	350	75	1.5	BSS	New MB New SPVD SSS
FPP1500	500	75	1.5	BSS	New MB New SPVD SSS
FPP1650	650	75	1.5		SSS



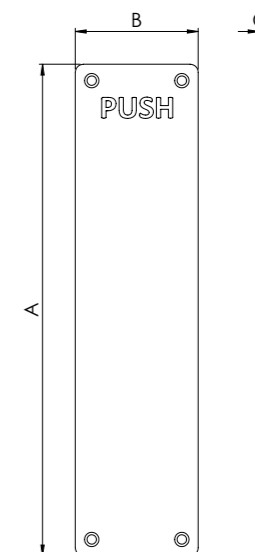
Only MB/SPVD are Grade 304



Push Finger Plate



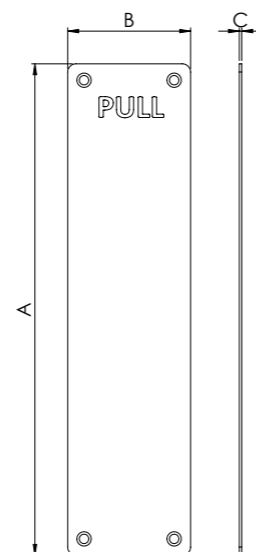
	A	B	C	
FPP1302	300	75	1.5	SSS
FPP1352	350	75	1.5	SSS



Pull Finger Plate



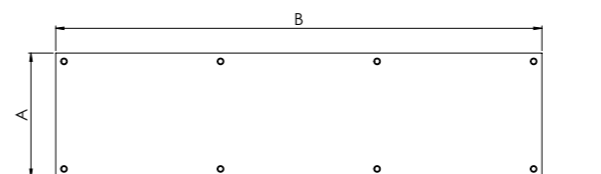
	A	B	C	
FPP1301	300	75	1.5	SSS
FPP1351	350	75	1.5	SSS



Kickplate

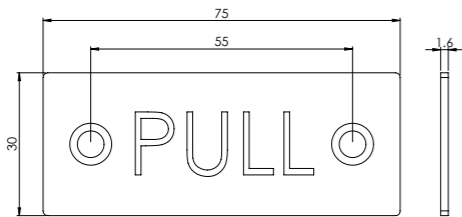


	A	B	C	
KPP1590	150	590	1.2	SSS
KPP1615	150	615	1.2	SSS
KPP1650	150	650	1.2	SSS
KPP1675	150	675	1.2	SSS
KPP1690	150	690	1.2	SSS
KPP1715	150	715	1.2	SSS
KPP1725	150	725	1.2	SSS
KPP1750	150	750	1.2	SSS
KPP1790	150	790	1.2	SSS
KPP1805	150	805	1.2	SSS
KPP1815	150	815	1.2	SSS
KPP1830	150	830	1.2	SSS
KPP1855	150	855	1.2	SSS
KPP1880	150	880	1.2	SSS
KPP1890	150	890	1.2	SSS
KPP1905	150	905	1.2	SSS
KPP1915	150	915	1.2	SSS

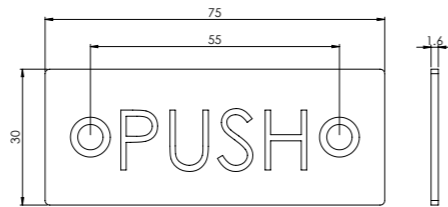




SSS **FPA1301**
Pull Sign



SSS **FPA1302**
Push Sign



BSS SSS **SEX1011**
Male



BSS SSS **SEX1012**
Female



BSS SSS **SEX1014**
Shower



New BSS MB SSS **SEX1015**
Fire Door
Keep Locked



New BSS MB SSS **SEX1016**
Fire Door
Keep Shut



BSS SSS **SEX1017**
Disabled



BSS SSS **SEX1018**
Unisex



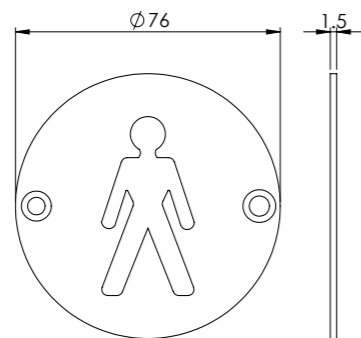
BSS SSS **SEX1019**
Baby
Change



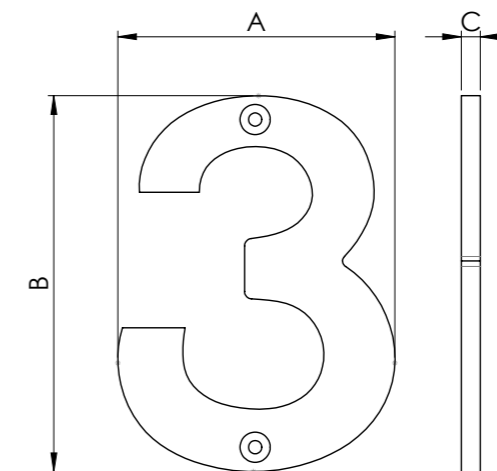
BSS SSS **SEX1021**
Fire Escape
Keep Clear



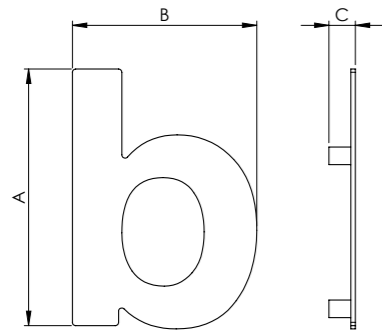
BSS SSS **SEX1022**
Automatic
Fire Door
Keep Clear



		A	B	C	
LET1050A	Letter a	32	38	2	SSS
NUM10500	Numeral 0	36	50	2	BSS SSS
NUM10501	Numeral 1	23	50	2	BSS SSS
NUM10502	Numeral 2	36	50	2	BSS SSS
NUM10503	Numeral 3	37	50	2	BSS SSS
NUM10504	Numeral 4	36	50	2	BSS SSS
NUM10505	Numeral 5	37	50	2	BSS SSS
NUM10506/9	Numeral 6/9	36	50	2	BSS SSS
NUM10507	Numeral 7	35	50	2	BSS SSS
NUM10508	Numeral 8	31.5	50	2	BSS SSS
LET10100A	Letter a	67.5	80.5	5	SSS
NUM10100	Numeral 0	72	100	5	BSS SSS
NUM10101	Numeral 1	45.5	100	5	BSS SSS
NUM10102	Numeral 2	69	100	5	BSS SSS
NUM10103	Numeral 3	74	100	5	BSS SSS
NUM10104	Numeral 4	73.5	100	5	BSS SSS
NUM10105	Numeral 5	72.5	100	5	BSS SSS
NUM10106/9	Numeral 6/9	72	100	5	BSS SSS
NUM10107	Numeral 7	70	100	5	BSS SSS
NUM10108	Numeral 8	71.5	100	5	BSS SSS



★ Oversized Concealed Fix Letters & Numerals



		A	B	C	
LET1090A	Letter a	89	80	12	SSS
LET1090B	Letter b	117.5	84	12	SSS
LET1090C	Letter c	89	79.5	12	SSS
NUM10170	Numeral 0	178	119.5	12	SSS
NUM10171	Numeral 1	178	78.5	12	SSS
NUM10172	Numeral 2	178	120	12	SSS
NUM10173	Numeral 3	178	119	12	SSS
NUM10174	Numeral 4	178	125	12	SSS
NUM10175	Numeral 5	178	120	12	SSS
NUM10176/9	Numeral 6/9	178	119.5	12	SSS
NUM10177	Numeral 7	178	128	12	SSS
NUM10178	Numeral 8	178	119.5	12	SSS



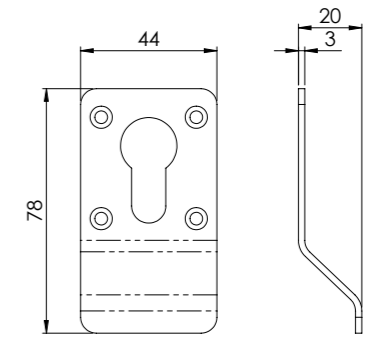
New



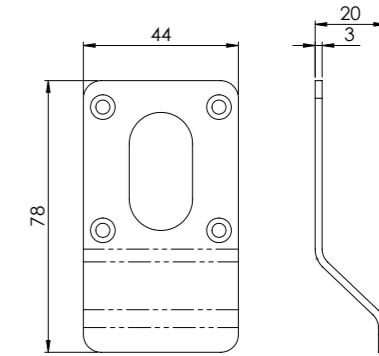
ECP1000
Euro Cylinder Pull



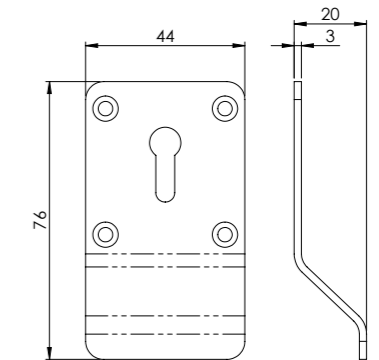
Only MB/SPVD are Grade 304



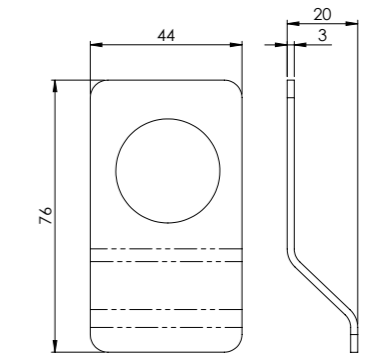
OCP1000
Oval Cylinder Pull



PCP1000
Lock Cylinder Pull



RCP1000
Rim Cylinder Pull

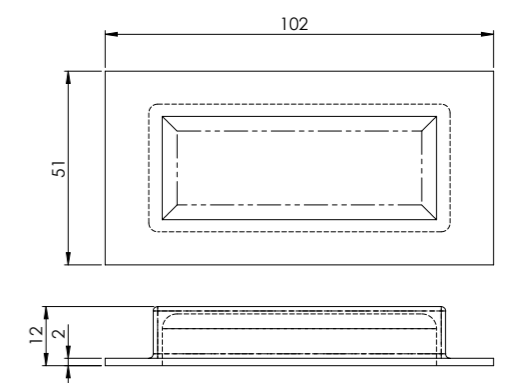


New

FPH1000
Rectangular Flush Pull



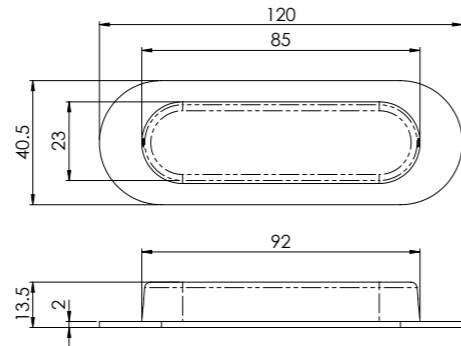
Only MB/SPVD are Grade 304





New

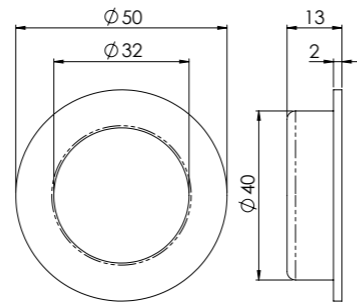
FPH1001
Radius Flush Pull
New New
BSS MB SPVD SSS



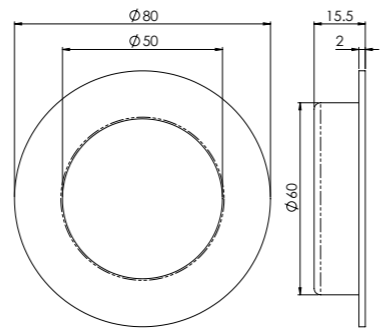
Only MB/SPVD are Grade 304



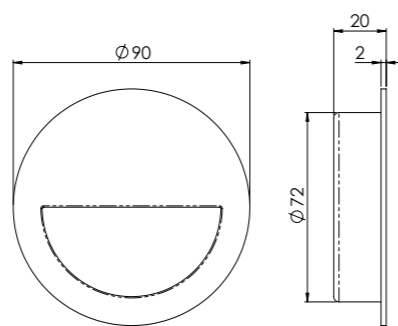
FPH1002
Circular Flush Pull
BSS SSS



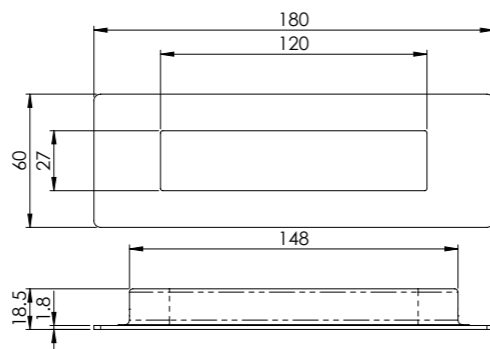
FPH1003
Circular Flush Pull
BSS SSS



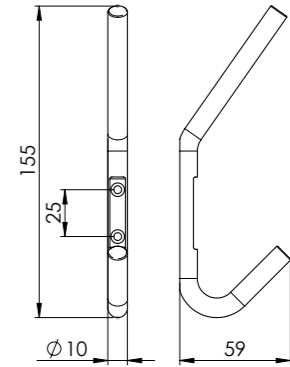
FPH1004
Circular Flush Pull
BSS SSS



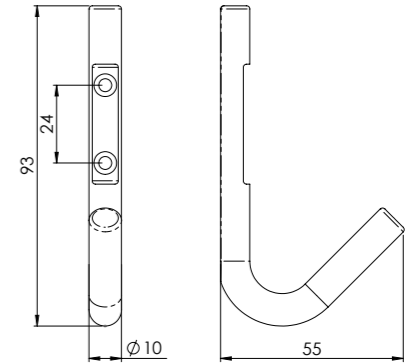
FPH1180
Large Rectangular Flush Pull
BSS SSS



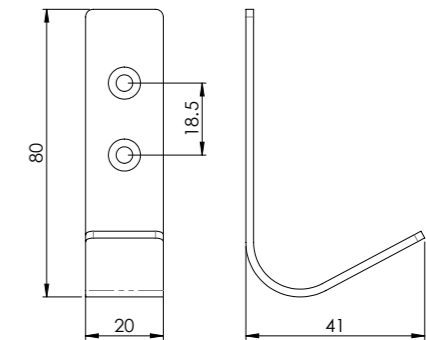
HCH1010
Hat and Coat Hook
BSS SSS



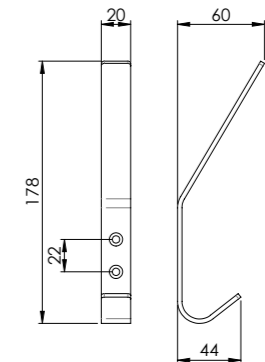
HCH1011
Coat Hook
BSS SSS



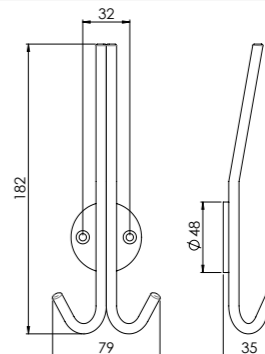
HCH1012
Flat Coat Hook
BSS SSS



HCH1013
Flat Hat and Coat Hook
BSS SSS

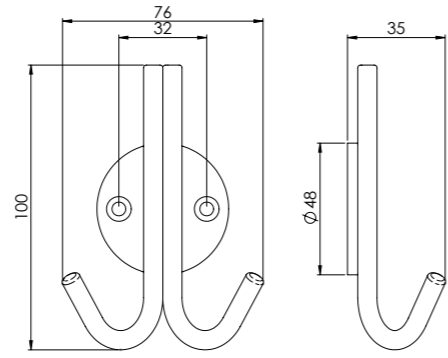


HCH1014
Hat and Double Coat Hook
BSS SSS

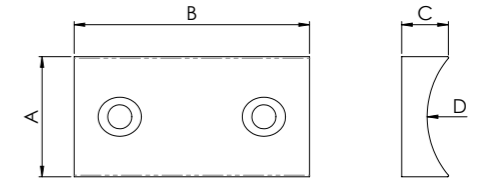




HCH1015
Double Coat Hook
BSS SSS



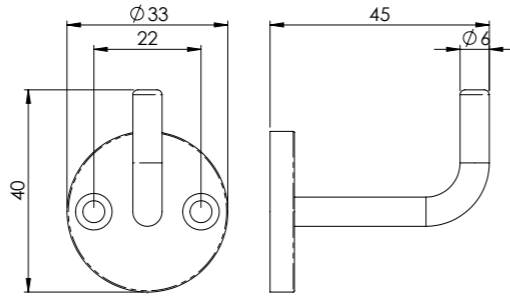
HBS1038
HBS1050
Saddle
To suit 38mm + 50mm dia. handrail
SSS



	A	B	C	D
HBS1038	25	50	10	38
HBS1050	25	50	10	50



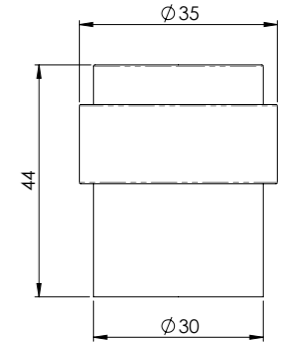
HCH1016
Coat Hook
BSS MB SPVD SSS



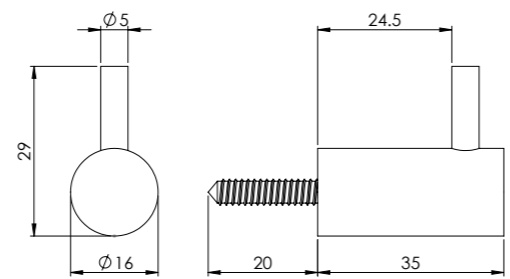
New



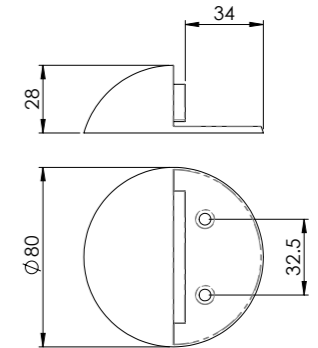
DSF1030
Solid Floor Mounted Door Stop
BSS MB SPVD SSS



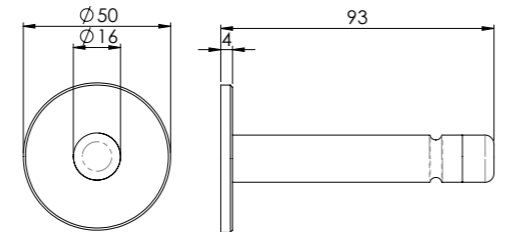
HCH1017
Coat Hook Concealed Fix
BSS SSS



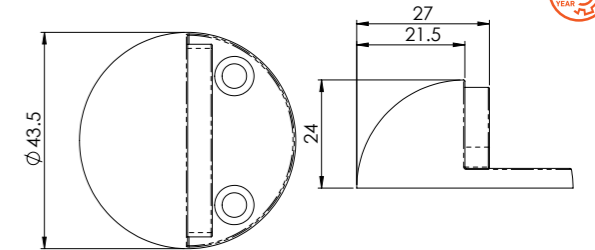
DSF1031
Large Floor Mounted Door Stop
BSS SSS



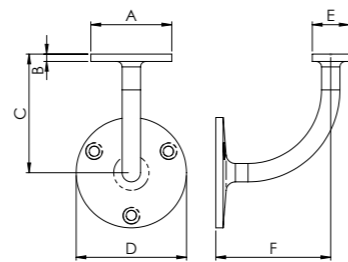
HCH1018
Buffered Coat Hook
BSS MB SPVD SSS



DSF1032
Floor Mounted Door Stop
BSS SSS



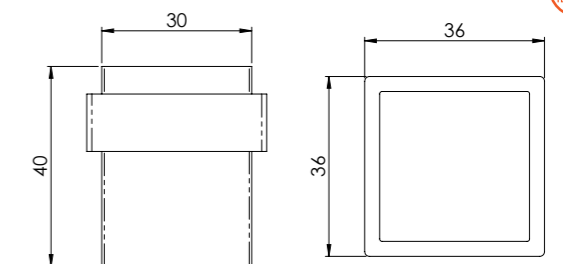
HRB1000/P62
HRB1000/P85
Handrail Bracket
BSS SSS



	A	B	C	D	E	F
HRB1000/P62	45	4	60	61	20	64
HRB1000/P85	45	4	60	60	20	90



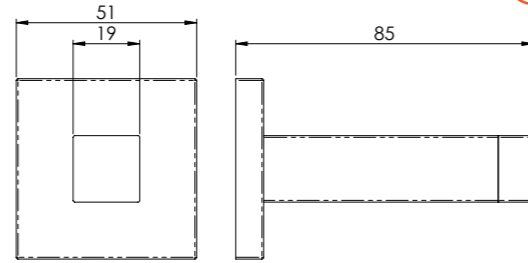
DSF1430
Square Floor Mounted Door Stop
SSS





DSW1415
Wall Mounted Square Door Stop

SSS

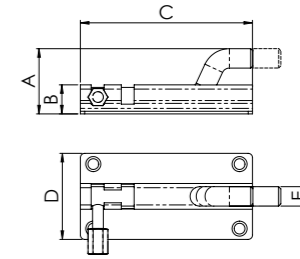


304



Cranked Barrel Bolt
Grade 304

BSS SSS



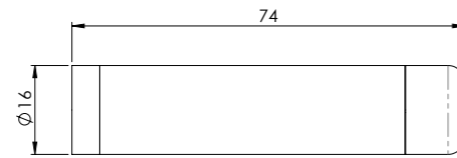
	A	B	C	D	E
BBT1080CR	29	14	80	39	9.5
BBT1100CR	29	14	100	39	9.5
BBT1150CR	29	14	150	39	9.5
BBT1200CR	29	14	200	39	9.5



304

DSW1015
Wall Mounted Door Stop

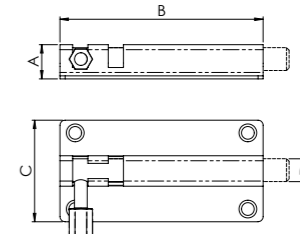
BSS SSS



304

Barrel Bolt
Grade 304

BSS SSS



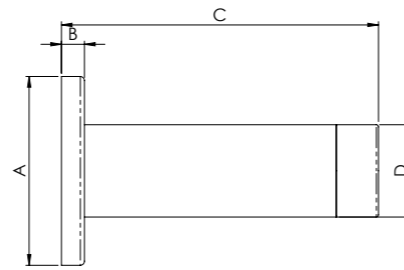
	A	B	C	D
BBT1080	14	80	38	9
BBT1100	14	100	38	9
BBT1150	14	150	38	9
BBT1200	14	200	38	9



304

DSW1016
DSW1017
Wall Mounted Door Stop with Rose

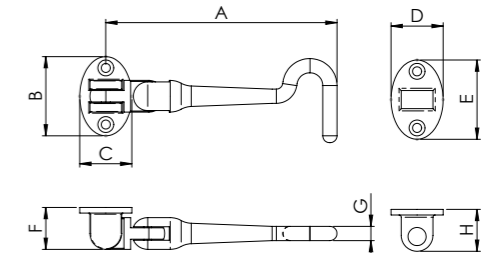
BSS SSS



	A	B	C	D
DSW1016	46	7	76	22
DSW1017	46	7	102	22

CAB1100
CAB1150
CAB1200
Cabin Hook
Grade 316

BSS SSS



	A	B	C	D	E	F	G	H
CAB1100	102	35	23	23	35	18.5	6	18.5
CAB1150	152	35	23	23	35	18.5	6	18
CAB1200	203	35	23	23	35	18.5	6	18



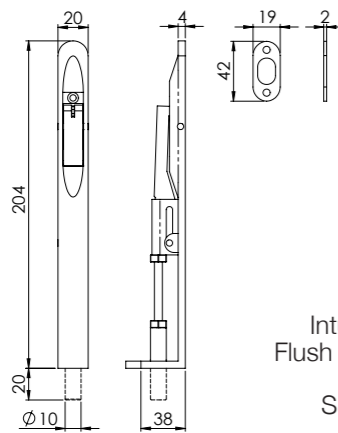
316

FBT1008/R
Radius Lever Action Flush Bolt

AB BSS MB MBRZ SPVD SSS

FBT1008
Lever Action Flush Bolt

BSS SSS



304

INT1008
Intumescent
Flush Bolt Pack

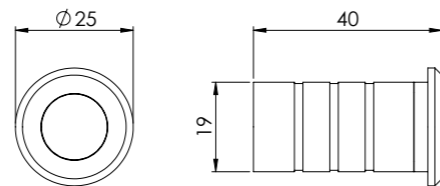
Suitable for
FD30/60
door face
installation

DPS1008
Dust Proof Socket

SSS

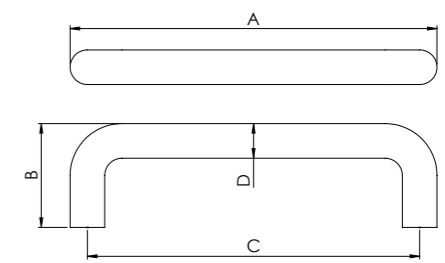


316



Cabinet Pull Handle

SSS



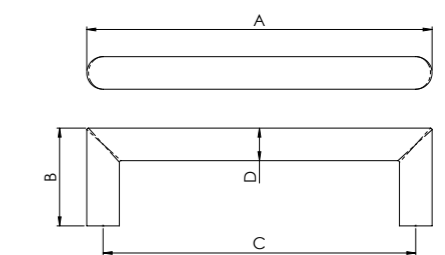
	A	B	C	D
CPD1096	106	30	96	10
CPD1128	138	30	128	10



304

Cabinet Pull Handle





SSS



	A	B	C	D
CPM1096	106	30	96	10
CPM1128	138	30	128	10



304

-  Architectural range of external door furniture
-  10-year mechanical guarantee
-  Fire door rated
-  Classic designs to suit any project

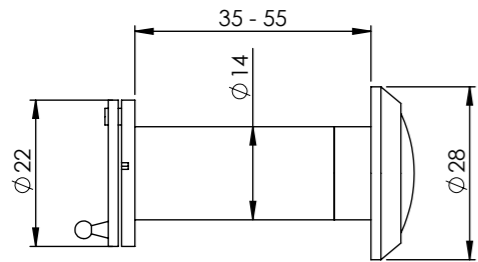




SWE1000
Door Viewer Grade 304
Suits doors 35-55mm thick

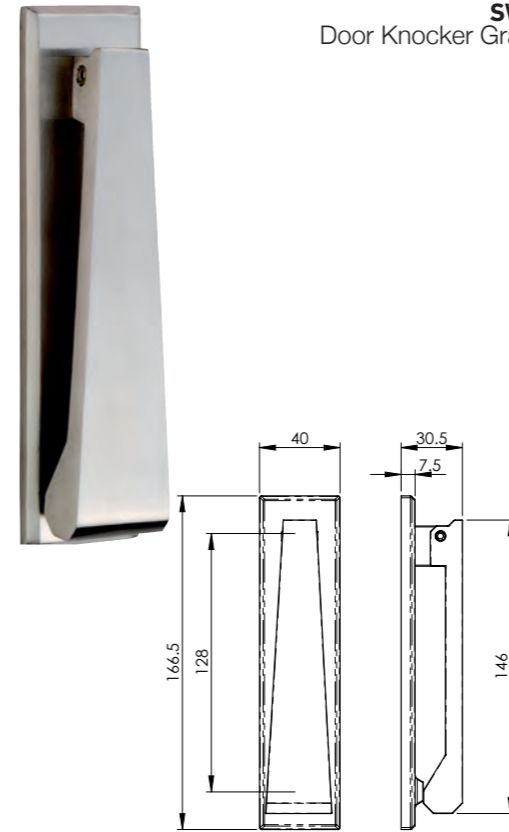
New
BSS MB SPVD SSS

Lens 14 Dia.
Angle of Vision
180°



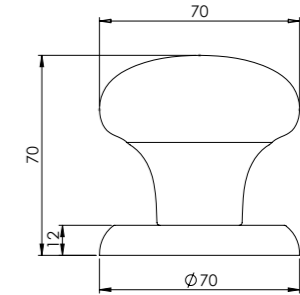
SWE1020
Door Kocker Grade 316

SSS



SWE1040
Centre Door Knob Grade 316

SSS



SWE1010
Door Viewer Grade 316
Suits doors 35-60mm thick

BSS SSS

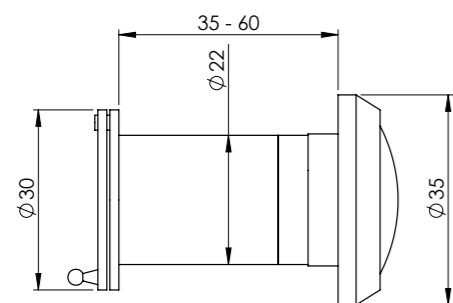
Lens 22 Dia.
Angle of Vision
200°



SSS

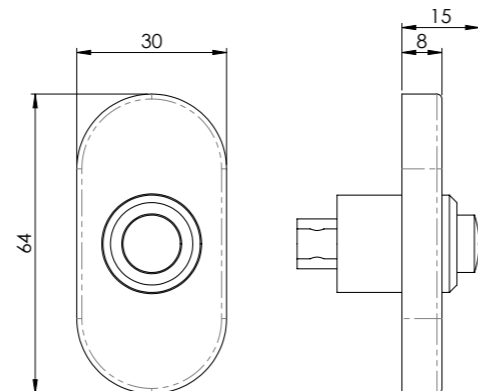


SWE1011
Extension sleeve suits
doors up to 100mm thick



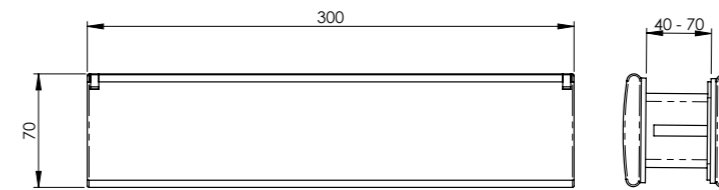
SWE1030
Bell Push Grade 316

BSS SSS



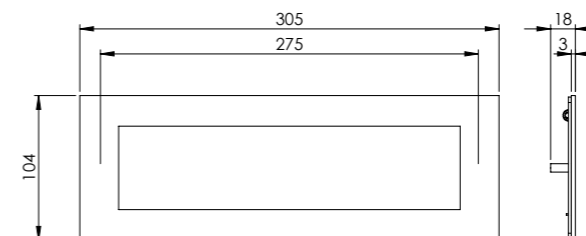
SWE1050
Sleeved Letter Plate
Suits doors up to 70mm




SSS



SWE1036D
Grade 316 Narrowstyle Letterplate

SSS



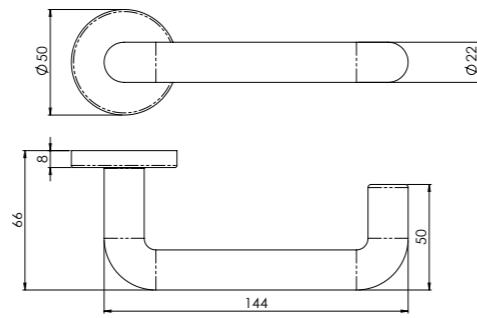
-  Covers all your product needs for social housing and student accomodation projects
-  Fire door rated
-  10-year mechanical guarantee



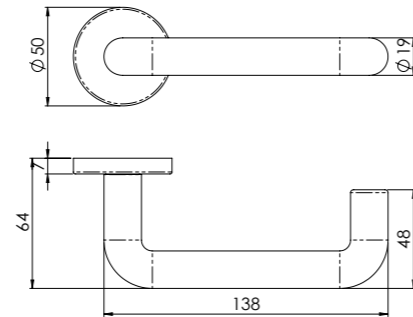


LRS4000
Safety Lever on Sprung Rose
Bar 22mm Diameter

SAA

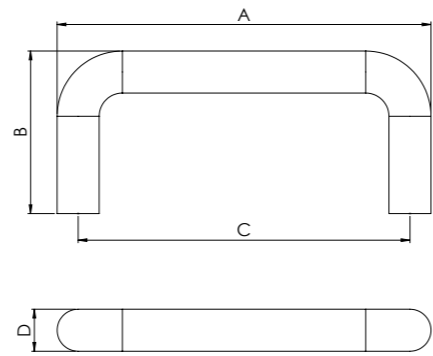


LRS4001
Bar 19mm Diameter



PAD4150
PAD4300
Pull Handle

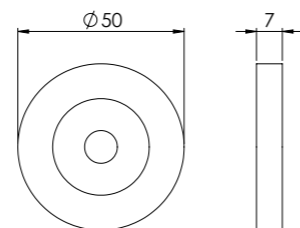
SAA



	A	B	C	D
PAD4150	169	64	150	19
PAD4300	319	64	300	19

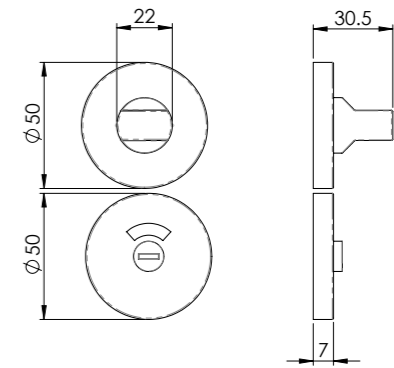
FIX4019
Rose Kit

SAA



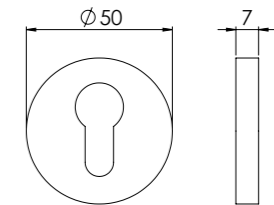
EST4005
Thumbturn & Release
With indicator

SAA



ESE4005
Euro Escutcheon

SAA



SAA

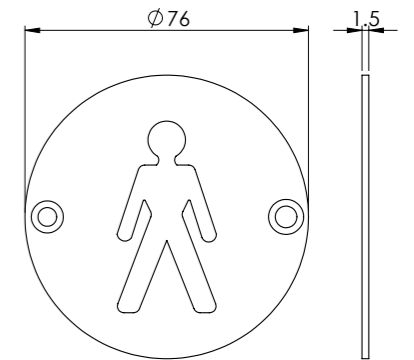
SEX4011
Male

SAA

SEX4012
Female

SAA

SEX4015
Fire Door
Keep Locked



SAA

SEX4016
Fire Door
Keep Shut

SAA

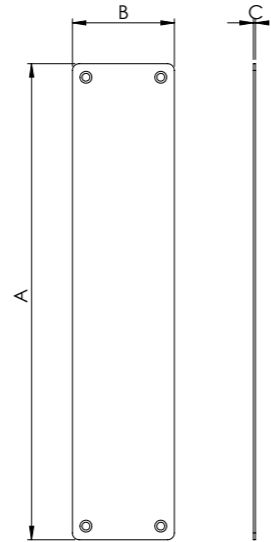
SEX4017
Disabled

SAA

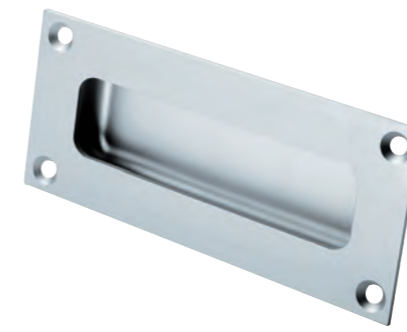
SEX4018
Unisex



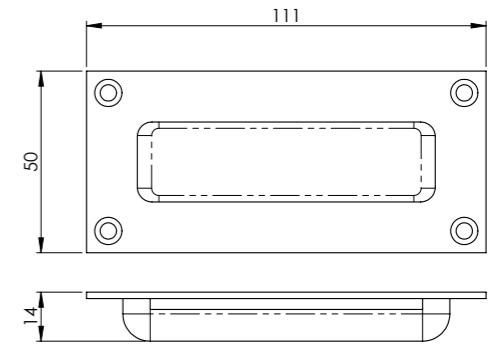
FPP43500
FPP45000
FPP46500
Plain Finger Plate



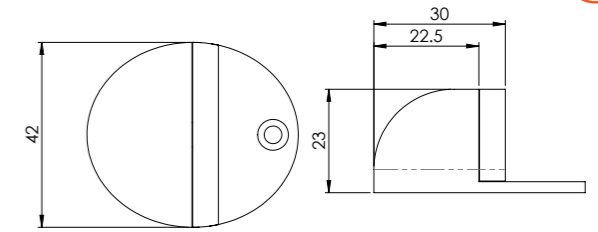
	A	B	C
FPP43500	300	75	2
FPP45000	500	75	2
FPP46500	650	75	2



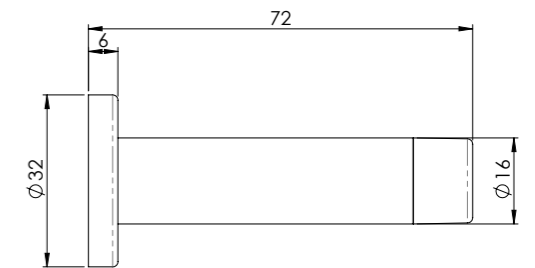
FPH4100
Flush Pull



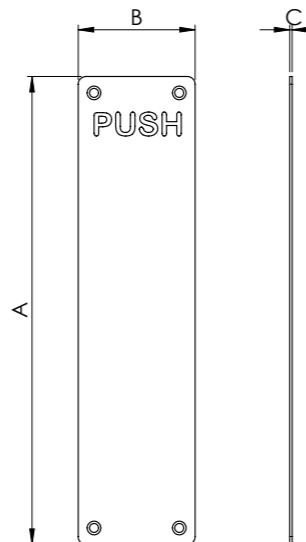
DSF4032
Floor Mounted Door Stop



DSW6001
Wall Mounted Door Stop



FPP43002
FPP43502
Push Finger Plate



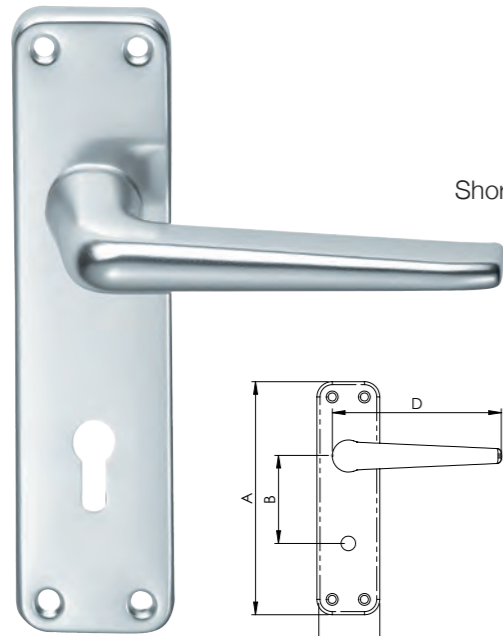
	A	B	C
FPP43002	300	75	2
FPP43502	350	75	2

UTILITYMETAL CLAD





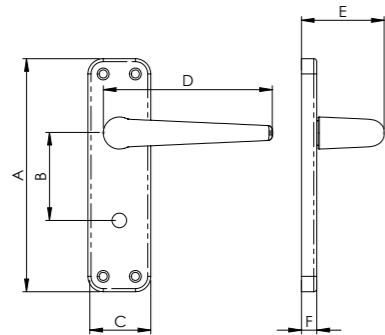
SAA21
Contract Lever on Lock Backplate



SAA21Y
Euro

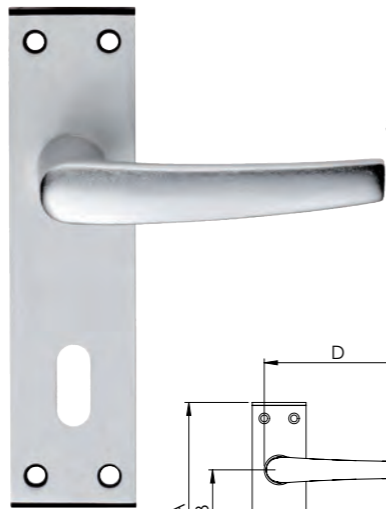
SAA21WC
Bathroom

SAA22
Short Plate Latch



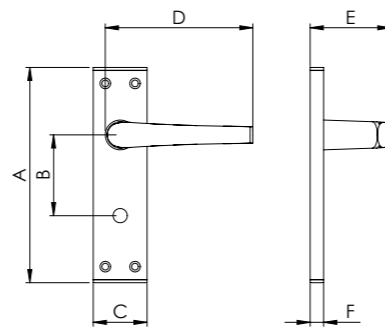
	A	B	C	D	E	F
SAA21	154	57	40	104	55	10
SAA21Y	154	47.5	40	104	55	10
SAA21WC	154	57	40	104	55	10
SAA22	103	-	40	104	55	10

SAA60
Mial Lever on Lock Backplate



SAA60WC
Bathroom

SAA61
Short Plate Latch

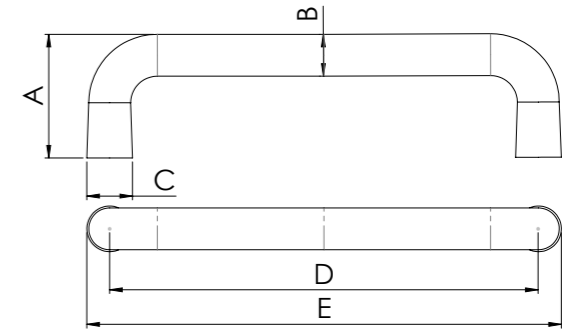


	A	B	C	D	E	F
SAA60	152	57	38	92	52	10
SAA60WC	152	57	38	92	52	10
SAA61	102	-	38	92	52	10



PAD9150
PAD9225
PAD9300
PFD9150
PFD9300
PFD9450

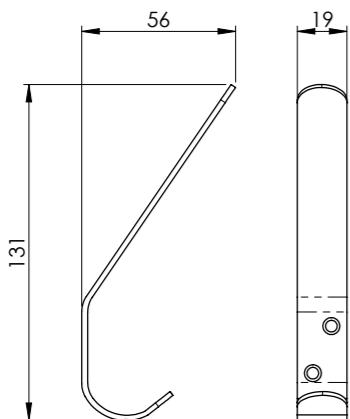
Pull Handle



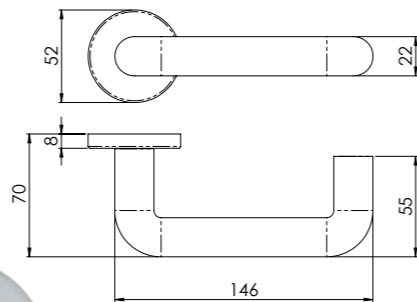
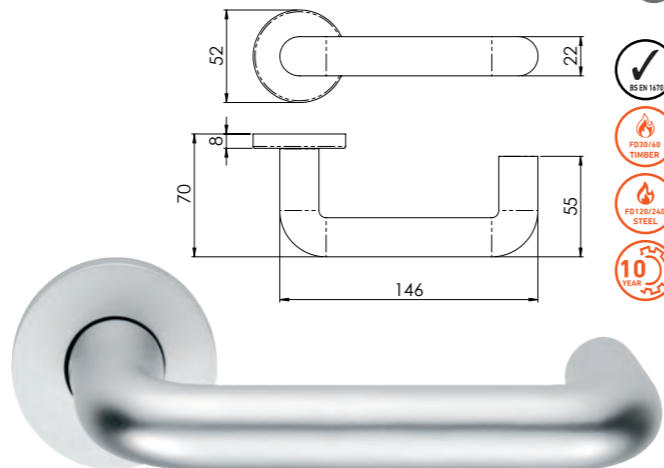
	A	B	C	D	E
PAD9150	64	19	25	150	175
PAD9225	64	19	25	225	250
PAD9300	64	19	25	300	325
PFD9150	67	22	25	150	175
PFD9300	67	22	25	300	322
PFD9450	67	22	25	450	475



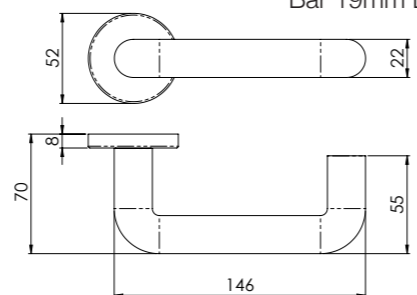
SAA28
Hat and Coat Hook



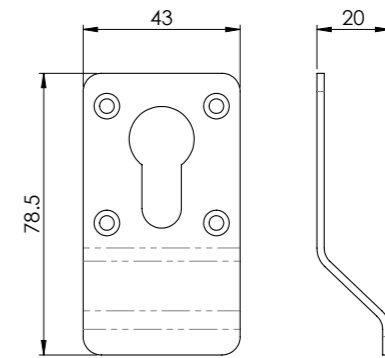
LRS9000
Safety Lever on Round Rose Bar 22mm Diameter



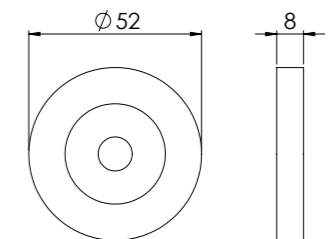
LRS9001
Bar 19mm Diameter

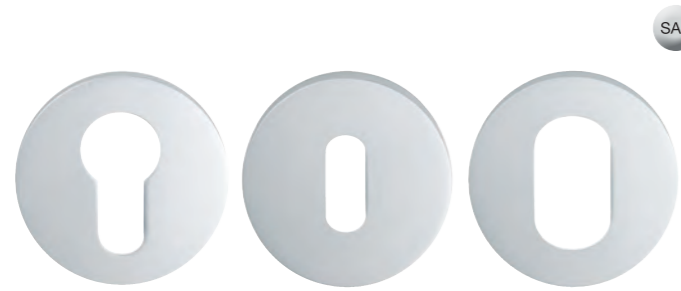


ECP9000
Euro Cylinder Pull

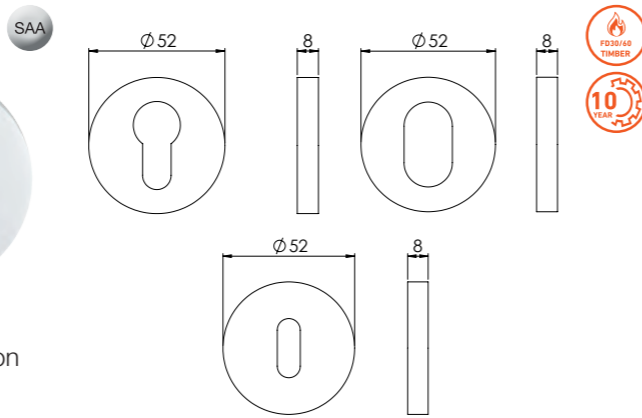


FIX9005
Rose Kit





ESE9005 Euro Escutcheon
ESP9005 Lock Escutcheon
ESU9005 Oval Escutcheon

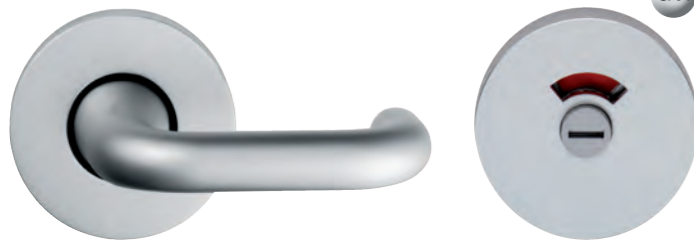
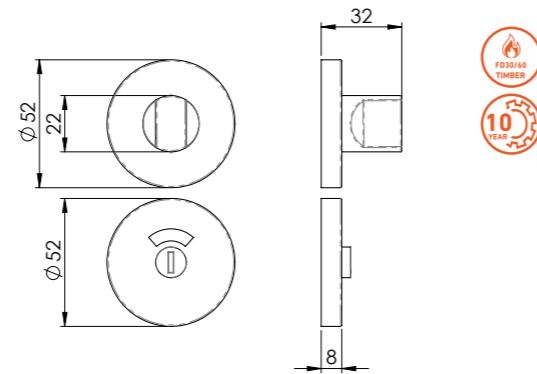


SAA



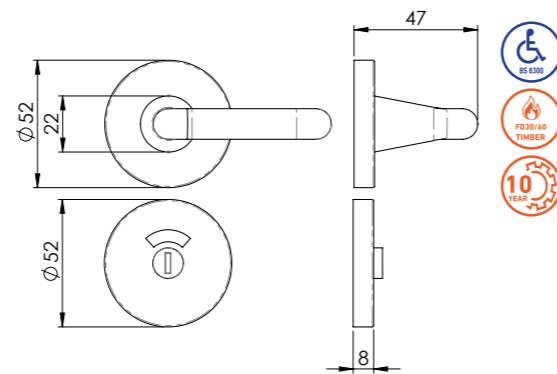
EST9005
Thumbturn & Release
With Indicator

SAA



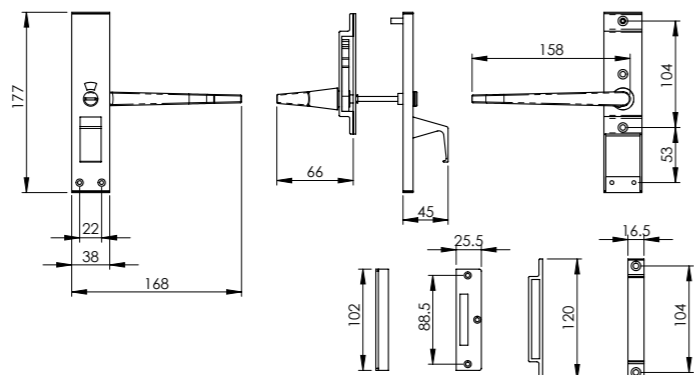
EST9025
Thumbturn & Release
With Indicator

SAA



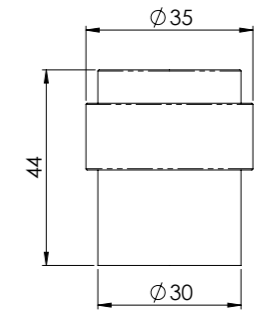
EST9625
Handle Set

GAA PAA SAA



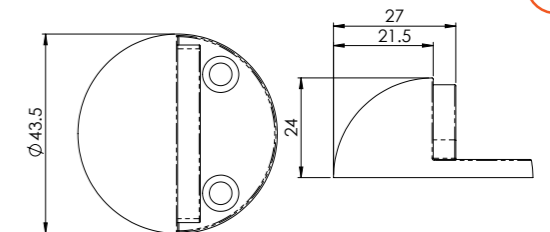
DSF9030
Floor Mounted Door Stop

SAA



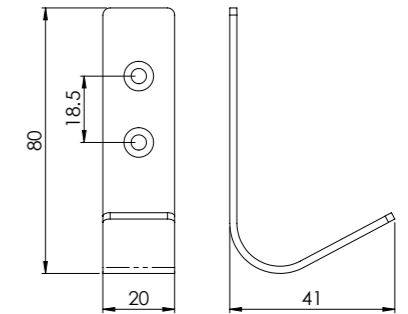
DSF9032
Floor Mounted Door Stop

SAA



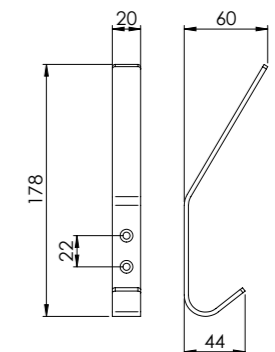
HCH9012
Flat Coat Hook

SAA



HCH9013
Flat Hat and Coat Hook

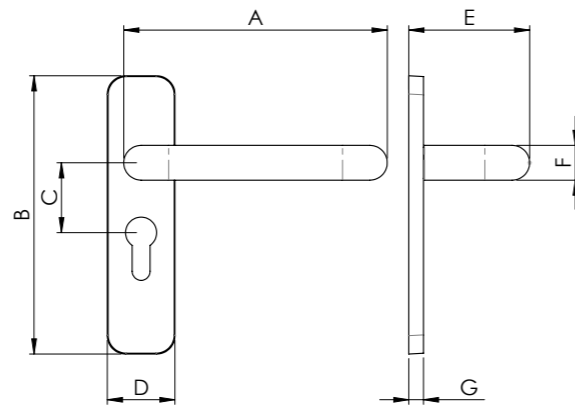
SAA





LIP9001 + PLB9001

LIP9001 Safety Lever on Inner Plate



	A	B	C	D	E	F	G
PLB9001 Latch Plate	143	152	N/A	38	66	19	8
PLP9001 Lock Plate	143	152	57	38	66	19	8
PLE9001 Euro Plate - 47.5 c/c	143	152	47.5	38	66	19	8
PLT9001 Bathroom Plate - 57 c/c & Turn	143	152	57	38	66	19	8
PLU9001 Oval Plate - 48.5 c/c	143	152	48.5	38	66	19	8



We've made it as easy as possible to find the information you need. Whether its technical advice, planning for a project or downloading our latest catalogues.

You'll find everything you need in our knowledge centre.



SCAN ME

Have you got a login?

As always if you need to speak to a customer service advisor you can contact us on: 01228 511030



Grade 11, 13 and 14

- ★ 25-year mechanical guarantee
- ★ Entire range is UKCA, CE and Certifire approved

Grade 7

- ★ 10-year mechanical guarantee

CEAM Hinges

- ★ Full range of concealed adjustable hinges
- ★ Routing jigs and templates available online or on request to aid installation



CEAM Hinges

Architectural concealed hinges elegantly designed and finished

Please see pages 304 - 309

CI001130BRS

Guide to BS EN 1935:2002

BS EN 1935:2002 UK designated version of the harmonised European standard entitled "Building Hardware. Single-axis hinges. Requirements and test methods." Specifying requirements for single-axis hinges for windows and doors opening in one direction only, whose rotation axis is no more than 30mm from the face of the sash or door. It covers both fixed pin and lift-off hinges, and contains additional requirements for hinges intended for use on fire doors.

Durability

3 Grades are identified according to the number of test cycles achieved:

- Grade 3: 10,000 Cycles
For light duty hinges on windows only
- Grade 4: 25,000 Cycles
For light duty hinges on windows and doors
- Grade 7: 200,000 Cycles
For medium, heavy and severe duty hinges on doors only

Hinge Grade

14 grades are identified and summarised below:

Hinge Grade	Usage	Test Cycles	Door Mass
1	Window	10,000	10kg
2	Window	10,000	20kg
3	Window/Door	25,000	20kg
4	Door	200,000	20kg
5	Window	10,000	40kg
6	Window/Door	25,000	40kg
7	Door	200,000	40kg
8	Window	10,000	60kg
9	Window/Door	25,000	60kg
10	Door	200,000	60kg
11	Door	200,000	80kg
12	Door	200,000	100kg
13	Door	200,000	120kg
14	Door	200,000	160kg

Category of Use

- 4 Grades are identified:
- Grade 1: Light Duty
- Grade 2: Medium Duty
- Grade 3: Heavy Duty
- Grade 4: Severe Duty

Corrosion Resistance

- 5 Grades are identified:
- Grade 0: No defined corrosion resistance
- Grade 1: Mild resistance
- Grade 2: Moderate resistance
- Grade 3: High resistance
- Grade 4: Very high resistance



Test Door Mass

- 7 Grades are identified:
- Grade 0: 10kg
- Grade 1: 20kg
- Grade 2: 40kg
- Grade 3: 60kg
- Grade 4: 80kg
- Grade 5: 100kg
- Grade 6: 120kg
- Grade 7: 160kg

Fire Suitability

- 2 Grades are identified:
- Grade 0: Not suitable for fire/smoke resistant door assemblies
- Grade 1: Suitable for fire/smoke resistant door assemblies

Security

- 2 Grades are identified:
- Grade 0: Not suitable for use on burglar resistant door assemblies
- Grade 1: Suitable for applications requiring a degree of security

Safety

- Grade 1: Safe to use

Selecting a hinge by door weight alone is bad practice. In order to ensure the correct hinge is specified, you need to understand the intended use of the building and calculate the overall door mass accordingly. The overall door mass includes, door weight, allowances for frequency of use, excess width side loading, the inclusion of door closers and all other door hardware. All maximum loading weights are based on fitting 3 hinges per door. Follow the simple code of practice to ensure correct hinge specification - if in doubt, seek assistance from the manufacturer.

CALCULATE DOOR WEIGHT TO ACTUAL DOOR MASS			
ACTUAL DOOR WEIGHT	Doors with excessive width, refer to side loading calculation table	+?%	= ACTUAL DOOR MASS
	Door closer	+20%	
	Door closer (incorporating back check or hold open facility)	+75%	
	Light usage application	-10%	
	Extra heavy usage application	+10%	

SIDE LOADING CALCULATION TABLE				
CALCULATE EXCESSIVE DOOR WIDTH	Door Height (mm)	Door Width (mm)	Factor	Increase In Door Mass Required
The actual door mass will require increasing by the factor calculated between the door height and the door width.	2000	1000	2.00	0%
	2000	1050	1.90	+10%
This is calculated by dividing the door height by the door width.	2000	1100	1.82	+18%
	2000	1150	1.74	+26%
If the factor is less than 2, the door mass is required to be increased by the value between the factor and 2, expressed as a percentage.	2000	1200	1.67	+33%
	2000	1250	1.60	+40%
Percentage examples are listed in the table to the right.	2000	1300	1.54	+46%

HINGE SPACING : CODE OF PRACTICE

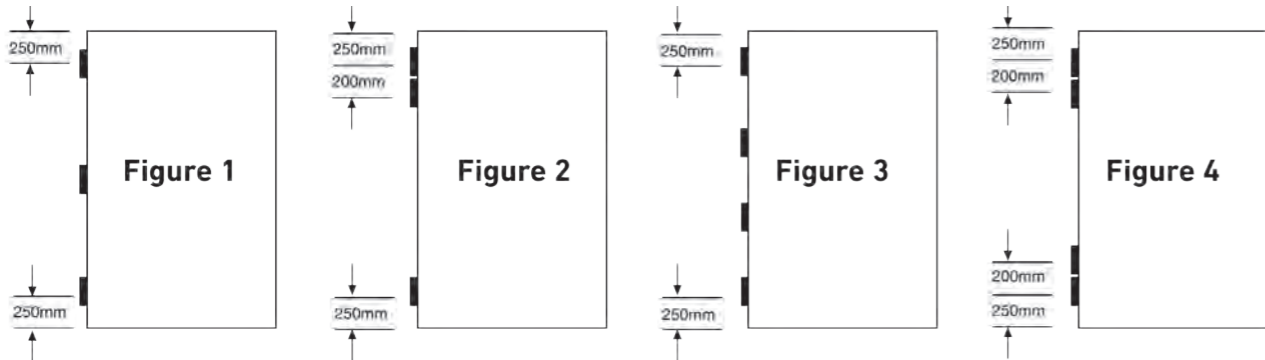


FIGURE 1: The standard practice and most common, providing maximum resistance to 'warping', hinges are spaced as shown.

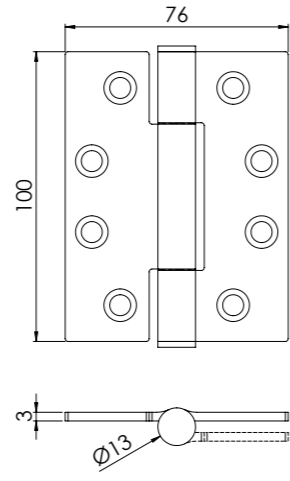
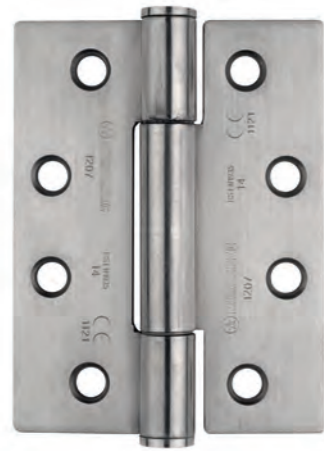
FIGURE 2: Where overhead door closers are used, additional lateral forces are applied to the top hinge. Whilst this is taken into consideration within the design calculation, to reduce the lateral force to the top hinge, it is recommended that the hinges are spaced as shown.

FIGURE 3: Where the door width is more than 1000mm or the door mass exceeds that allowed for 3 hinges, additional hinges can be fitted. Equal spacing shown provides maximum resistance to 'warping', based on 4 hinges, the design door mass can be calculated as per 'side load calculation' table before determining the suitable grade of hinge.

FIGURE 4: Where overhead door closers are used within the example illustrated in Figure 3, due to the increased lateral forces created by the closer on the top hinge, it is recommended that the hinges are spaced as shown.



HIN1433P/13BSS



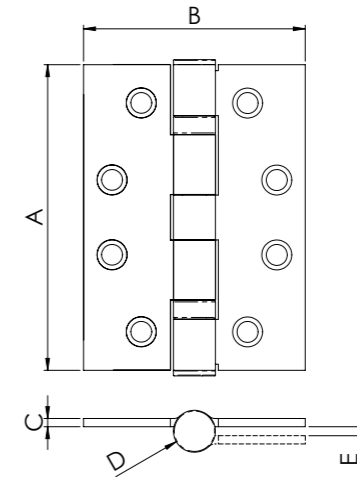
H3N1207/14
Grade 14 Concealed Bearing
Triple Knuckle Hinge

H3N1207/14/R
Radius



160Kg
Max Loading

INT1433
Intumescent Hinge Pack



CEN1433/13
Grade 13 CE Bearing Hinge
Grade 316



***CEN1443/13**



CEN1433/13/R
***CEN1443/13/R**
Radius



120Kg
Max Loading

INT1433
INT1443
Intumescent Hinge Pack

*Not suitable for
use on FD30

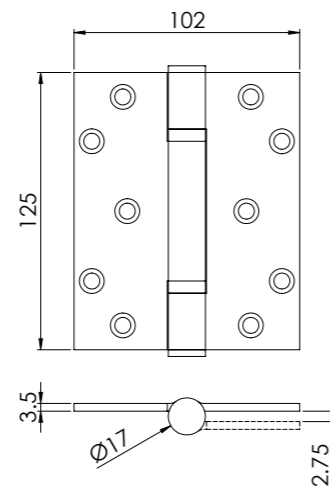
	A	B	C	D	E
CEN1433/13	102	76	3	14	2.75
CEN1443/13	102	102	3	14	2.75



BS EN 1935:2002							
2812 - CPR - AC0095							
4	7	7	1	1	4	0	14



BS EN 1935:2002							
2812 - CPR - AC0035							
4	7	6	1	1	4	0	13



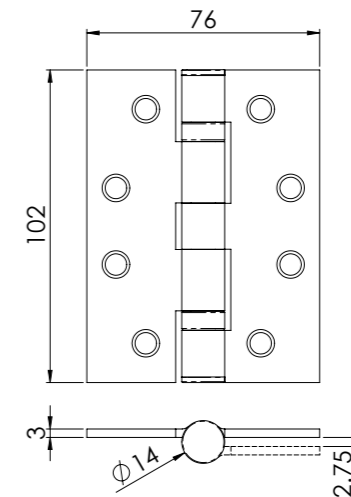
H2N1121/14
Grade 14 Thrust Bearing Hinge
Non Removable Pin

H2N1121/14/R
Radius



160Kg
Max Loading

INT1443
Intumescent Hinge Pack



HIN1433/13
Grade 13 CE Bearing Hinge



HIN1433/R
Radius



120Kg
Max Loading

INT1433
Intumescent Hinge Pack



BS EN 1935:2002							
2812 - CPR - AC0095							
4	7	7	1	1	4	0	14



BS EN 1935:2002							
2812 - CPR - AC0035							
4	7	6	1	1	4	0	13



HIN1433P/13
Grade 13 Plain Ball Bearing Hinge
HIN1433P/13/R
Radius



HIN1433P/13/3P
3 Pack



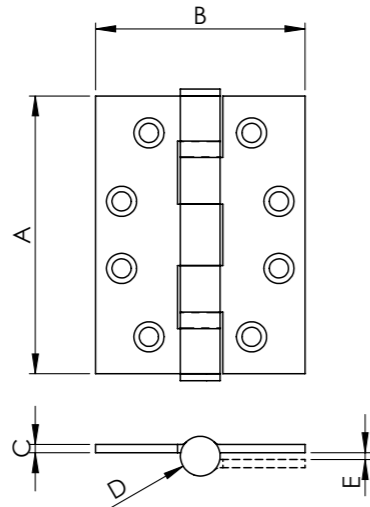
***HIN1443P/13**



120Kg
Max Loading

INT1433
INT1443
Intumescent Hinge Pack

*Not suitable for use on FD30



	A	B	C	D	E
HIN1433P/13	102	76	3	14	2.75
HIN1443P/13	102	102	3	14	2.75

HIN1433P/13AB
Antique Brass

HIN1433P/13MB
Matt Black

HIN433P/13MBRZ
Matt Bronze

HIN1433P/13BSS
Bright Stainless Steel

HIN1433P/13SB
Satin Brass

HIN1433P/13SSS
Satin Stainless Steel



BS EN 1935:2002							
2812 - CPR - AC5103							
4	7	6	1	1	4	0	13



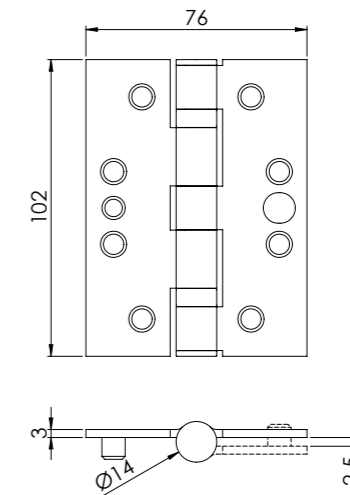
HIN1433SEC/13
Grade 13 Ball Bearing Security Hinge

HIN1433SEC/R
Radius



120Kg
Max Loading

INT1433
Intumescent Hinge Pack



BS EN 1935:2002							
2812 - CPR - AC0170							
4	7	6	1	1	4	1	13

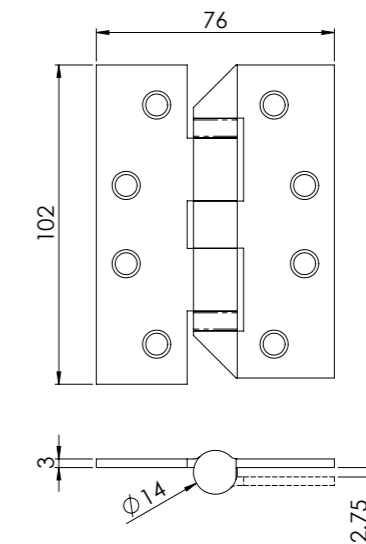
HIN1433HT/13
Grade 13 Ball Bearing Hospital Tip Hinge
TS001 November 2005

HIN1433HT/13/R
Radius



120Kg
Max Loading

INT1433
Intumescent Hinge Pack



BS EN 1935:2002							
2812 - CPR - AC0035							
4	7	6	1	1	4	0	13

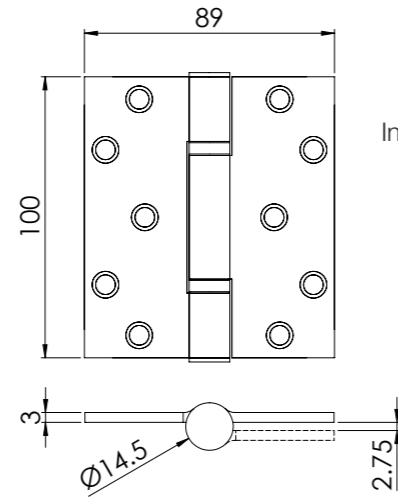
H2N1102/13
Grade 13 Thrust Bearing Hinge
Non Removable Pin

HIN14325/13/R
Grade 13 Ball Bearing Hinge
Radius - 3 Pack

HIN14325/13
Square - 3 Pack

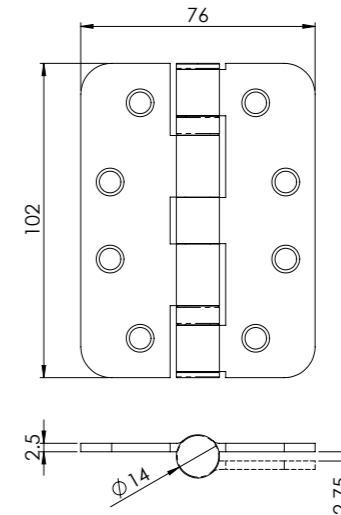
120Kg
Max Loading

INT1433
Intumescent Hinge Pack



120Kg
Max Loading

INT1102
Intumescent Hinge Pack



120Kg
Max Loading

INT1433
Intumescent Hinge Pack



BS EN 1935:2002							
2812 - CPR - AC0035							
4	7	6	1	1	4	0	13



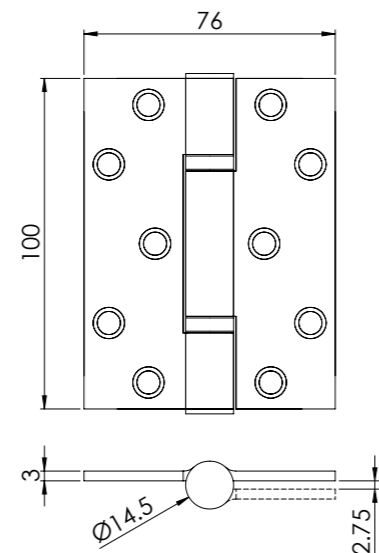
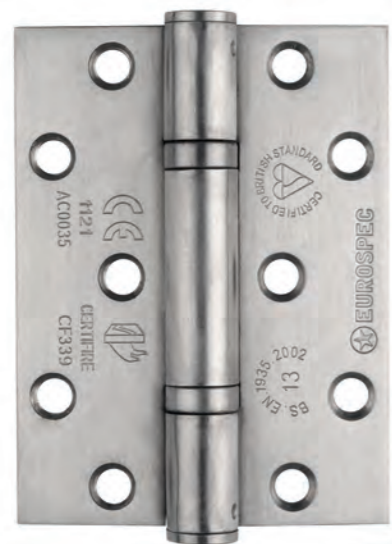
BS EN 1935:2002							
2812 - CPR - AC0035							
4	7	6	1	1	4	0	13

H2N1103/13
Grade 13 Thrust Bearing Hinge
Non Removable Pin

SCH14325/13
Grade 13 Slim Knuckle Hinge
10mm Dia. Narrow Knuckle

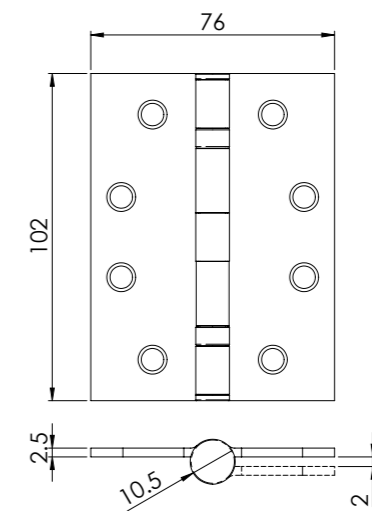
120Kg
Max Loading

INT1433
Intumescent Hinge Pack



120Kg
Max Loading

INT1433
Intumescent Hinge Pack

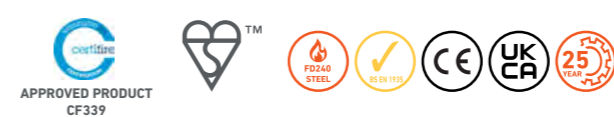


120Kg
Max Loading

INT1433
Intumescent Hinge Pack



BS EN 1935:2002							
2812 - CPR - AC0035							
4	7	6	1	1	4	0	13



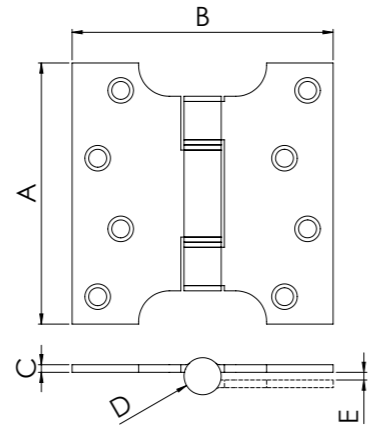
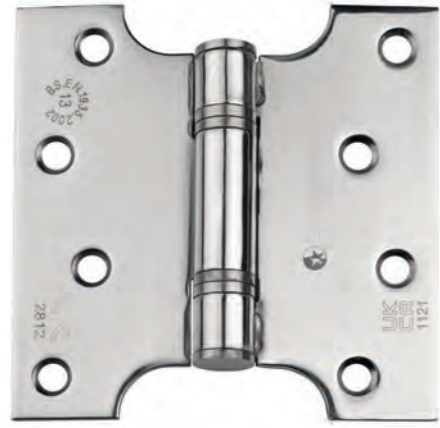
BS EN 1935:2002							
2812 - CPR - AC0035							
4	7	6	1	1	4	0	13

H2N1424
H2N1435
H2N1446
Grade 13 Parliament Hinge
Non Removable Pin

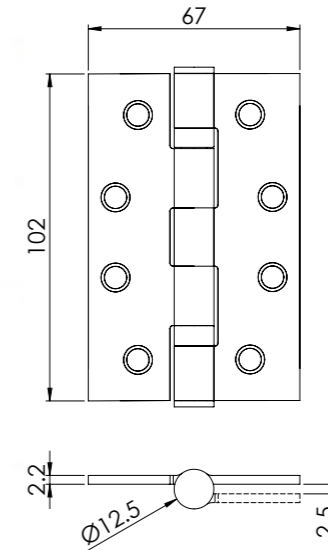
BSS PVD SSS

120Kg
Max Loading

INT1433
Intumescent Hinge Pack



	A	B	C	D	E
H2N1424	102	102	3	14.5	2.75
H2N1435	102	127	3	14.5	2.75
H2N1446	102	152	3	14.5	2.75



HIN14252/11
Grade 11 CE Bearing Hinge

BSS SSS

80Kg
Max Loading

INT1433
Intumescent Hinge Pack



BS EN 1935:2002							
2812 - CPR - AC0096							
3	7	4	1	1	4	0	11



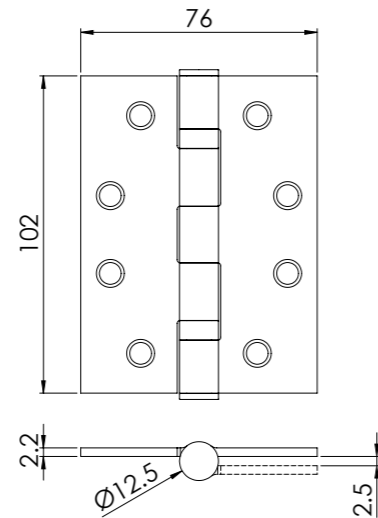
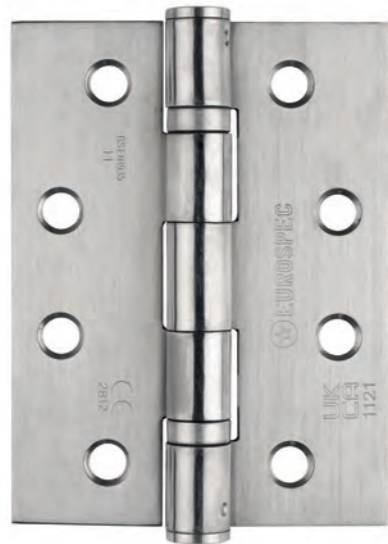
BS EN 1935:2002							
2812 - CPR - AC0035							
4	7	6	1	1	4	0	13

HIN14322/11
Grade 11 CE Bearing Hinge

BSS SSS

80Kg
Max Loading

INT1433
Intumescent Hinge Pack



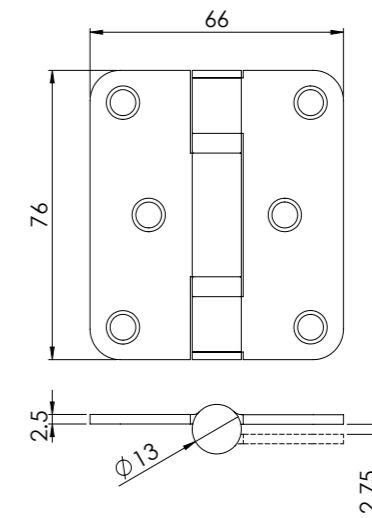
HIN13225/11R
Grade 11 CE Bearing Hinge
Radius

HIN13225/11
Square

BSS SSS

80Kg
Max Loading

INT1433
Intumescent Hinge Pack



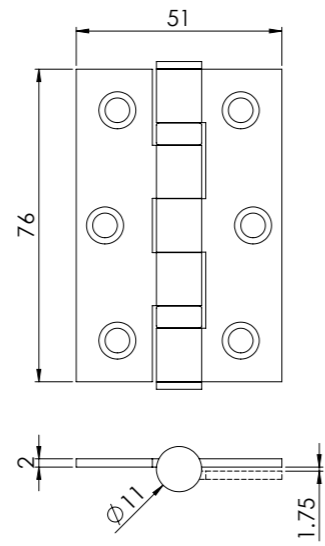
BS EN 1935:2002							
2812 - CPR - AC0096							
3	7	4	1	1	4	0	11



BS EN 1935:2002							
2812 - CPR - AC0096							
3	7	4	1	1	4	0	11



HIN1322/7SSS
Satin Stainless Steel



HIN1322/7
Grade 7 Bearing Hinge



40Kg
Max Loading

INT1433
Intumescent Hinge Pack

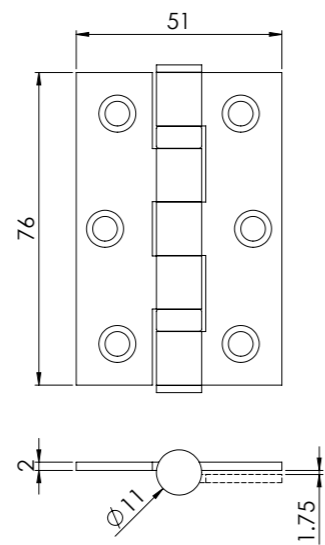


BS EN 1935:2002							
2812 - CPR - AC0128							
2	7	6	1	1	4	0	7



HIN1322/7MB
Matt Black

New



HIN1322/7
Grade 7 Bearing Hinge



40Kg
Max Loading

INT1433
Intumescent Hinge Pack



BS EN 1935:2002							
2812 - CPR - AC5132							
2	7	2	1	1	0	0	7

CONCEALED3MM



The Concealed 3mm range is a combination of style and functionality. The clean lines and flawless finishes are discreet and elegant to complement the most prestigious of interior projects. Available in matt black, antique brass, matt white and satin brass.

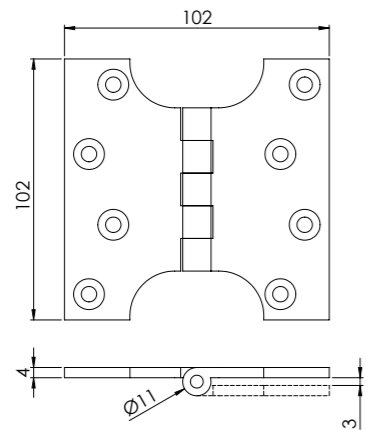


HIN3424
Solid Brass Parliament Hinge

PC SC

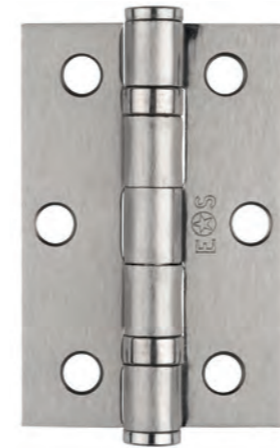
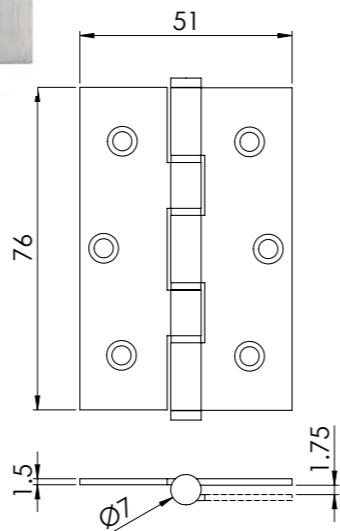
HIN2424

PB



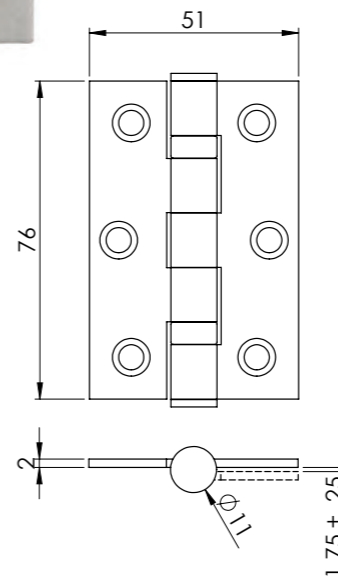
HIW13215
Washed Hinge

BSS SSS



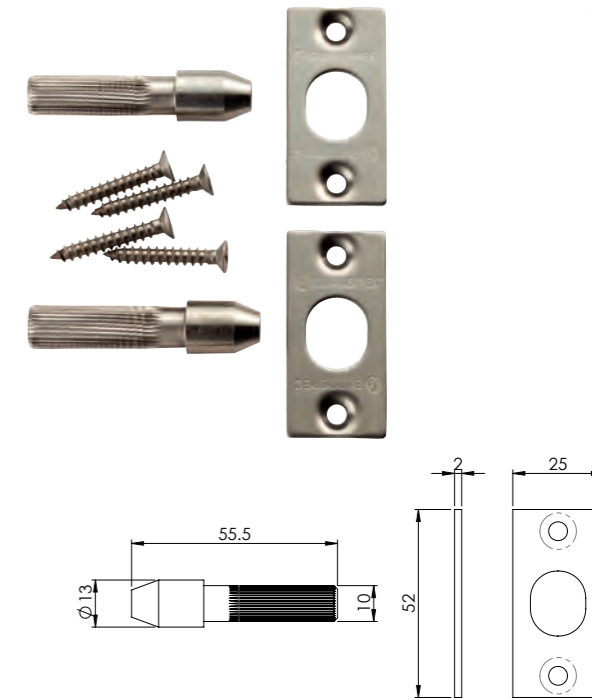
HIN1322
Ball Bearing Hinge

CP SNP



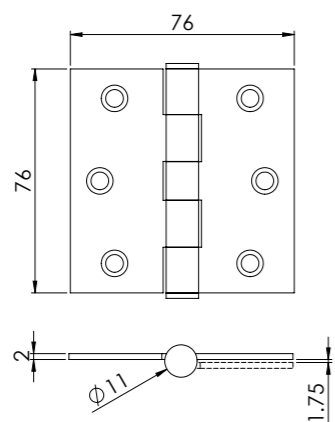
AHB1000G316
Security Hinge Bolt Set
Grade 316

SSS



HIP1332
Plain Hinge

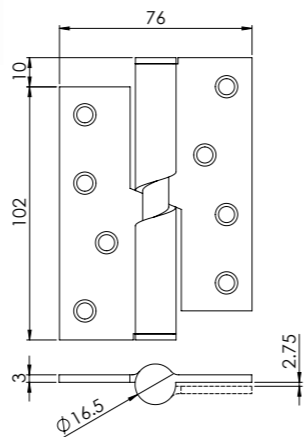
BSS SSS



RBH1433LEF
Rising Butt Hinge - Left Hand

RBH1433RIG
Rising Butt Hinge - Right Hand

SSS

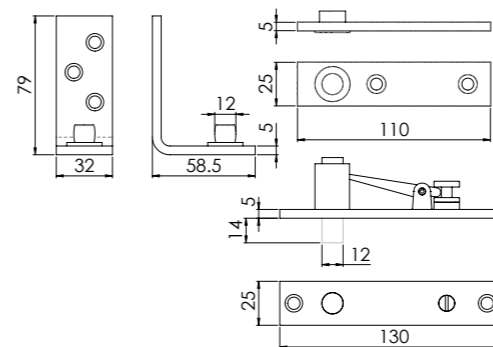


H2N1900
Standard Thrust Bearing
Pivot Set

H2N1900/R
Radius

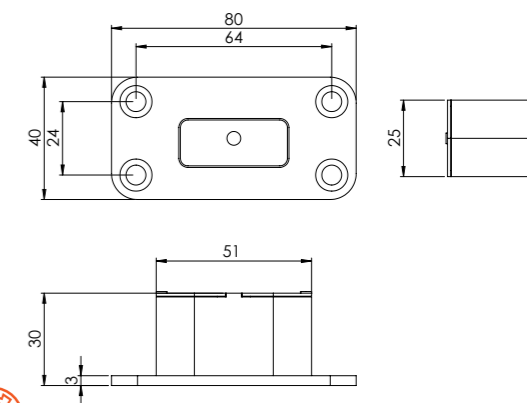
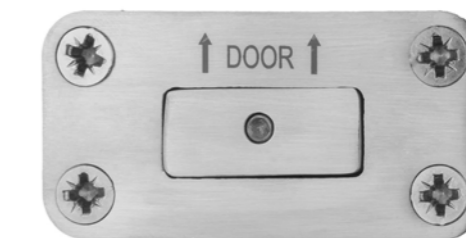
SSS





80Kg
Max Loading



H2N1950
Emergency Release Door Stop

SSS



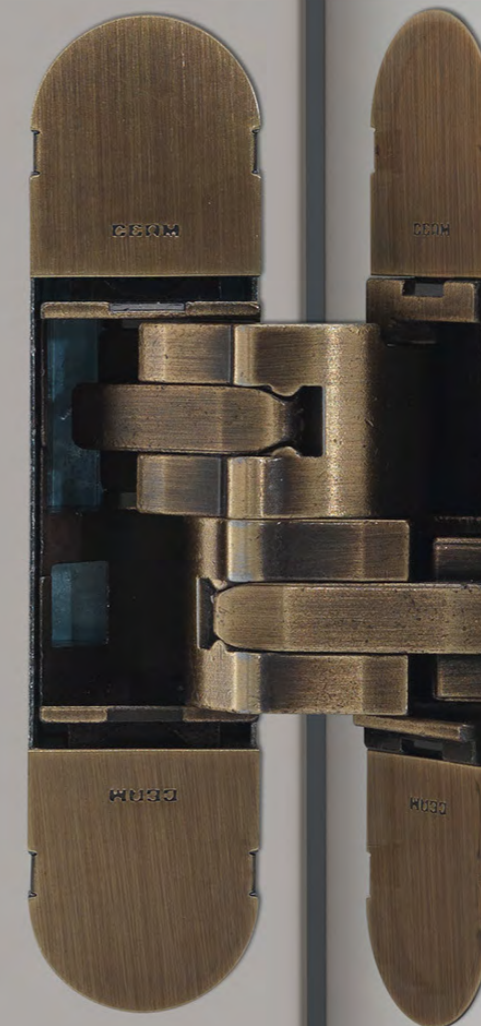
-  **Architectural concealed hinges elegantly designed and finished**
-  **Hinges tested to 200,000 cycles**
-  **Manufactured in 3 different materials: zinc-alloy, stainless steel and fiberglass, all Ceam hinges are symmetrical and engineered to solve the new challenges of modern buildings**
-  **Fluid 180° opening and adjustable in 3 dimensions: height, width and depth**



SCAN ME

**Pop into the
CEAM Italia
Factory**

History, tradition, industrialised craftsmanship
Have a glance at the production





Ceam Finish Guide

CEAM FINISH

NIK
Nichelato

VNO
Verniciato Nero Opaco

VCH
Champagne

BRO
Bronzato

BRS
Bronzo Spazzolato

OTT
Ottonato

OSG
Ottonato Satinado Galvanise

ARG
Verniciato Argentato

NNE
Nichel Nero

CARLISLE BRASS FINISH

PN
Polished Nickel

MB
Matt Black

SNP
Satin Nickel

MBRZ
Matt Bronze

AB
Antique Brass

PB
Polished Brass

SB
Satin Brass

SV
Silver

BN
Black Nickel

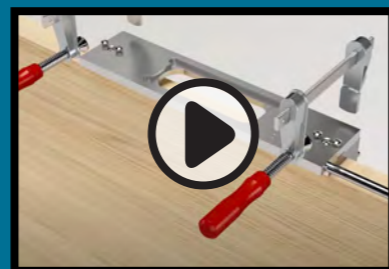


Drilling Template

How to install CEAM hinges

SCAN ME

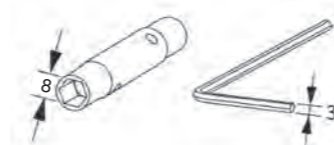
Take a look at the video for further instructions



UPSETREG2



UPSETREG1



AVAILABLE ACCESSORIES

Code	Name	Inner box qty
DIMECON2ART1130	1129 and 1130 3D concealed hinge fitting jig	1 set
DIMECON2ART1131	1131 - 1230 3D concealed hinge fitting jig	1 set
CIOOIMA01130	Insert set for 3D concealed hinge fitting jig to fit 1130 hinges	1 pair
CIOODIMA01131	Insert set for 3D concealed hinge fitting jig to fit 1131 hinges	1 pair
CIOODIMA01230	Insert set for 3D concealed hinge fitting jig to fit 1230 hinges	1 pair
CIOODIMA01129	Insert set for 3D concealed hinge fitting jig to fit 1129 hinges	1 pair
UPSETREG1	Tool set for hinge adjustment 1129-1130	1 set
UPSETREG2	Tool set for hinge adjustment 1230-1131	1 set

CARE AND MAINTENANCE OF CONCEALED HINGES

When installed as per recommended tolerances and fitting guidelines, Ceam concealed hinges are relatively maintenance free, however, it is advisable to lubricate the hinges, using a dry PTFE spray when required (once every two years as minimum) and adjust as necessary.

These concealed hinges are suitable for interior installations. For exterior fitting please contact sales office for information on SS G304 grade (1080 Inox).

These concealed Hinges are not to be used with door closers other than: Eurospec DCC2024CF concealed closer and DCC2024SM cam action surface mounted closers.

PLEASE NOTE:

Ceam products are not supplied with screws.

CONCEALED HINGE SELECTOR CHART

Code	Dimensions	Mortice Depth	Min Door Width	Max Distance From Door Edge	Range of reversibility when fitted in centre of door	Load Capacity 2 Hinges	Load Capacity 3 Hinges	Suitable for fire doors
1129	100x22x18mm	18mm	28mm	4.5mm	28-31mm	25kg	40kg	N
1130	130x24x21mm	21mm	30mm	4.5mm	30-33mm	40kg	60kg	Y
1131	160x32x29mm	29mm	38mm	7mm	38-46mm	80kg	120kg	Y
1230	130x30x21mm	21mm	35mm	7.5mm	35-45mm	50kg	70kg	Y



Cabinet hardware CEAM
3D adjustable concealed hinges available

page 190

CI000929ARG

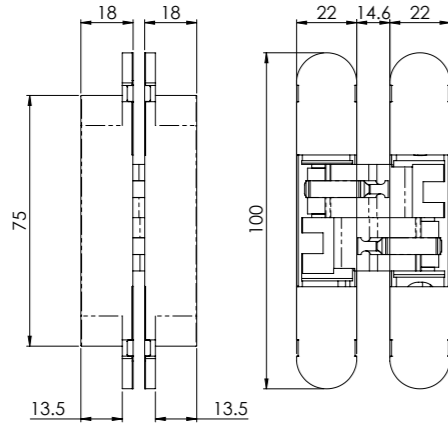


MADE IN ITALY

CI001129
3D Adjustable Concealed Hinge

BRO NIK OTT VCH

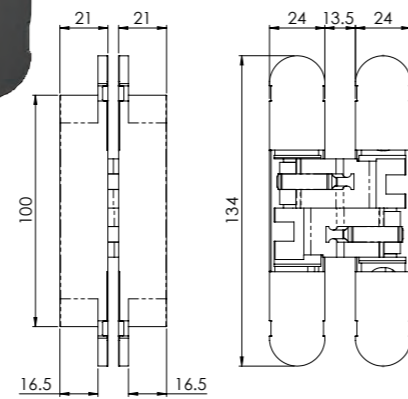
25Kg
Max Loading 2 Hinges
40Kg
Max Loading 3 Hinges



CI001130
3D Adjustable Concealed Hinge

BRO BRS NIK NNE OSG OTT VCH VNO

40Kg
Max Loading 2 Hinges
60Kg
Max Loading 3 Hinges



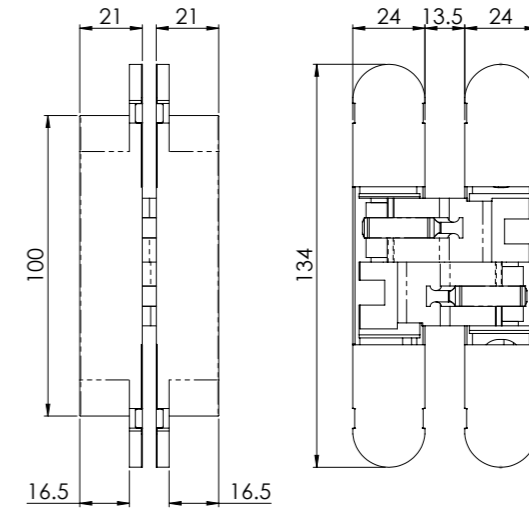
MADE IN ITALY



CI001131
3D Adjustable Concealed Hinge

BRO BRS NIK NNE OSG OTT VCH VNO

80Kg
Max Loading 2 Hinges
120Kg
Max Loading 3 Hinges

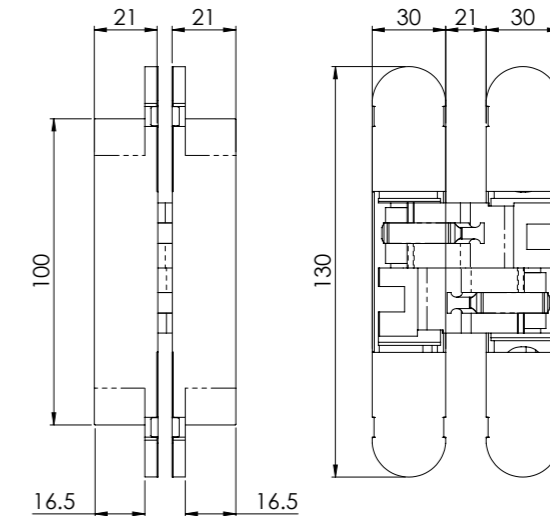


ES1131
Intumescent Hinge Pack
Also fire rated E120 timber

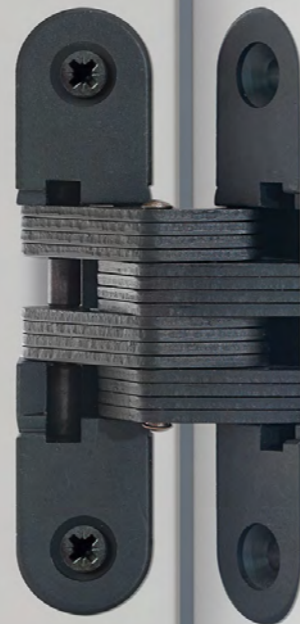
CI001230
3D Adjustable Concealed Hinge

BRO BRS NIK NNE OSG VCH VNO

50Kg
Max Loading 2 Hinges
70Kg
Max Loading 3 Hinges






ES1230
Intumescent Hinge Pack



Wider range available
as special order

Contact our sales team
for more information
01228 511030

-  Comprehensive, fully tested range of door controls
-  Designed to ensure fire doors shut safely every time
-  Product offering includes variable and fixed power door controls, as well as the accessories and cover packs



CDG025MB/PACK

Overhead Door Controls

- UKCA & CE marked and certified to BS EN 1154
- Intumescent packs available
- Adjustable closing speed and latching
- Certifire approved to CF5400

Electromagnetic Door Controls

- UKCA & CE marked and certified to BS EN 1154 and BS EN 1155
- Meets the requirements of BS 8300 - 2:2018
- Fire door rated for use on 60 minute fire doors
- 2-year electrical guarantee and 10-year mechanical guarantee

Floor Spring

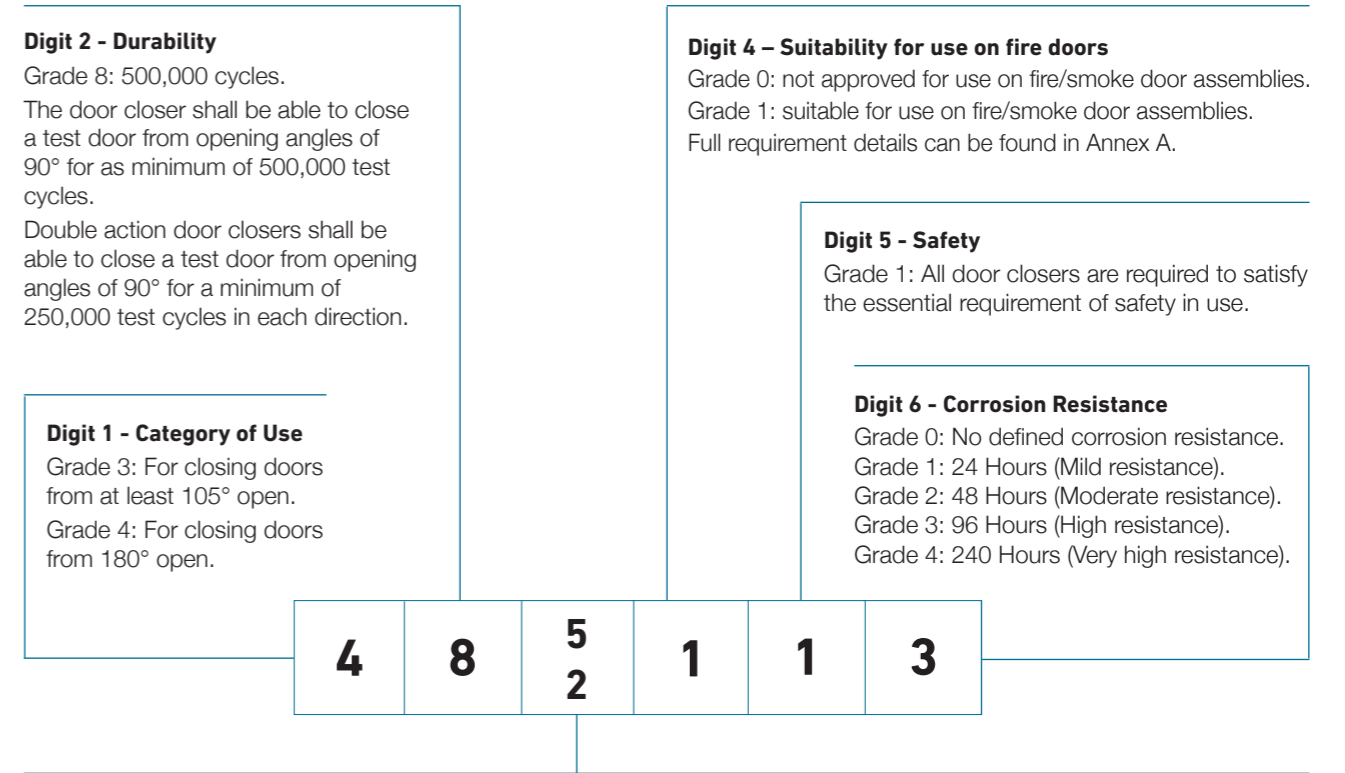
- UKCA & CE marked and fire door rated to FD30
- Double action product with a maximum load capacity of 105kg
- Select the correct intumescent pack to ensure the product adheres to the latest fire regulations

Jamb Mounted Door Control

- Suitable for use on fire doors
- 2-year mechanical guarantee

Guide to BS EN 1154:1996

BS EN 1154:1996 UK designated version of the harmonised European standard entitled "Building hardware. Controlled door closing devices. Requirements and test methods." The standard details the product types, classification by use, test cycles, door mass, corrosion resistance, and product performance requirements.



Digit 3 - Test Door Mass

Door Closer power size	Recommended door leaf width	Test door mass	Closing moment				Opening moment between 0* and 60*	Door efficiency between 0* and 4*
			between 0* and 42*		between 88* and 92*	any other angle of opening		
			Nm min	Nm max				
1	< 750	20	9	<13	3	2	26	50
2	850	40	13	<18	4	3	36	50
3	950	60	18	<26	6	4	47	55
4	1100	80	26	<37	9	6	62	60
5	1250	100	37	<54	12	8	83	65
6	1400	120	54	<87	18	11	134	65
7	1600	160	87	<140	29	18	215	65



DCC2024CF/SV
Concealed Slim Door Closer
Variable Power Size 2-4



DCC2024CF/PNP/FCP
Closer c/w Cover Pack



DCC2024CF/SNP/FCP
Closer c/w Cover Pack

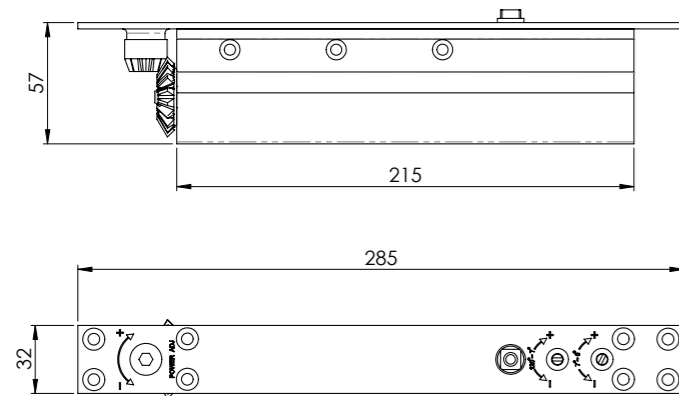


INT2024
Intumescent Pack for FD30

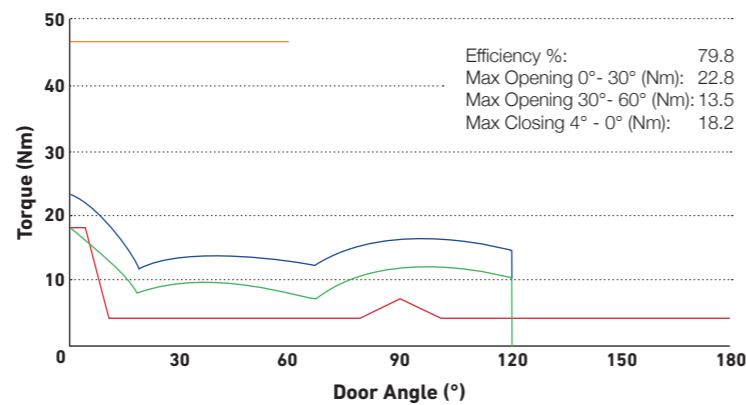
INT2024/60
Intumescent Pack for FD60

Suitable for left and right hand application

Suitable for doors up to 80kg and/or 1100mm wide



— Max Closing Moment (EN)
— Opening Moment
— Closing Moment
— Min Closing Moment (EN)



The DCC2024CF concealed door closer has an opening force (0-30°) less than 30N when fitted to a minimum width door of 760mm, and has an opening force (30-60°) less than 22.5N when fitted to a minimum width door of 600mm tested in laboratory conditions. Therefore the suitable width of door for the DCC2024CF concealed door closer fixed in the above fixing position is 760mm.

EN1154:1996 + A1:2002 + AC:2006					
2812 - CPR - AD5036					
3	8	4	1	1	3

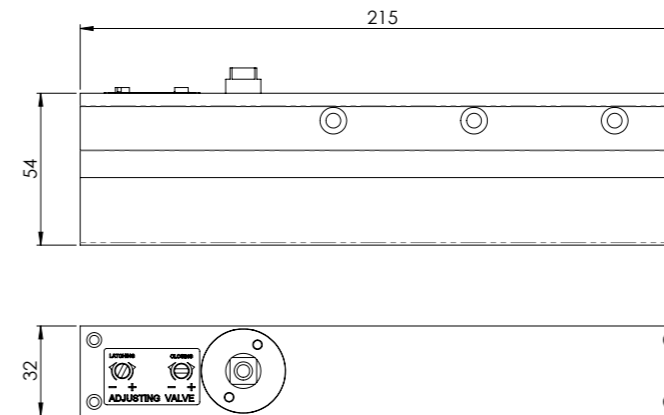


DCC2024SM/SV
Surface Mounted Slim H.E Door Closer
Variable Power Size 2-4

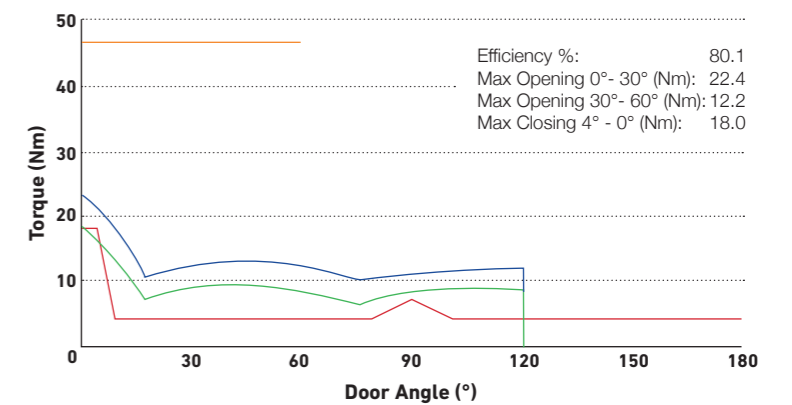


Suitable for left and right hand application

Suitable for doors up to 80kg and/or 1100mm wide



— Max Closing Moment (EN)
— Opening Moment
— Closing Moment
— Min Closing Moment (EN)



The DCC2024SM surface mounted slim H.E door closer has an opening force (0-30°) less than 30N when fitted to a minimum width door of 747mm, and has an opening force (30-60°) less than 22.5N when fitted to a minimum width door of 542mm tested in laboratory conditions. Therefore the suitable width of door for the DCC2024SM surface mounted slim H.E door closer fixed in the above fixing position is 747mm.

EN1154:1996 + A1:2002 + AC:2006					
2812 - CPR - AD5036					
3	8	4	1	1	3





DCS2026BC/SV
Heavy Duty Overhead Door Closer
Variable Power Size 2-6



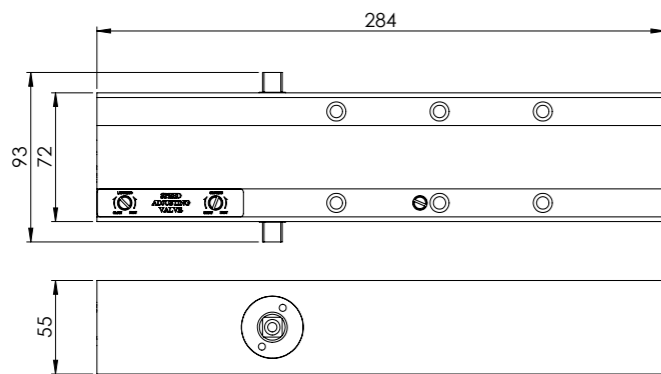
Suitable for left and right hand application

Suitable for fire door use

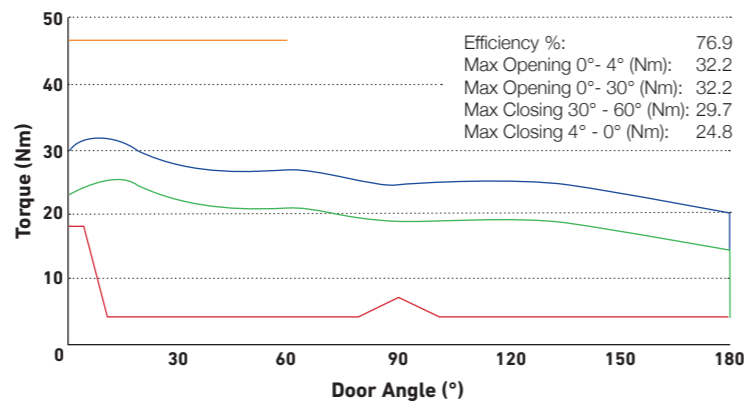
Suitable for doors up to 120kg and/or 1400mm wide

Supplied with backcheck as standard

Simple power size adjustment with supplied key



— Max Closing Moment (EN)
— Opening Moment
— Closing Moment
— Min Closing Moment (EN)



The DCS2026BC overhead door closer has an opening force (0-30°) less than 33N when fitted to a minimum width door of 1030mm, and has an opening force (30-60°) less than 22.5N when fitted to a minimum width door of 926mm tested in laboratory conditions. Therefore the suitable width of door for the DCS2026BC overhead door closer fixed in the above fixing position is 1030mm. (Power trace taken at 0 cycles).

EN1154:1996 + A1:2002 + AC:2006						
2812 - CPR - AD0200						
Fig 1	4	8	6	1	1	3
Fig 6	3	8	5	1	1	3



CDG025/PNP
CDG025/SNP
CDG025/SV
Full Cover Overhead Door Closer
Variable Power Size 2-5



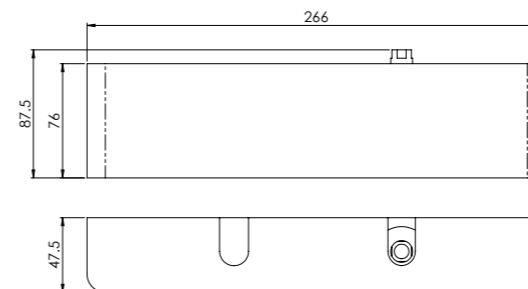
Suitable for left and right hand application

Suitable for fire door use

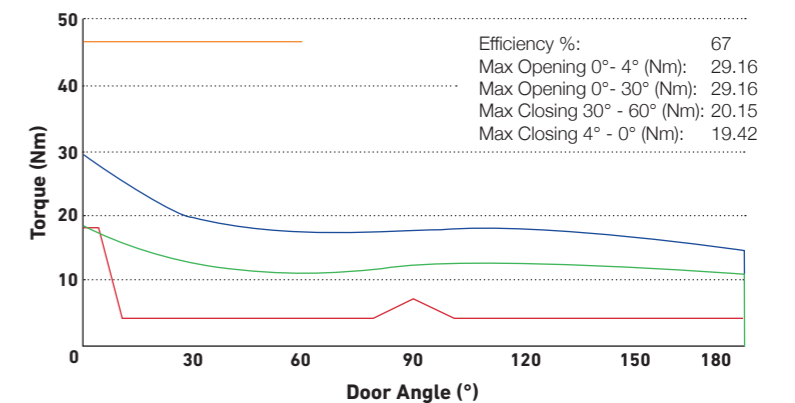
Suitable for doors up to 100kg and/or 1250mm wide



CDG025MB/PACK
CDG025SB/PACK
Full Cover Accessory Pack To Suit
(Arm, Bracket, Cover & Fixings)



— Max Closing Moment (EN)
— Opening Moment
— Closing Moment
— Min Closing Moment (EN)



The 025 overhead door closer has an opening force (0-30°) less than 30N when fitted to a minimum width door of 926mm, and has an opening force (30-60°) less than 22.5N when fitted to a minimum width door of 838mm tested in laboratory conditions. Therefore the suitable width of door for the CDG025 overhead door closer fixed in the above fixing position is 926mm.

EN1154:1996 + A1:2002 + AC:2006						
2812 - CPR - AD5397						
Fig 1	3	8	5	1	1	3
Fig 6	3	8	4	1	1	3





DCS2024BC/SV
Medium Frequency Overhead Door Closer
Variable Power Size 2-4



DCS2024BC/PNP/FCP
Closer c/w Cover Pack



DCS2024BC/SNP/FCP
Closer c/w Cover Pack

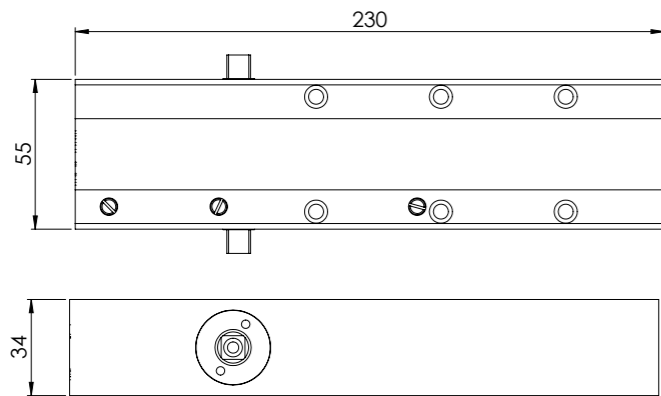


Suitable for left and right hand application

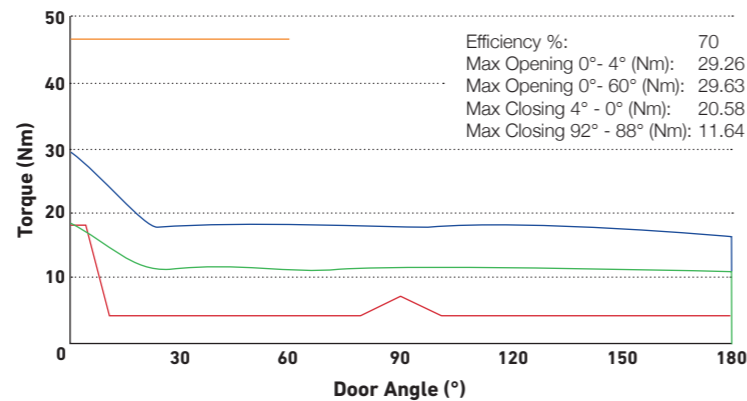
Suitable for fire door use

Suitable for doors up to 80kg and/or 1100mm wide

Supplied with backcheck as standard



— Max Closing Moment (EN)
— Opening Moment
— Closing Moment
— Min Closing Moment (EN)



The DCS2024BC overhead door closer has an opening force (0-30°) less than 30N when fitted to a minimum width door of 926mm, and has an opening force (30-60°) less than 22.5N when fitted to a minimum width door of 838mm tested in laboratory conditions. Therefore the suitable width of door for the DCS2024BC overhead door closer fixed in the above fixing position is 926mm.

EN1154:1996 + A1:2002 + AC:2006						
2812 - CPR - AD0198						
Fig 1	4	8	4	1	1	3
Fig 6	4	8	4	1	1	3



DCT2024/SV
Medium Frequency Overhead Door Closer
Variable Power Size 2-4



DCT2024BC/SV
Back Check



DCT2024PNP/FCP
DCT2024BC/PNP/FCP
Closer c/w Cover Pack



DCT2024SNP/FCP
DCT2024BC/SNP/FCP
Closer c/w Cover Pack

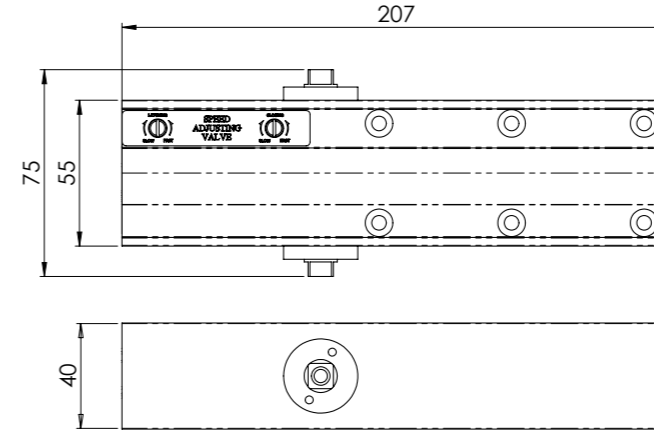


Suitable for left and right hand application

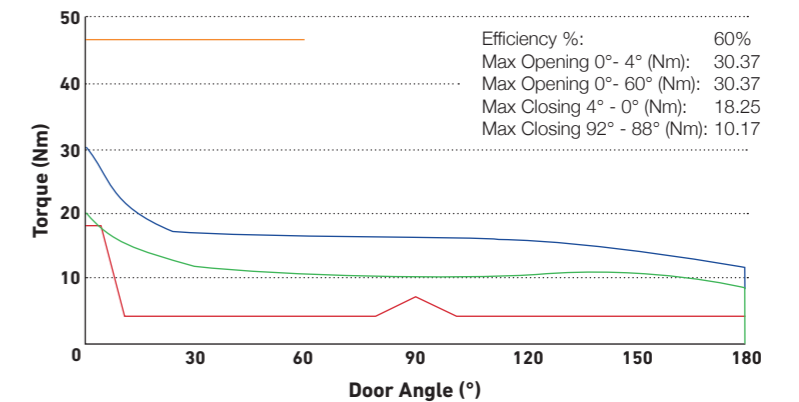
Suitable for fire door use
Suitable for fully insulated steel doorsets only

Suitable for doors up to 80kg and/or 1100mm wide

Back check not covered by CE or Certifire



— Max Closing Moment (EN)
— Opening Moment
— Closing Moment
— Min Closing Moment (EN)



The DCT2024 & DCT2024BC overhead door closer has an opening force (0-30°) less than 31N when fitted to a minimum width door of 948mm, and has an opening force (30-60°) less than 22.5N when fitted to a minimum width door of 838mm tested in laboratory conditions. Therefore the suitable width of door for the DCT2024 & DCT2024BC overhead door closer fixed in the above fixing position is 948mm.

EN1154:1996 + A1:2002 + AC:2006						
2812 - CPR - AD0197						
Fig 1	4	8	4	1	1	3
Fig 6	4	8	3	1	1	3





DCF2003SV
General Overhead Door Closer
Fixed Power Size 3



DCF2003PNP/FCP
Closer c/w Cover Pack



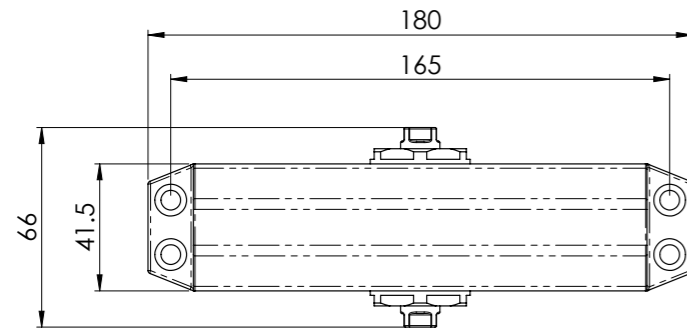
DCF2003SNP/FCP
Closer c/w Cover Pack



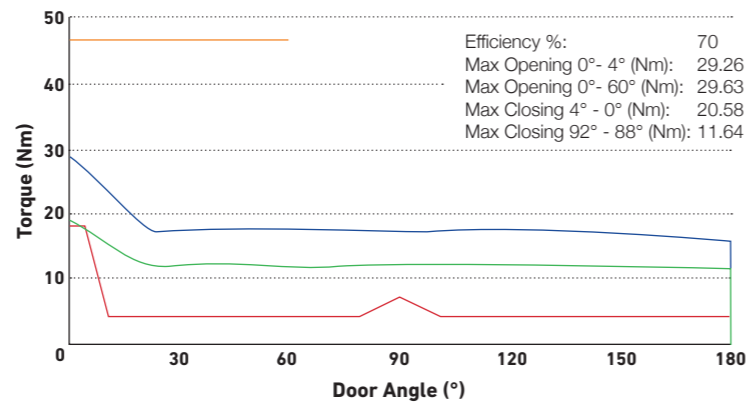
Suitable for left and right hand application

Suitable for fire door use
Suitable for fully insulated steel doorsets only

Suitable for doors up to 60kg and/or 950mm wide



— Max Closing Moment (EN)
— Opening Moment
— Closing Moment
— Min Closing Moment (EN)



The DCF2003 overhead door closer has an opening force (0-30°) less than 30N when fitted to a minimum width door of 926mm, and has an opening force (30-60°) less than 22.5N when fitted to a minimum width door of 838mm tested in laboratory conditions. Therefore the suitable width of door for the DCF2003 overhead door closer fixed in the above fixing position is 926mm.

EN1154:1996 + A1:2002 + AC:2006						
2812 - CPR - AD0196						
Fig 1	4	8	3	1	1	3
Fig 6	4	8	3	1	1	3



CDG420
Overhead Door Closer
Template Adjustable Size 2-4



Suitable for inward and outward opening doors

Suitable for timber fire doors up to 120 minutes

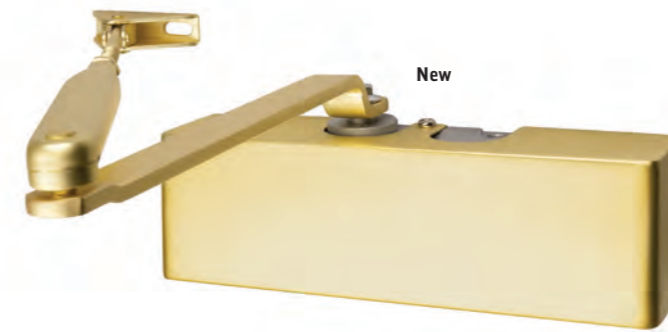
Suitable for doors up to 80kg and/or 1100mm wide (Fig 1)

Suitable for doors up to 60kg and/or 950mm wide (Fig 6 & Fig 61)

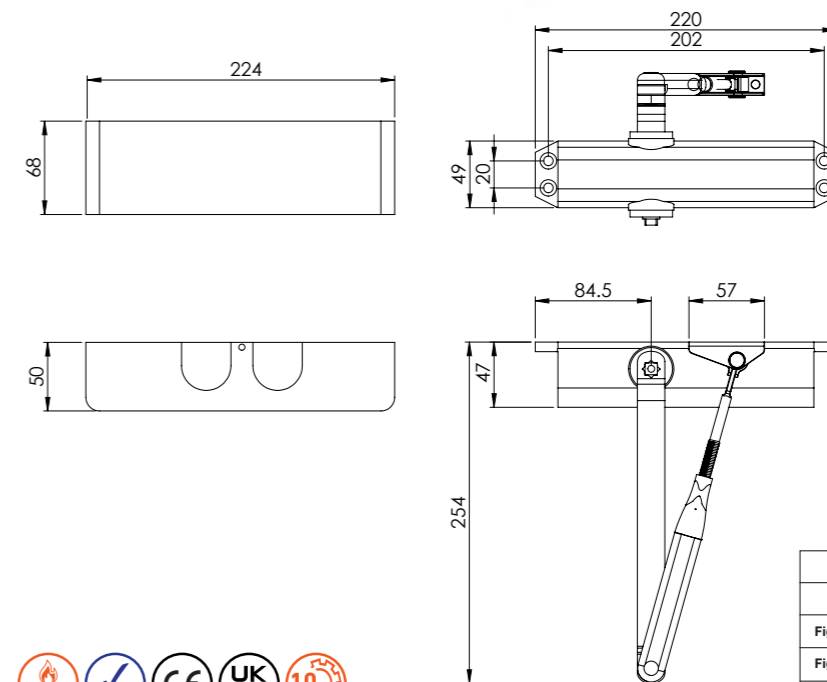
Certifire approved in installation applications Fig 1, Fig 6 & Fig 61

Backcheck (Fig 1)

CE Marked



CDG420MB/PACK
CDG420SB/PACK
Full Cover Accessory Pack To Suit (Arm, Bracket, Cover & Fixings)



EN1154:1996 + A1:2002 + AC:2006						
2812 - CPR - AD5462						
Fig 1	3	8	4	1	1	3
Fig 6	3	8	3	1	1	3
Fig 61	3	8	3	1	1	3





CDG003/ PNP
CDG003/ SNP
Plated Full Cover Overhead Door Closer
Fixed Power Size 3



CDG003
Overhead Door Closer
Fixed Power Size 3



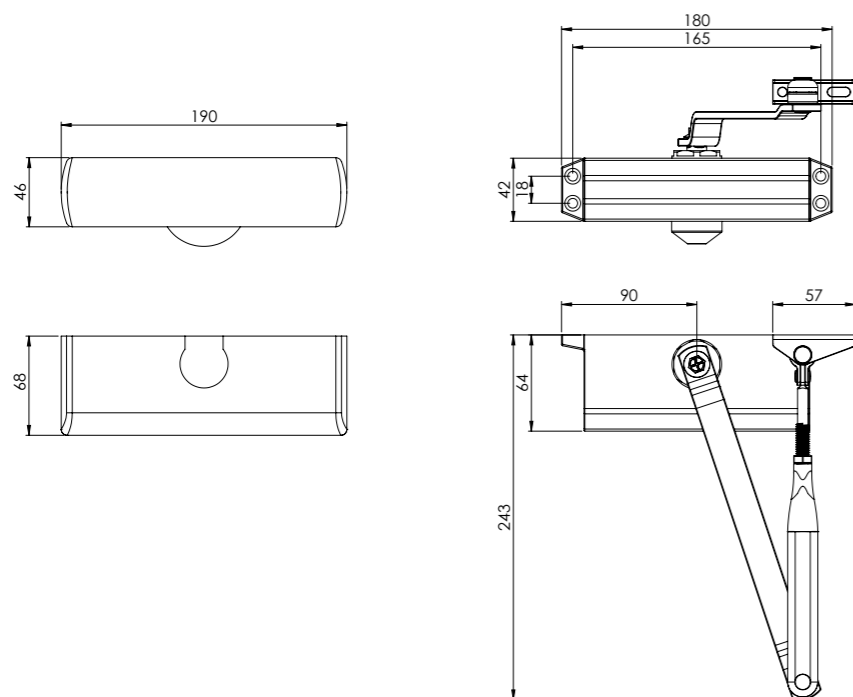
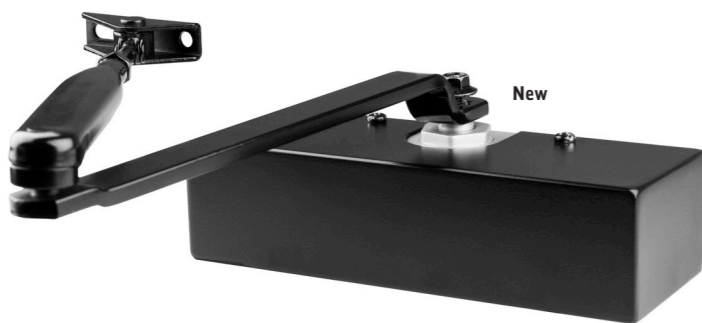
Suitable for left and right hand application

Suitable for fire door use

Suitable for doors up to 60kg and/or 950mm wide



CDG003MB/ PACK
Full Cover Accessory Pack To Suit (Arm, Bracket, Cover & Fixings)



EN1154:1996 + A1:2002 + AC:2006						
2812 - CPR - AD5232						
Fig 1	4	8	3	1	1	3
Fig 6	3	8	3	1	1	3

BS EN 1155:1997 UK designated version of the harmonised European standard entitled "Building hardware. Electrically Powered Hold Open Devices for swing doors. Requirements and test methods." The standard details the product types, classification by use, test cycles, door mass, corrosion resistance, and product performance requirements.

Door controls with electrical components, such as electrically powered hold open and free swing door closers, shall also conform to the requirements of both BE EN 1155 and BS EN 1154.

Digit 2 - Durability

Grade 5: 50,000 test cycles for all electrically powered hold-open devices (the electrically powered hold-open device shall be able to release a test door from a hold-open angle of 90°, a minimum of 25,000 times when the electrical supply is removed, and a further 25,000 times when mechanically pulled from the hold-open position).

Grade 8: 500,000 test cycles for all electrically powered hold-open and free swing door closers, and devices that contain operating arms (full durability criteria can be found in cl 7.2.8.3 of the European Standard).

Digit 4 - Suitability for use on fire doors

Grade 1: suitable for use on fire/smoke door assemblies. The electrically powered hold-open device, representative of its type, shall have been included in a successful door test to prEN1634-1. The test shall have been carried out on a full sized door assembly.

Digit 5 - Safety

Grade 1: All electrically powered hold-open devices are required to satisfy the essential requirement of safety in use.

Digit 6 - Corrosion Resistance

Grade 0: No defined corrosion resistance.
Grade 1: 24 Hours (Mild resistance).
Grade 2: 48 Hours (Moderate resistance).
Grade 3: 96 Hours (High resistance).
Grade 4: 240 Hours (Very high resistance).

Digit 1 - Category of Use

Grade 3: For doors for use by the public, and others, with little incentive to take care, i.e. where there is some chance of misuse.

Note: For electrically powered hold-open and free swing door closers, where the opening angle is limited by the device, provision of a separate door stop should be considered.



Digit 3 - Test Door Mass

Hold-open power size	Recommended door leaf width Mn max	Test door mass Kg	Overload test drop weight Kg	Test door friction Nm max
3	950	60	15	0,3
4	1100	80	18	0,4
5	1250	100	21	0,5
6	1400	120	27	0,6
7	1600	160	36	0,8

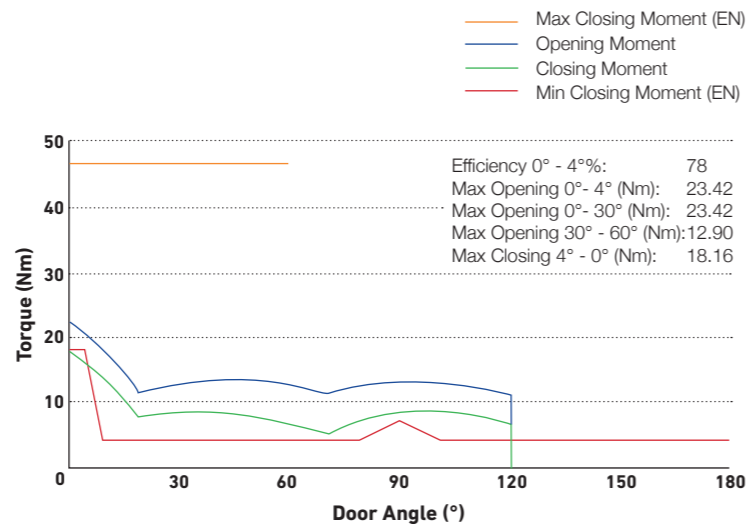
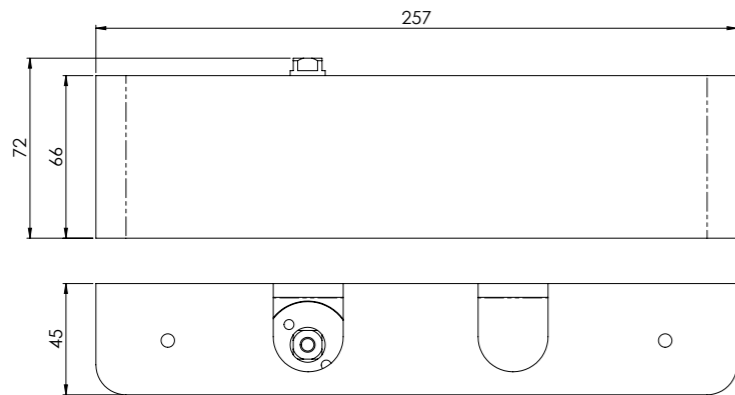




DCEM3024/SV
Electromagnetic HO/FS Door Closer
Variable Power Size 2-4



- Suitable for left and right hand application
- Suitable for fire door use
- Suitable for doors up to 80kg and/or 1100mm wide
- Power adjustment by spring

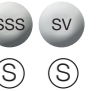


The DCEM3024 surface mounted H.E door closer has an opening force (0-30°) less than 30N when fitted to a minimum width door of 781mm, and has an opening force (30-60°) less than 22.5N when fitted to a minimum width door of 573mm tested in laboratory conditions. Therefore the suitable width of door for the DCEM3024 surface mounted H.E door closer fixed in the above fixing position is 781mm.

1121 - CPD - AD0191	08						
EN1154:1996 + A1:2002 + AC:2006	3	8	4	2	1	1	3
EN1155:1997 + A1:2002 + AC:2006	3	8	4	3	1	1	3

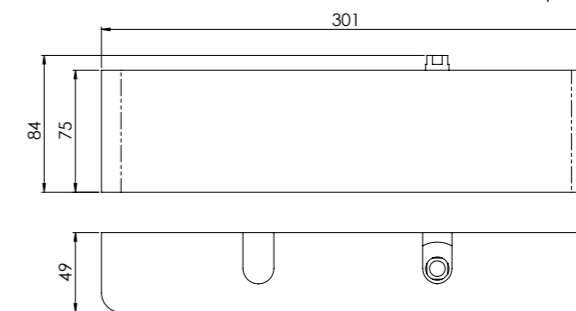


DCEM2004/SS
DCEM2004/SV
Electromagnetic HO/FS Door Closer
Fixed Power Size 4



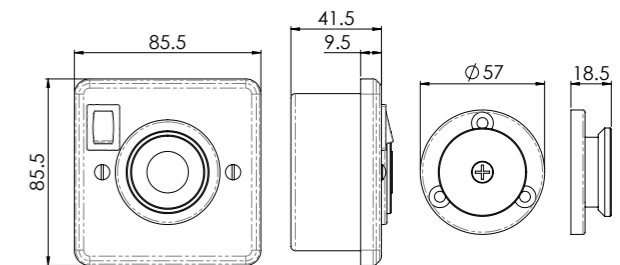
- Suitable for left and right hand application
- Suitable for fire door use
- Suitable for doors up to 80kg and/or 1100mm wide

Hold open free swing arm included

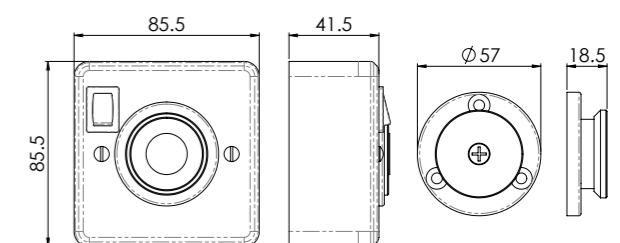


1121 - CPD - AE5001	12					
EN1154:1996 + A1:2002 + AC:2006	3	8	4	1	1	3
EN1155:1997 + A1:2002 + AC:2006	3	8	4	1	1	3

DEM100F/SV
Flush Mounted Wall Magnet



DEM100S/SV
Surface Mounted Wall Magnet



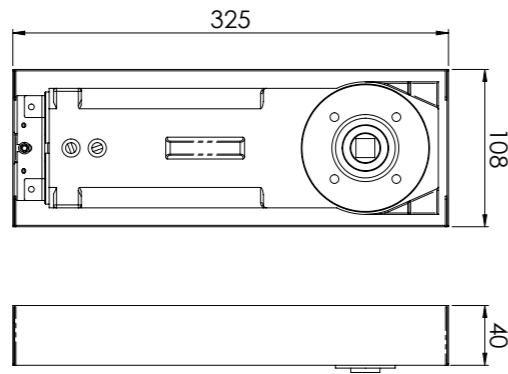


DCFS150/EN3
Double Action Floor Spring 105kg

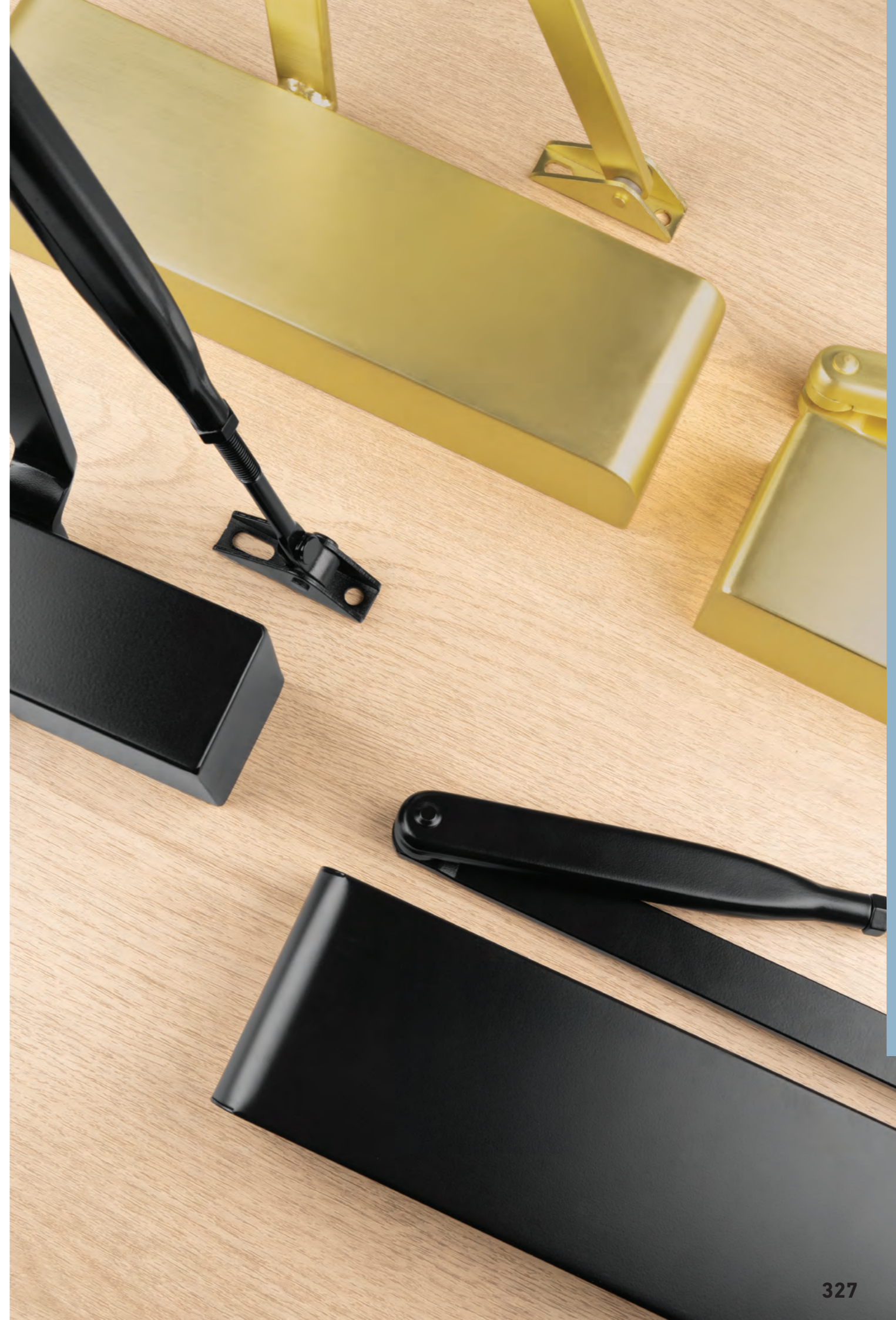


Suitable for left and right hand application

Suitable for doors up to 105kg and/or 950mm wide



EN1154:1996 + A1:2002 + AC:2006					
2812 - CPR - AD5037					
3	8	3	1	1	3

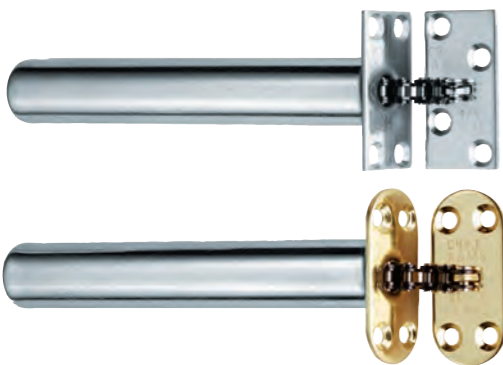
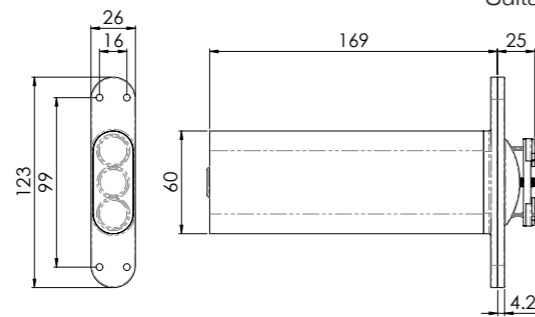


CDC85/R
Adjustable Jamb Mounted Door Closer



Suitable for left and right hand application

Suitable for doors up to 80kg and/or 940mm wide

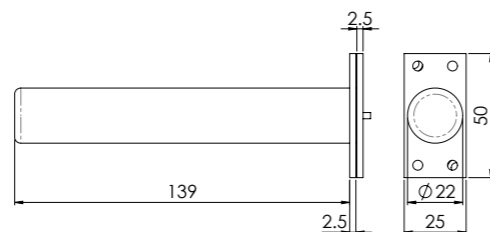


AA45
Concealed Chain Spring Door Closer



AA45R
Radius

Suitable for left and right hand application



Matching Intumescent INTAA45 on page 413



- ★ Large selection of contract and architectural locks
- ★ Extensive range of flat, tubular and upright latches
- ★ Manufactured to the highest standards, delivering reliable, durable products



Easi-T British Standard Locks

- 5 lever locks and cylinder locks that will satisfy the security requirement for domestic insurance policies
- Suitable for use on 30 and 60 minute fire doors and fully certfire accredited
- 25-year mechanical guarantee
- Fully tested and certified to BS EN 3621 and BS EN 8621
- Approved by Secured by Design for attack resistance
- UKCA & CE certified and suitable for all industrial, commercial and residential projects

Easi-T Architectural and Contract DIN Locks

- Tested to BS EN 12209 standards
- Modular in design; both ranges allow for simple and efficient installation
- Suitable for use on fire doors from 30 minutes up to 4 hours with full certfire accreditation
- Architectural 10-year mechanical guarantee
- 5-year mechanical guarantee on contract
- UKCA & CE certified and suitable for commercial projects
- 72-78mm lock centres, compliant with BS 8300

Easi-T Architectural UK Locks

- “Heavy duty” architectural range of UK size mortice locks with standard centres
- Fully certfire accredited
- Suitable for use on 30 and 60 minute fire doors
- 10-year mechanical guarantee
- UKCA & CE certified

Easi-T Universal Replacement Locks

- Medium duty range of UK size mortice locks to allow replacement of traditional UK size locks
- Fully certfire accredited, suitable for use on 30 and 60 minute fire doors
- 10-year mechanical guarantee
- UKCA & CE certified

Easi-T Residential Locks

- Fully certfire accredited
- Suitable for use on 30 and 60 minute fire doors
- 10-year mechanical guarantee UKCA & CE certified
- Tested to BS EN 12209

Latches

- Light, medium and heavy duty mortice latches and heavy duty deadbolts
- Including heavy duty latches with backsets up to 5 inches, suitable for our Carlisle Brass door knobs
- Fire door rated and performance tested products
- 5-10 year mechanical guarantees
- Includes products with Certfire accreditation
- Includes UKCA & CE products

BS EN 12209:2003 UK designated version of the harmonised European standard entitled “Building hardware. Mechanically operated locks, latches and locking plates. Requirements and test methods.” The standard covers all types of mechanical lock or latch including associated or separately supplied locking plates intended for use on pedestrian doors in buildings. It does not however apply to electro-mechanically operated locks and strike plates, multi-point locks or window locks.

Digit 6 - Corrosion Resistance

Corrosion Resistance (NSS)	Temperature Resistance	
	No Requirement	-20deg C to +80deg C
No Requirement	Grade 0	-
24 Hours	Grade A	-
48 Hours	Grade B	Grade E
96 Hours	Grade C	Grade F

Digit 7 - Security and Drill Resistance

Security Level	No Drilling Requirement	Drilling Requirement
Minimum	Grade 1	-
Low	Grade 2	-
Medium	Grade 3	-
High	Grade 4	Grade 5
Very High	Grade 6	Grade 7

Digit 4 - Suitability for use on Fire Doors

Grade 0: Not approved for use on fire/smoke resisting door assemblies.
Grade 1: Suitable for use on fire/smoke resisting door assemblies

Digit 3 - Door Mass and Closing Force

Maximum Closing Force	Door Mass		
	Up to 100 kg	Up to 200 kg	Above 200 kg
15 N	Grade 7	Grade 8	Grade 9
25 N	Grade 4	Grade 5	Grade 6

Digit 9 - Type of Key and Locking

Grade 0: Not applicable
Grade A: Cylinder lock or latch; manually locking
Grade B: Cylinder lock or latch; automatically locking
Grade C: Cylinder lock or latch; manually locking with intermediate locking
Grade D: Lever lock or latch; manually locking
Grade E: Lever lock or latch; automatically locking
Grade F: Lever lock or latch; manually locking with intermediate locking
Grade G: Lock or latch without key operation; manually locking



Digit 5 - Safety
No Requirement

Digit 8 - Field of Door Application
15 Grades are Identified: A to R

Digit 1 - Category of Use
Grade 1: Low frequency of use, e.g. residential doors
Grade 2: Medium frequency of use, e.g. office doors
Grade 3: High frequency of use, e.g. doors in public buildings

Digit 2 - Durability

Number of cycles	Side Load None	Side Load 10 N	Side Load 25 N	Side Load 50 N	Side Load 120 N
50,000	Grade A	Grade F	-	-	-
100,000	Grade B	Grade G	Grade L	Grade R	Grade W
200,000	Grade C	Grade H	Grade M	Grade S	Grade X

Digit 10 - Type of Spindle Operation
Grade 0: Lock without follower
Grade 1: Lock with sprung lever or knob
Grade 2: Lock with light unsprung lever
Grade 3: Lock with heavy unsprung lever
Grade 4: Lock with manufacturer's own specification

Digit 11 - Key Identification

Minimum Number Detainers	Limited Differs	Extended Number Effective Differs
No Requirement	0	-
Three	A	-
Five	B	C
Six	D	E
Seven	F	G
Eight	-	H

Note: This applies only to lever locks: cylinders are assessed to BS EN 1303:2015



LDB5525
LDB5530
5 Lever BS Deadlock

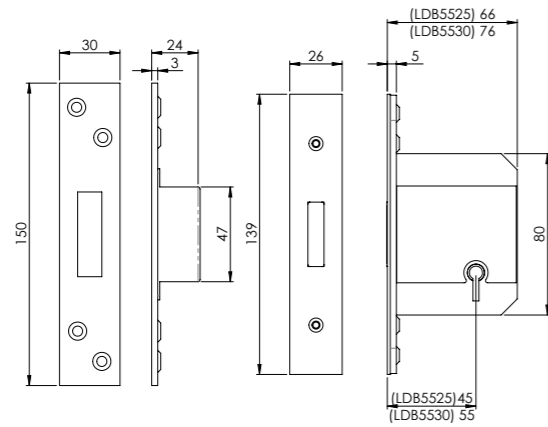
PVD SSS

ARB5205
13mm Rebate Kit
ES1273
Intumescent Lock Pack

FSF5012
Forend and Strike Pack

FSF5012/R
Radius

BSS PVD SSS



EN 12209:2003										
2812 - CPR - AG0130										
2	H	8	1	0	F	7	K	D	0	B



EDB5025
EDB5030
Euro Profile BS Cylinder Deadlock - Complete Set

SSS

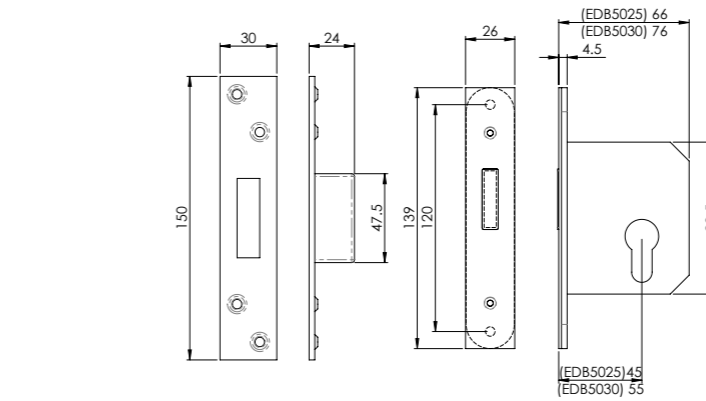
ARB5405
13mm Rebate Kit
ES1273
Intumescent Lock Pack

FSF5029
Forend and Strike Pack

BSS

FSF5029/R
Radius

PVD SSS



EN 12209:2003										
2812 - CPR - AG0130										
2	H	8	1	0	F	7	B	A	0	0



LSB5525
LSB5530
5 Lever BS Sashlock

PVD SSS

ARB5105
13mm Rebate Kit
ARB5110
25mm Rebate Kit

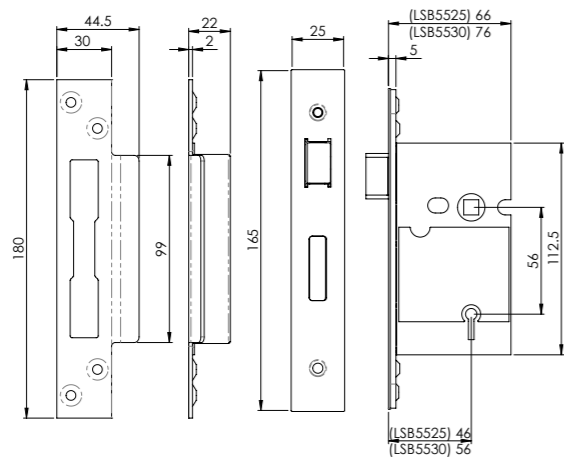
SSS

ES1271
Intumescent Lock Pack

FSF5013
Forend and Strike Pack

FSF5013/R
Radius

BSS PVD SSS



EN 12209:2003										
2812 - CPR - AG0129										
2	H	8	1	0	F	7	K	D	2	B



ESB5025
ESB5030
Euro Profile BS Cylinder Sashlock - Complete Set

SSS

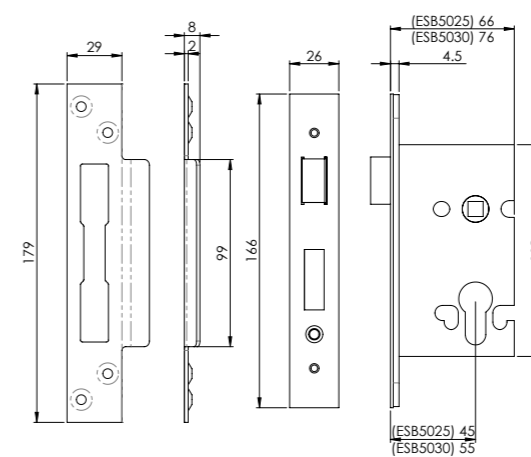
ARB5305
13mm Rebate Kit
ES1271
Intumescent Lock Pack

FSF5030
Forend and Strike Pack

BSS

FSF5030/R
Radius

PVD SSS



EN 12209:2003										
2812 - CPR - AG0129										
2	H	8	1	0	F	7	B	A	2	0





EDB5025/CT
Euro Profile BS Cylinder & Turn Deadlock - Complete Set

SSS

EDB5030/CT

BSS PVD SSS

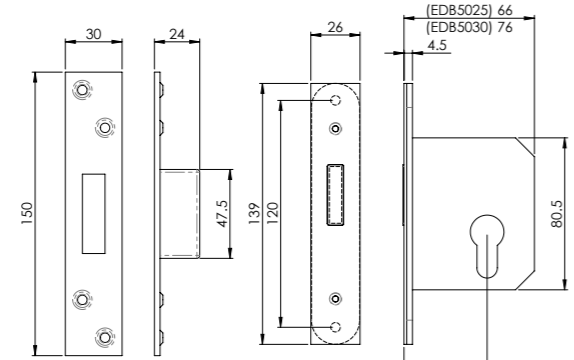
ARB5405
13mm Rebate Kit

ES1273
Intumescent Lock Pack

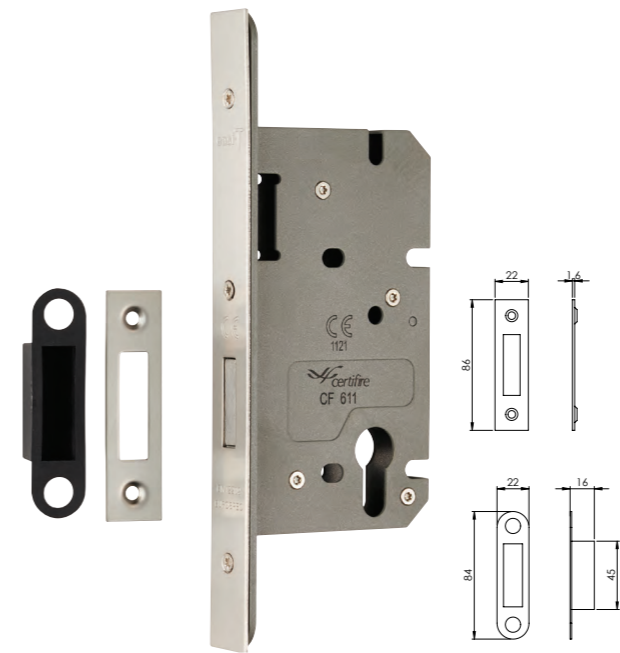
FSF5019
Forend and Strike Pack

FSF5019/R
Radius

BSS PVD SSS



EN 12209:2003									
2812 - CPR - AG0130									
2	H	8	1	0	F	7	B	A	0



DLS0060EPSSS
Din Euro Profile Deadlock

SSS

DLS0060EPSSS/R
Radius

ARDS5005
13mm Rebate Kit

ASS5100
100mm Split Spindle with Lock Back Feature

ALP5038
1/2 Set Fixing Plate

ES1274
Intumescent Lock Pack

FSF5015
Forend and Strike Pack

FSF5015/R
Radius

AB BSS MB MBRZ SB SSS

EN 12209:2003									
2812 - CPR - AG0130									
3	M	8	1	0	F	3	B	A	0



ESB5025/CT
ESB5030/CT
Euro Profile BS Cylinder & Turn Sashlock - Complete Set

SSS

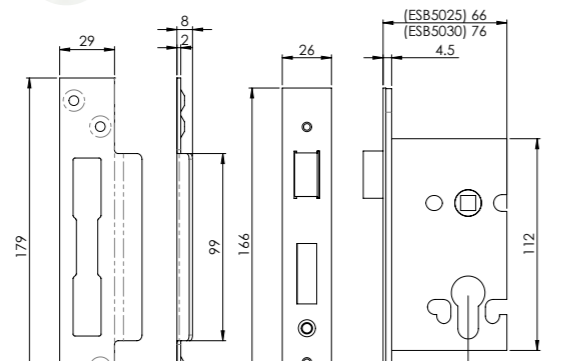
ARB5305
13mm Rebate Kit

ES1271
Intumescent Lock Pack

FSF5020
Forend and Strike Pack

FSF5020/R
Radius

BSS PVD SSS



EN 12209:2003									
2812 - CPR - AG0129									
2	H	8	1	0	F	7	B	A	2



DLS0060LSSS
Din Latch

SSS

DLS0060LSSS/R
Radius

ARDS5005
13mm Rebate Kit

ASS5100
100mm Split Spindle with Lock Back Feature

ALP5038
1/2 Set Fixing Plate

ES1274
Intumescent Lock Pack

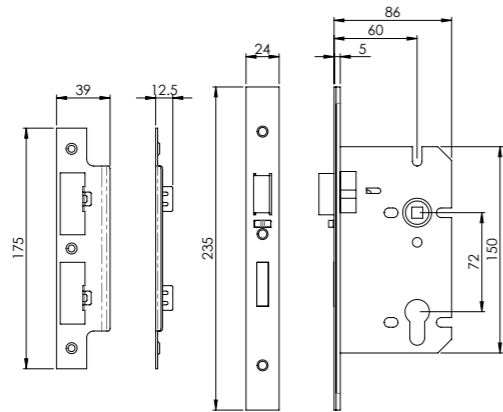
FSF5016
Forend and Strike Pack

FSF5016/R
Radius

AB BSS MB MBRZ SB SSS

EN 12209:2003									
2812 - CPR - AG0133									
3	M	8	1	0	F	-	B	0	2





DLS7260EPSSS
Din Euro Profile Sashlock

SSS

DLS7260EPSSS/R
Radius

ARDS5005
13mm Rebate Kit
ASS5100
100mm Split Spindle
with Lock Back Feature
ALP5038
1/2 Set Fixing Plate
ES1274
Intumescent Lock Pack

FSF5017
Forend and
Strike Pack

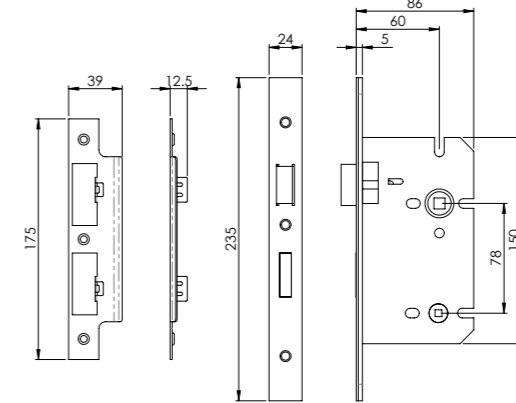
FSF5017/R
Radius



EN 12209:2003										
2812 - CPR - AG0133										
3	M	8	1	0	F	3	B	A	2	0



APPROVED PRODUCT
CF611



DLS7860WCSSS
Din Bathroom Lock
5mm Follower

SSS

DLS7860WCSSS/R
Radius
DLS7860WC/8/SSS (S)
8mm Follower

ARDS5005
13mm Rebate Kit
ASS5100
100mm Split Spindle
with Lock Back Feature
ALP5038
1/2 Set Fixing Plate
ES1274
Intumescent Lock Pack

FSF5017
Forend and
Strike Pack

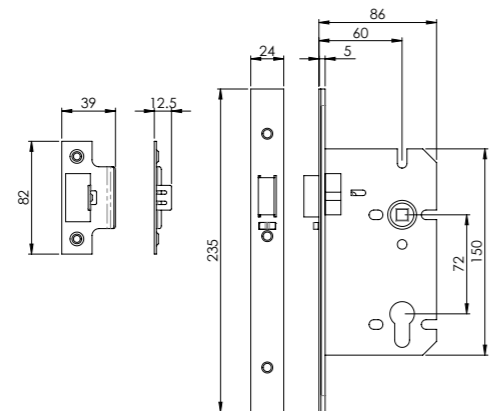
FSF5017/R
Radius



EN 12209:2003										
2812 - CPR - AG0133										
3	M	8	1	0	F	-	B	G	2	0



APPROVED PRODUCT
CF611



DLS7260NLASSS
Din Euro Profile Nightlatch - Anti Thrust Snib

SSS

DLS7260NLASSS/R
Radius

ARDS5005
13mm Rebate Kit
ASS5100
100mm Split Spindle
with Lock Back Feature
ALP5038
1/2 Set Fixing Plate
ES1274
Intumescent Lock Pack

FSF5031
Forend and
Strike Pack

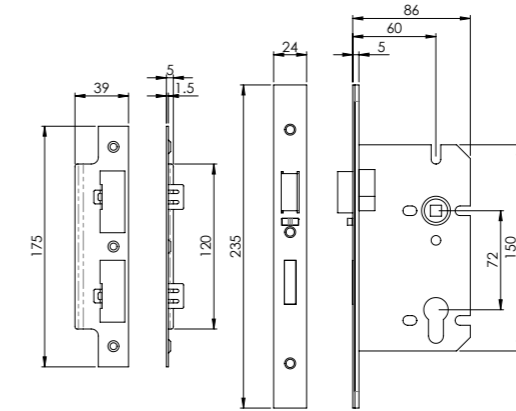
FSF5031/R
Radius



EN 12209:2003										
2812 - CPR - AG0133										
3	M	8	1	0	F	1	B	0	2	0



APPROVED PRODUCT
CF611



DLS7260ESCSSS
Din Euro Profile Escape Lock

SSS

DLS7260ESCSSS/R
Radius

ASS5100
100mm Split Spindle
with Lock Back Feature
ALP5038
1/2 Set Fixing Plate
ES1274
Intumescent Lock Pack

FSF5032
Forend and
Strike Pack



FSF5032/R
Radius

EN 179:2008										
2812 - CPR - ABB027										
3	7	6	B	1	4	4	2	A	B/D	
EN 12209:2003 Tested Classification										
3	M	8	1	0	F	3	B	A	2	0



APPROVED PRODUCT
CF719

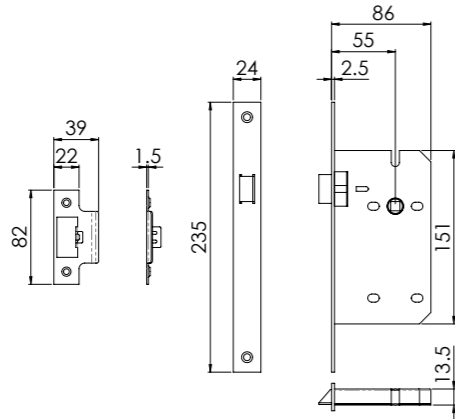


DLE0055L
Din Latch

DLE0055LSSS/R
Radius

SSS

ES1274
Intumescent Lock Pack



EN 12209:2003										
2812 - CPR - AG0133										
3	M	8	1	0	F	-	B	0	2	0

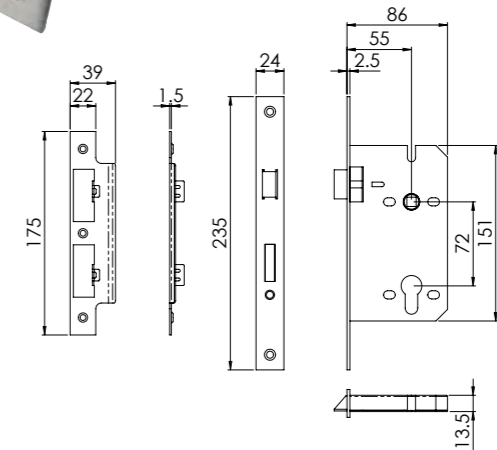


DLE7255EP
Din Euro Profile Sashlock

DLE7255EPSSS/R
Radius

SSS

ES1274
Intumescent Lock Pack



EN 12209:2003										
2812 - CPR - AG0133										
3	M	8	1	0	F	3	B	C	2	0

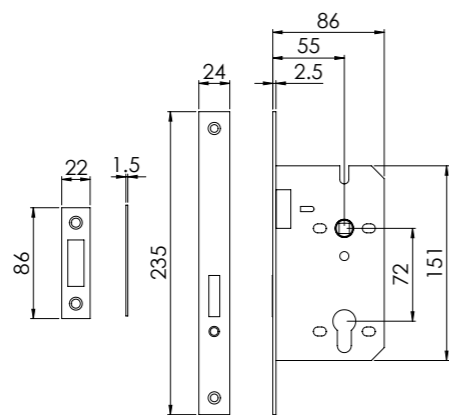


DLE0055EP
Din Euro Profile Deadlock

DLE0055EPSSS/R
Radius

SSS

ES1274
Intumescent Lock Pack



EN 12209:2003										
2812 - CPR - AG0130										
3	M	8	1	0	F	3	B	C	0	0

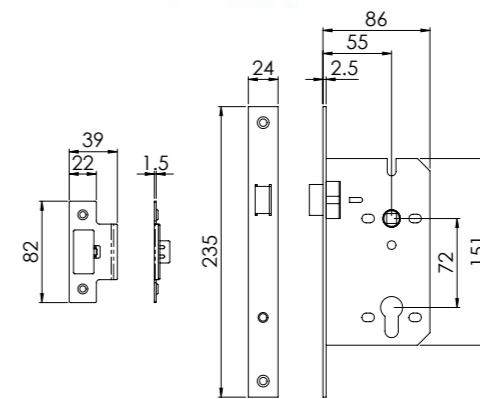


DLE7255NL
Din Euro Profile Nightlatch

DLE7255NLSSS/R
Radius

SSS

ES1274
Intumescent Lock Pack



EN 12209:2003										
2812 - CPR - AG0133										
3	M	8	1	0	F	-	B	0	2	0



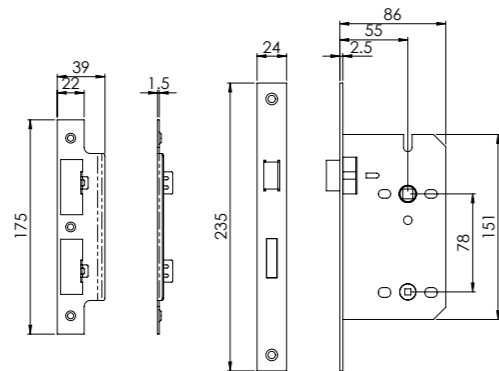


DLE7855WC
Din Bathroom Lock - 5mm Follower

DLE7855WCSSS/R
Radius



ES1274
Intumescent Lock Pack



EN 12209:2003										
2812 - CPR - AG0133										
3	M	8	1	0	F	-	B	G	2	0



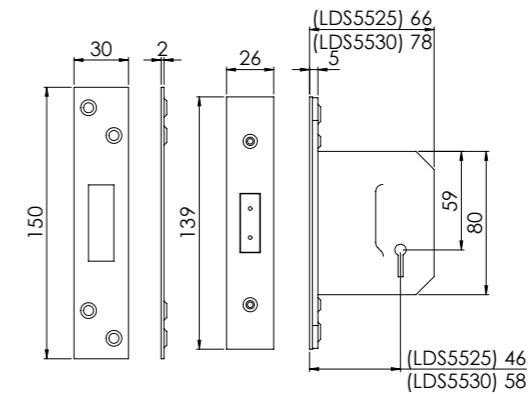
LDS5325
LDS5330
3 Lever Deadlock
LDS5525
LDS5530
5 Lever Deadlock



ARD5205
13mm Rebate Kit
ES1273
Intumescent Lock Pack

FSF5007
Forend and
Strike Pack

FSF5007/R
Radius



EN 12209:2003											
2812 - CPR - AG0130											
3 LEVER	3	H	8	1	0	F	2	K	D	0	A
5 LEVER	3	H	8	1	0	F	2	K	D	0	B



DLE7255EPSSS/R

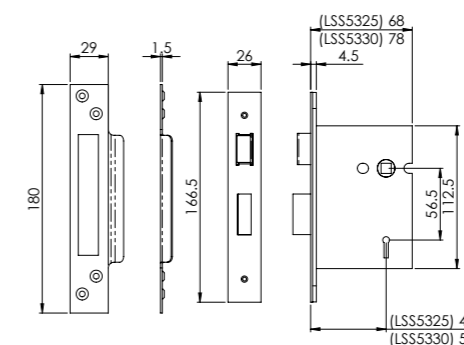
LSS5325
LSS5330
3 Lever Sashlock
LSS5525
LSS5530
5 Lever Sashlock



ARS5105
13mm Rebate Kit
ES1271
Intumescent Lock Pack

FSF5004
Forend and
Strike Pack

FSF5004/R
Radius



EN 12209:2003											
2812 - CPR - AG0137											
3 LEVER	2	H	8	1	0	F	2	K	D	2	A
5 LEVER	2	H	8	1	0	F	2	K	D	2	B

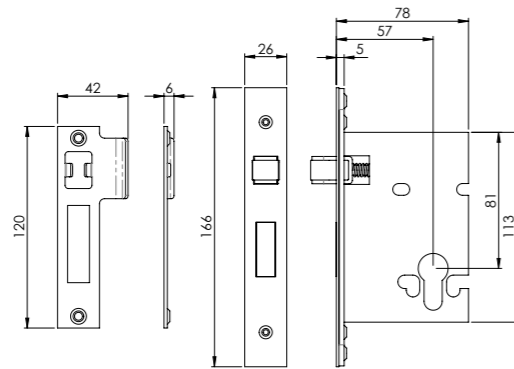




RSL5030
Roller Bolt Euro Profile Deadlock

SSS

ES1273
Intumescent Lock Pack



EN 12209:2003									
2812 - CPR - AG0130									
3	C	B	1	0	F	2	B	A	0



APPROVED PRODUCT
CF611



ESS5025
ESS5030
Euro Profile Sashlock

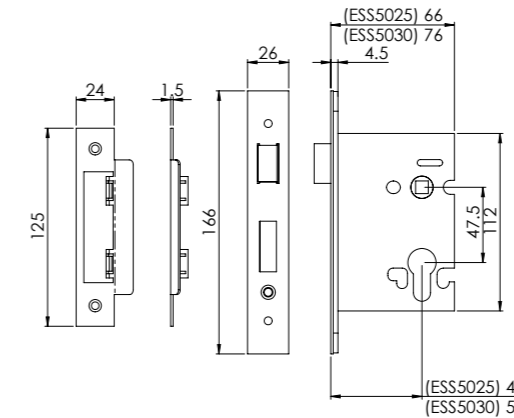
PVD SSS

ARS5105
13mm Rebate Kit
ES1271
Intumescent Lock Pack

FSF5004
Forend and
Strike Pack

FSF5004/R
Radius

AB BSS MB MBRZ SB SSS



EN 12209:2003									
2812 - CPR - AG0130									
2	H	8	1	0	F	2	B	A	2



APPROVED PRODUCT
CF611



EDS5025
EDS5030
Euro Profile Deadlock

PVD SSS

EDS5030/R
Radius

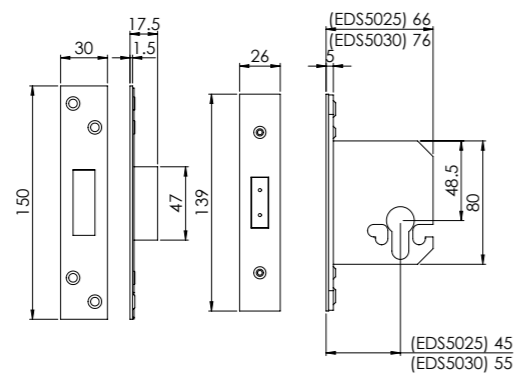
BSS SSS

ARD5205
13mm Rebate Kit
ES1273
Intumescent Lock Pack

FSF5007
Forend and
Strike Pack

FSF5007/R
Radius

AB BSS MB MBRZ SB SSS



EN 12209:2003									
2812 - CPR - AG0130									
3	H	8	1	0	F	2	B	A	0



APPROVED PRODUCT
CF611



BAS5025
BAS5030
Bathroom Lock - 5mm Follower

PVD SSS

BAS5030SSS/R
Radius

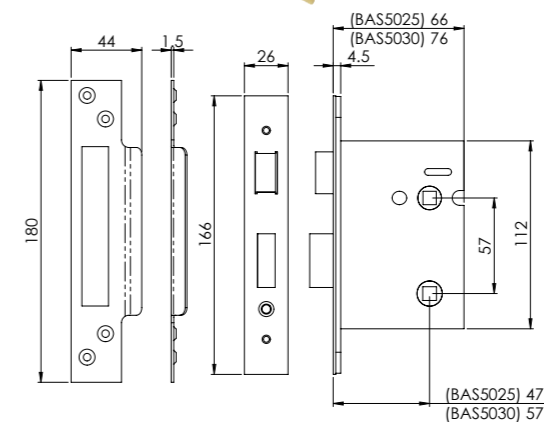
SSS

ARS5105
13mm Rebate Kit
ES1271
Intumescent Lock Pack

FSF5004
Forend and
Strike Pack

FSF5004/R
Radius

AB BSS MB MBRZ SB SSS



EN 12209:2003									
2812 - CPR - AG0130									
2	H	8	1	0	F	-	B	G	2



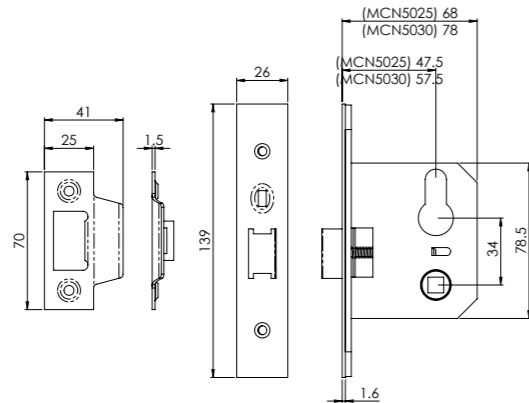
APPROVED PRODUCT
CF611



**MCN5025
MCN5030**
Euro Profile Cylinder Nightlatch - Case Only

SSS

ES1272
Intumescent Lock Pack



LCP1000
Euro Security Cylinder
Pull with Mini Lever

PC PVD SC



Available to buy separately



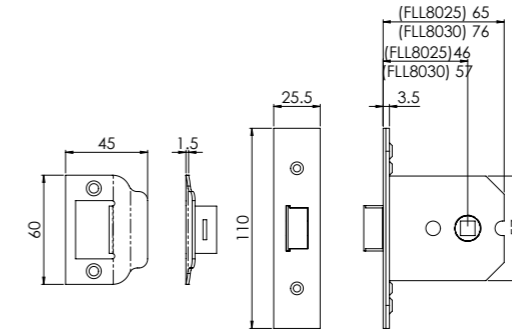
FLL8025
Flat Latch

FLL8030

SCP

S

ARF8105
13mm Rebate Kit
ES1272
Intumescent Lock Pack



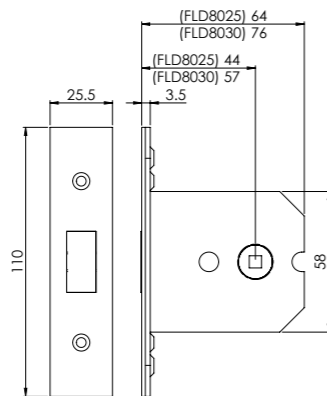
EN 12209:2003											
2812 - CPR - AG0156											
NPD	A	7	1	0	NPD	-	NPD	0	NPD	0	0



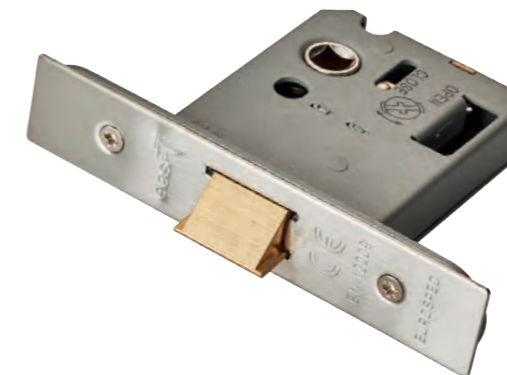
**FLD8025
FLD8030**
Flat Deadlock

SCP

ES1272
Intumescent Lock Pack



EN 12209:2003											
2812 - CPR - AG0130											
3	H	8	1	0	F	-	B	G	0	0	0



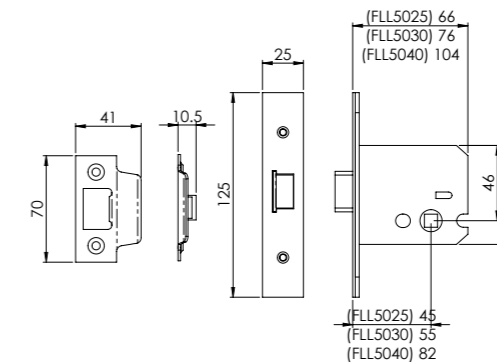
**FLL5025
FLL5030**
Flat Latch

FLL5030/R
Radius

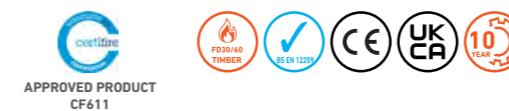
SSS

ES1272
Intumescent Lock Pack

FSF5008
Forend and Strike Pack



EN 12209:2003											
2812 - CPR - AG0137											
2	H	8	1	0	F	-	B	0	2	0	0

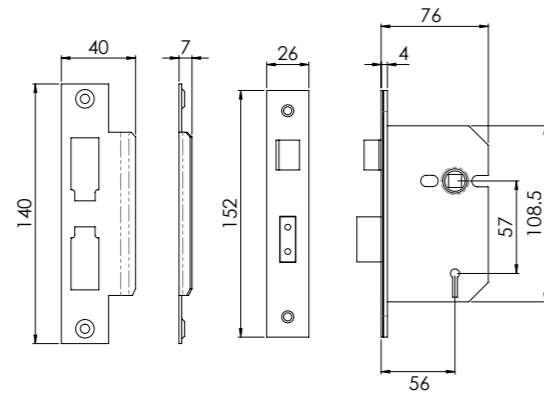




URLS5330
3 Lever Sashlock



ES1271
Intumescent Lock Pack



EN 12209:2003										
2812 - CPR - AG0137										
2	H	8	1	0	F	2	K	D	2	A



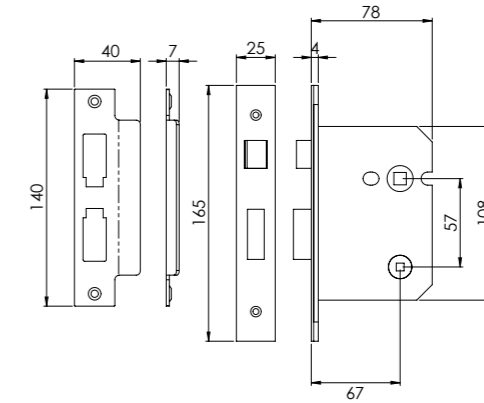
APPROVED PRODUCT
CF611



URBS5030
Universal Replacement Bathroom Sashlock



ES1271
Intumescent Lock Pack



EN 12209:2003										
2812 - CPR - AG0137										
2	H	8	1	0	F	-	B	G	2	0



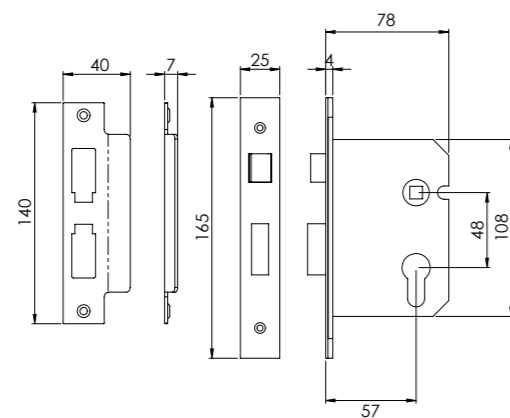
APPROVED PRODUCT
CF611



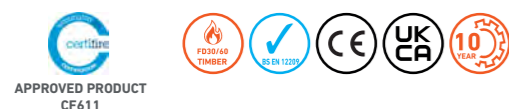
URES5030
Universal Replacement Euro Profile Sashlock



ES1271
Intumescent Lock Pack



EN 12209:2003										
2812 - CPR - AG0137										
2	H	8	1	0	F	1	B	A	2	0



APPROVED PRODUCT
CF611

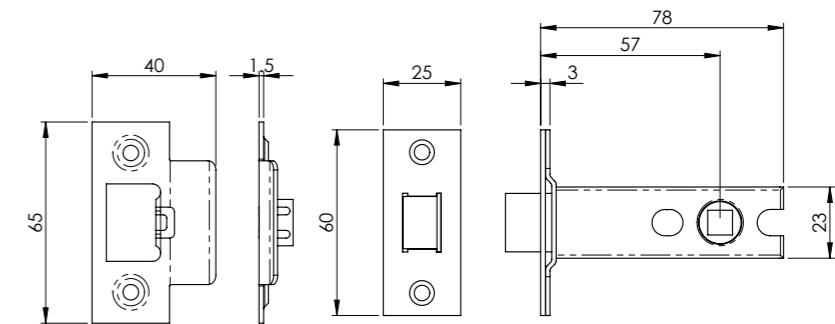


TLS8030
Heavy Sprung Tubular Latch
8mm Follower



ART5105
13mm Rebate Kit

ES1283
Intumescent Lock Pack





TLS5025EB/SSS
Heavy Sprung Tubular Latch - 8mm Follower

TLS5030EB/SSS
TLS5040EB/SSS
TLS5050EB/SSS



TLS5030BSS/SSS



TLS5030SSS



TLS5030SSS/R
Radius



TLS5030BSS/R
Radius



ART5105
13mm Rebate Kit
ES1283
Intumescent Lock Pack

FSF5009
Forend and
Strike Pack

FSF5009/R
Radius



FSF5009AB
Antique Brass



FSF5009MB
Matt Black



FSF5009MBRZ
Matt Bronze



FSF5009BSS
Bright Stainless Steel
Recommended
match for PN



FSF5009SB
Satin Brass



FSF5009SSS
Satin Stainless Steel
Recommended match
for SN



TLD5025BSS
Tubular Deadbolt - 5mm Follower



TLD5025EB/SSS



TLD5025SSS



TLD5030EB/SSS
TLD5040EB/SSS
TLD5050EB/SSS



TLD5830EB/SSS
TLD5840EB/SSS
TLD5850EB/SSS
8mm Follower



SDB5010SCP
Deadlock Budget Key & Escutcheon



FSF5010AB
Antique Brass



FSF5010MB
Matt Black



FSF5010MBRZ
Matt Bronze



FSF5010BSS
Bright Stainless Steel
Recommended
match for PN



FSF5010SB
Satin Brass



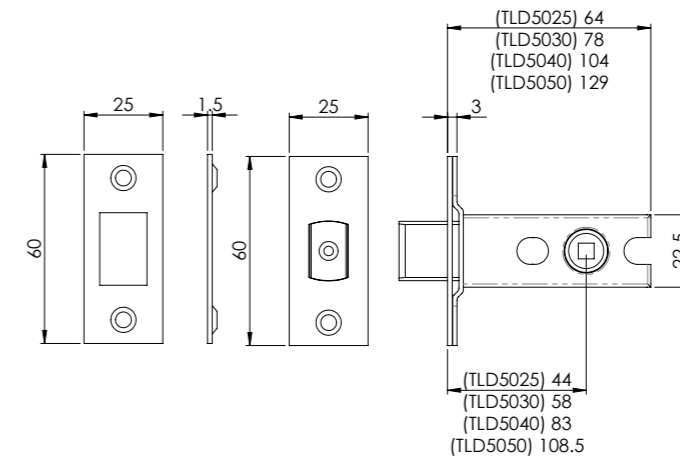
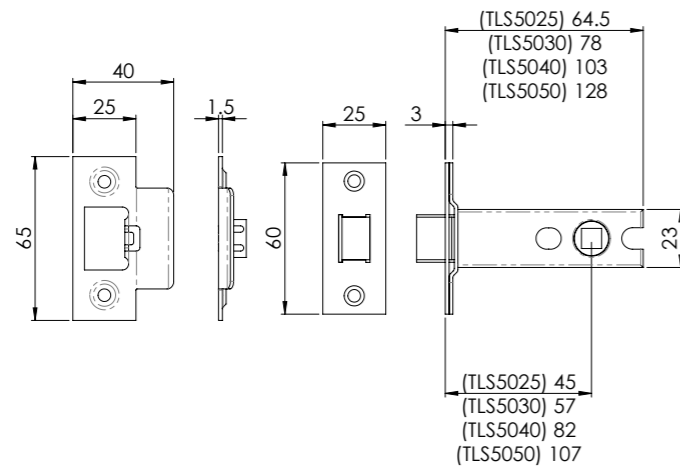
FSF5010SSS
Satin Stainless Steel
Recommended
match for SN

ES1283

Intumescent Lock Pack

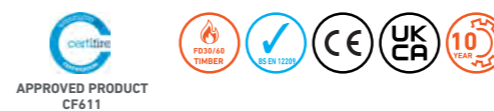
FSF5010
Forend and
Strike Pack

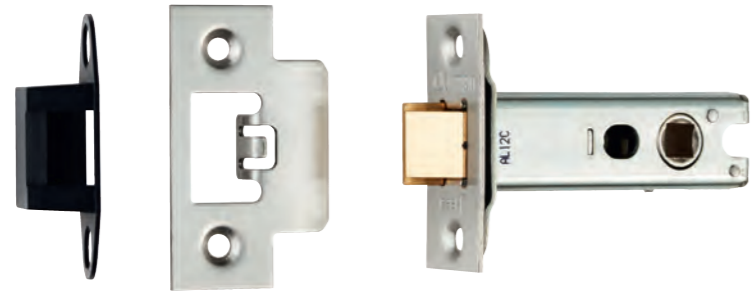
FSF5010/R
Radius



EN 12209:2003											
2812 - CPR - AG0156											
NPD	A	7	1	0	NPD	-	B	0	NPD	0	

EN 12209:2003											
2812 - CPR - AG0130											
3	H	8	1	0	F	-	B	G	0	0	





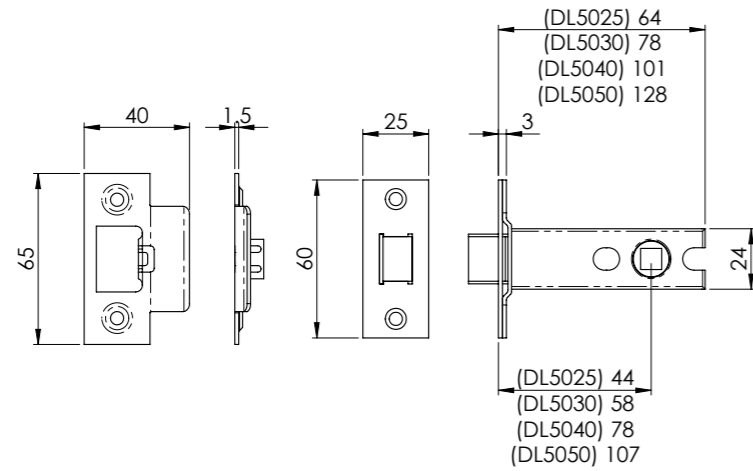
***DL5025**
DL5030
DL5040
DL5050
Heavy Sprung Tubular Latch
8mm Follower



*DL5025 does not have
a bolt through facility

ART5105
13mm Rebate Kit
ES1283
Intumescent Lock Pack

FSF5009
Forend and Strike Pack



BTL1/SQ
BTL3/SQ
Square Bolt Through
Tubular Latch
BTL1/R
BTL3/R
Radius Bolt Through
Tubular Latch



BTL2/SQ
BTL4/SQ
Square Bolt Through
Tubular Latch

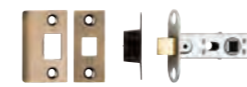
BTL2/R
BTL4/R
Radius Bolt Through
Tubular Latch



BTL25
Tubular Latch
BTL30
Tubular Latch



TL9A
13m Rebate Kit
ES1283
Intumescent Set



BTL25AB
Antique Brass



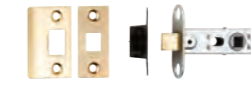
BTL25MB
Matt Black



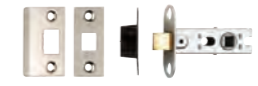
BTL25MBRZ
Matt Bronze



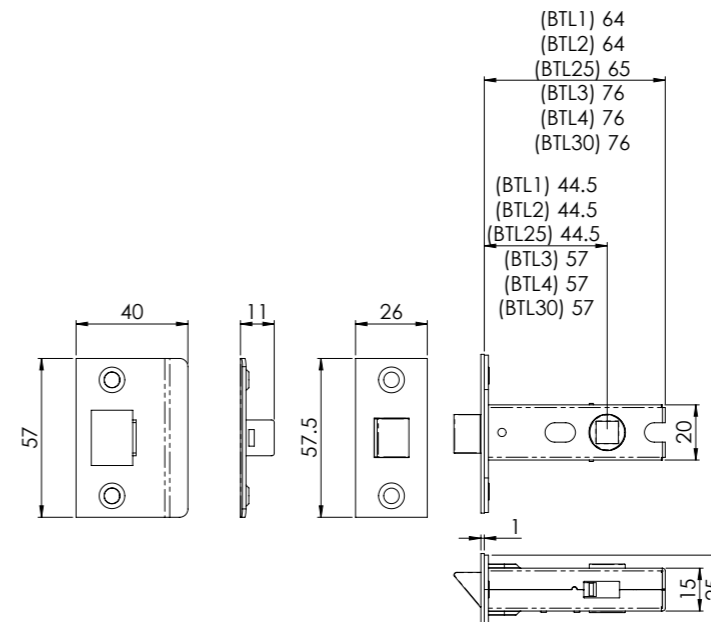
BTL25NP
Polished Nickel



BTL25SB
Satin Brass



BTL25SN
Satin Nickel

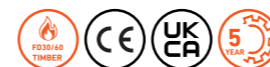
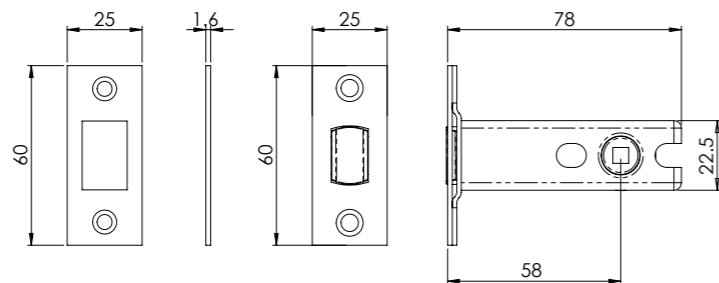


DLD5030
Tubular Dead Bolt



ES1283
Intumescent Lock Pack

FSF5010
Forend and Strike Pack



EN 12209:2003										
2812 - CPR - AG5174										
NPD	A	7	1	0	NPD	-	NPD	0	NPD	0



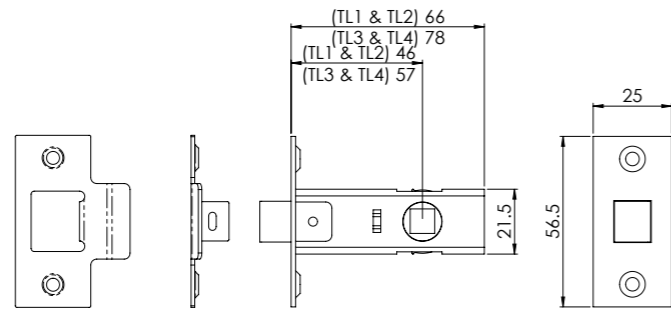
**TL1
TL3**
Tubular Latch



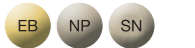
**TL2
TL4**



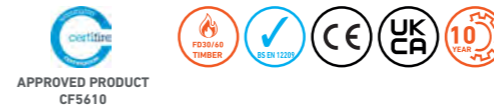
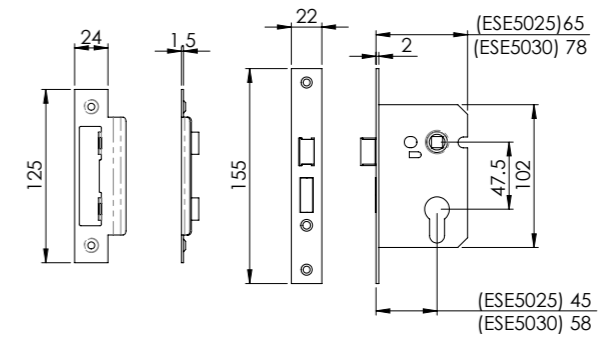
TL7A
13m Rebate Kit
ES1283
Intumescent Set



**ESE5025
ESE5030**
Euro Profile Sashlock



ARE5005
13mm Rebate Kit
ES1276
Intumescent Lock Pack



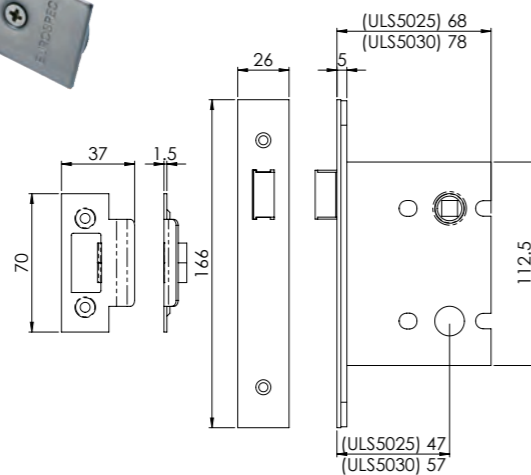
EN 12209:2003										
2812 - CPR - AG5162										
2	H	8	1	0	F	1	B	A	2	0



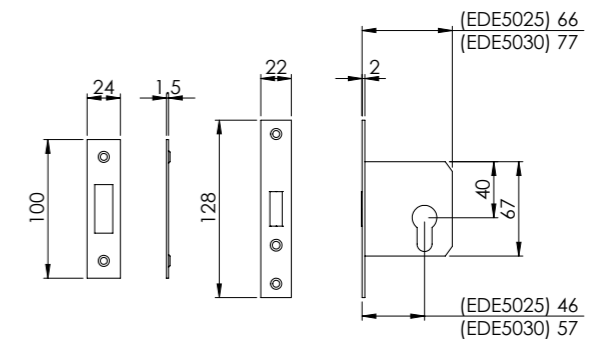
**ULS5025
ULS5030**
Upright Latch



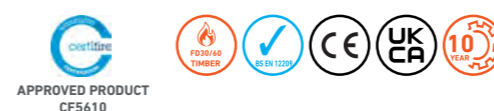
ARS5105
Rebate Kit
ES1271
Intumescent Lock Pack



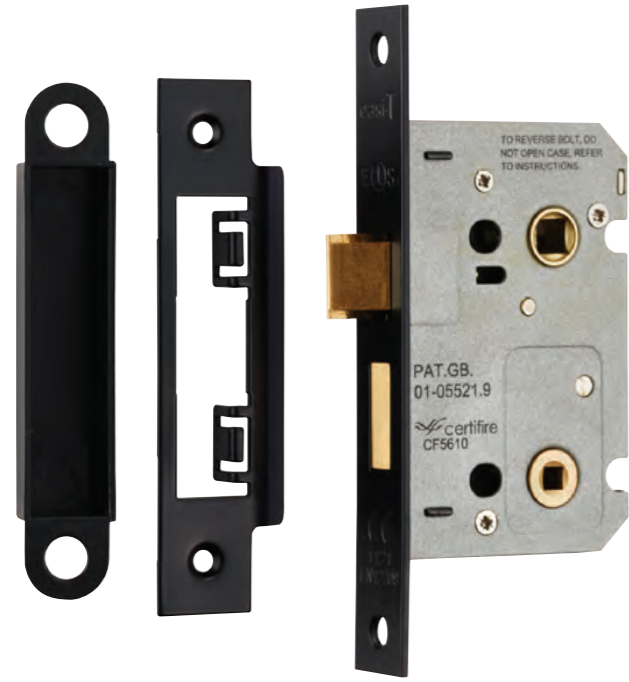
**EDE5025
EDE5030**
Euro Profile Deadlock



EN 12209:2003										
2812 - CPR - AG0137										
2	H	8	1	0	F	-	B	0	2	0



EN 12209:2003										
2812 - CPR - AG5161										
2	H	8	1	0	F	1	B	A	0	0



BAE5025
BAE5030
Bathroom Lock



BAE5025/R
BAE5030/R
Radius



ARE5005
13mm Rebate Kit
ES1276
Intumescent Lock Pack

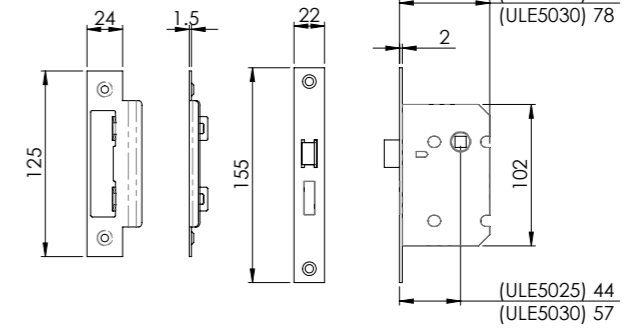


ULE5025
ULE5030
Upright Latch

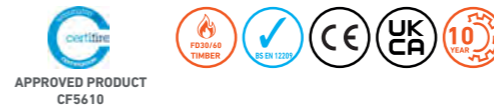


ULE5025/R
ULE5030/R
Radius

ARE5005
13mm Rebate Kit
ES1276
Intumescent Lock Pack



EN 12209:2003										
2812 - CPR - AG5162										
2	H	8	1	0	F	-	B	0	2	0



BAE5025AB
Antique Brass



BAE5025MB
Matt Black



BAE5025MBRZ
Matt Bronze



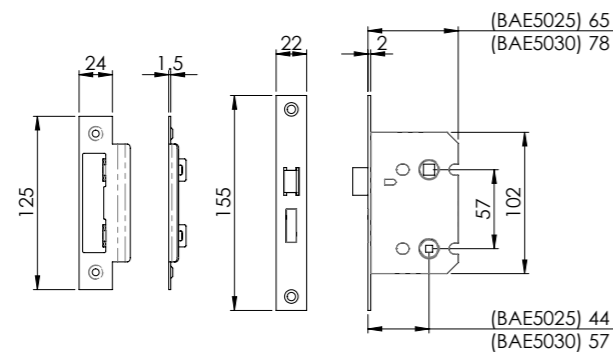
BAE5025NP
Polished Nickel



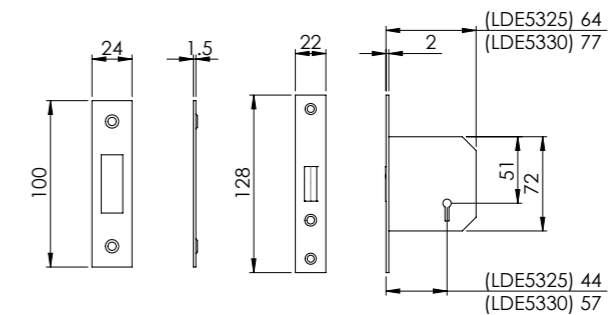
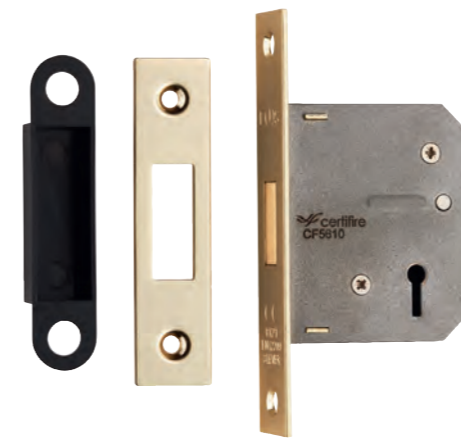
BAE5025SB
Satin Brass



BAE5025SN
Satin Nickel

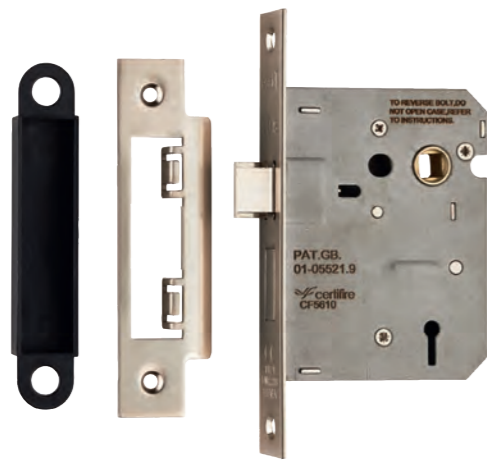


EN 12209:2003										
2812 - CPR - AG5162										
2	H	8	1	0	F	-	B	G	2	0



EN 12209:2003										
2812 - CPR - AG5161										
2	H	8	1	0	F	1	K	D	0	A





LSE5325
LSE5330
3 Lever Sashlock



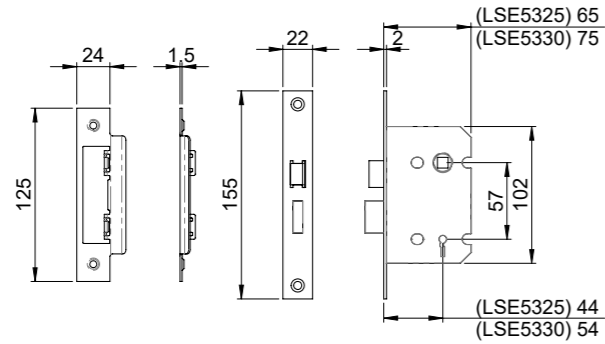
LSE5325/R
Radius



LSE5330/R



ARE5005
13mm Rebate Kit
ES1276
Intumescent Lock Pack



EN 12209:2003										
2812 - CPR - AG5162										
2	H	8	1	0	F	1	K	D	2	A



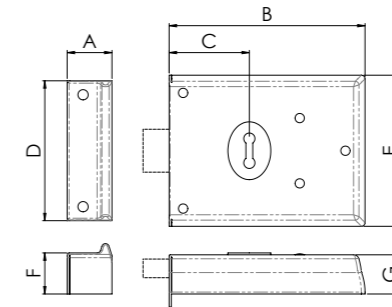
APPROVED PRODUCT
CF5610



RSE8064
Rim Lock



RDE8043
Rim Deadlock
RLE8043
Rim Latch
RSE8053
Rim Lock

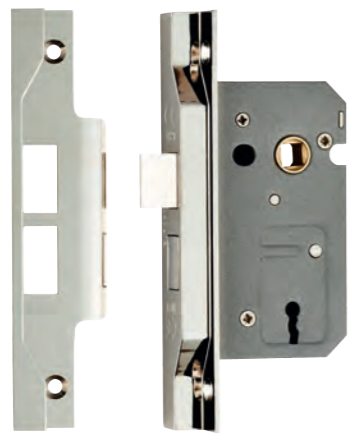


	A	B	C	D	E	F	G
RDE8043	24	155	44	76.5	82	22.5	21
RLE8043	24	101	75	76.5	82	22.5	21
RSE8053	24	145	44	76.5	82	22.5	21
RSE8064	24	155	44	76.5	105	22.5	21

EN 12209:2003										
2812 - CPR - AG0130, AG0154 & AG0153										
RDE8043	1	C	8	1	0	F	NPD	M	D	0
RLE8043	NPD	C	8	1	0	F	-	E	0	NPD
RSE8053/64	1	A	8	1	0	F	NPD	M	D	NPD



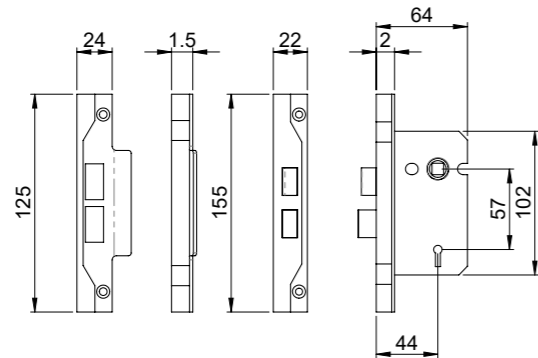
APPROVED PRODUCT
CF611



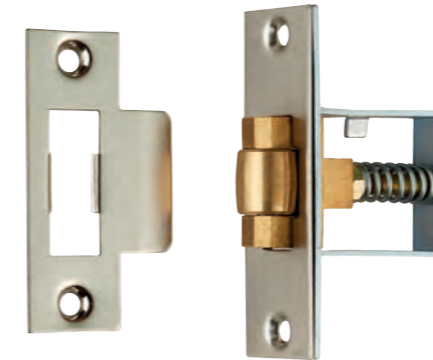
LSE5225/REB
2 Lever Sashlock Rebated



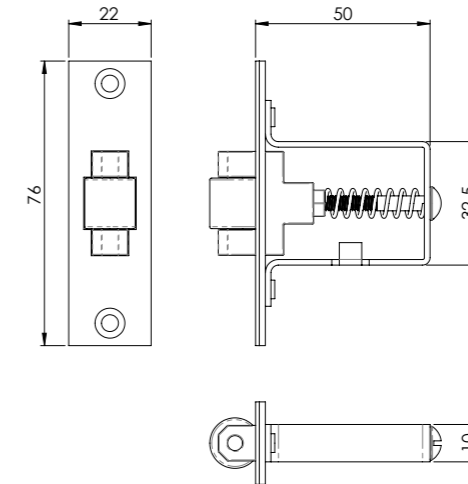
ES1271
Intumescent Lock Pack



EN 12209:2003										
2812 - CPR - AG5162										
2	H	8	1	0	F	1	K	D	2	0



RCA5511
Heavy Duty Adjustable Roller Catch



APPROVED PRODUCT
CF611



DSB8225
Door Security Bolt



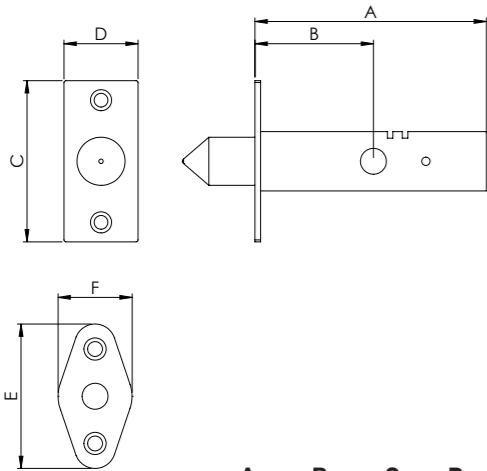
- BLACK
- EB
- PC
- SC

DSB8225L
Long

- EB
- PC
- SC

WSB8125
Window Security Bolt
36mm

- EB
- PC
- SC
- W



	A	B	C	D	E	F
DSB8225	61	32	43	20	39	20
DSB8225L	85	32	43	20	39	20



RCB8260
Rim Cylinder Rollerbolt

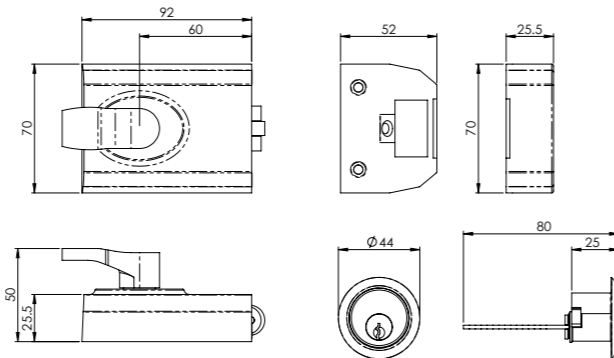


- EB
- PC
- SC

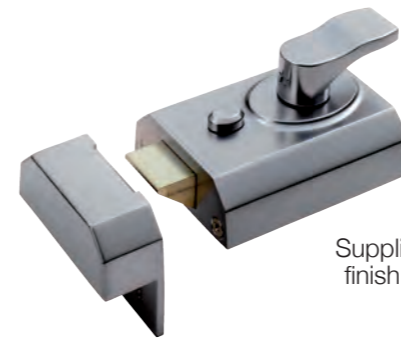
RCB8260L
Lockcase Only

- PC
- SC

Supplied with matching finish cylinder & 3 keys



RCN8260
Rim Cylinder Nightlatch

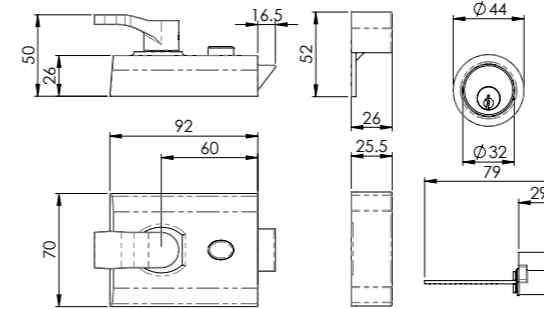


- PC
- EB
- SC

RCN8260L
Lockcase Only

- SC

Supplied with matching finish cylinder & 3 keys



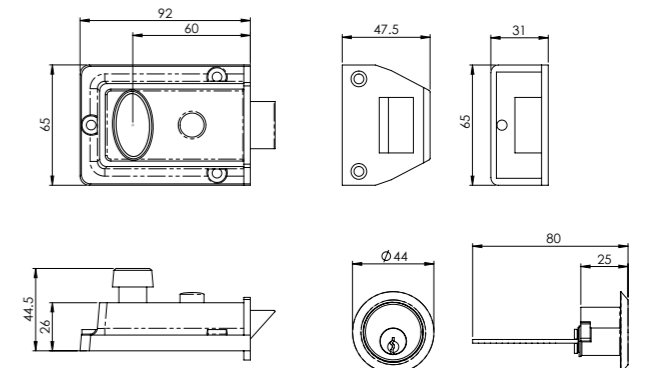
RCN8160
Rim Cylinder Nightlatch



- EB
- GN

Supplied with matching finish cylinder & 3 keys

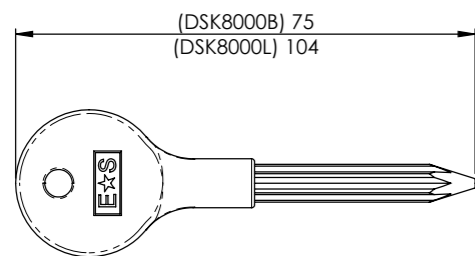
RCN8160GN/SC
Green with SC
Finish Cylinder



DSK8000B
Security Bolt Key



DSK8000L
Longer Spline



RCN8240
Rim Cylinder Nightlatch

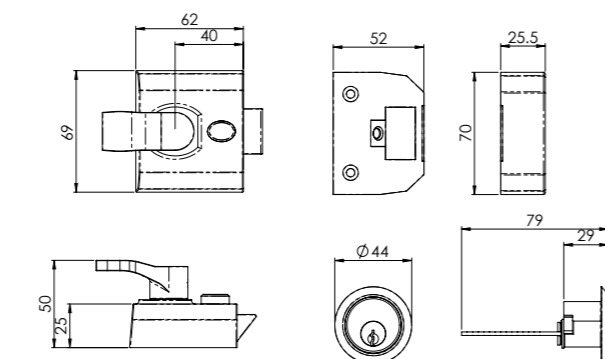


- EB
- PC
- SC

RCN8240L
Lockcase Only

- SC

Supplied with matching finish cylinder & 3 keys

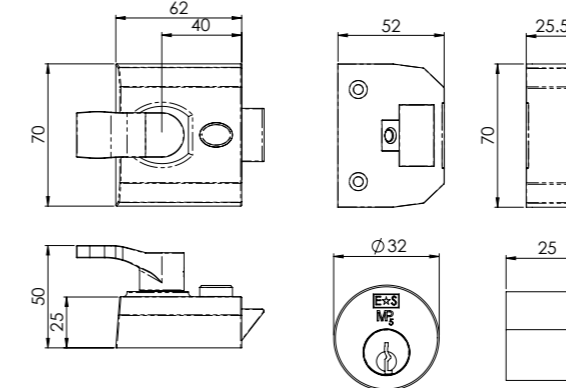


RCN8340
Deadlocking Rim Cylinder Nightlatch



- PC
- EB
- SC

Supplied with matching finish cylinder & 3 keys

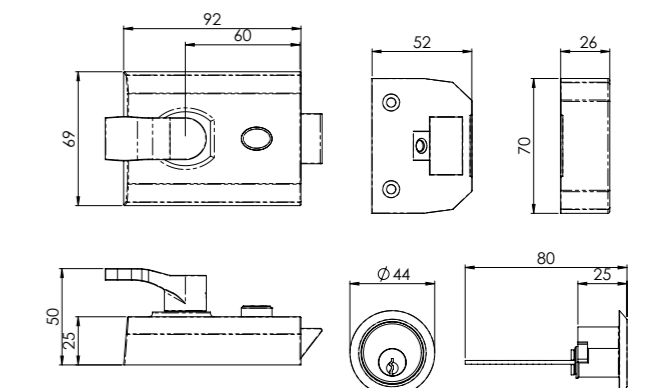


RCN8360
Deadlocking Rim Cylinder Nightlatch



- PC
- EB
- SC

Supplied with matching finish cylinder & 3 keys





New **LFB1**
FB1 Lock



AKSFB1
FB1 Lock Key

ES1275
Intumescent Lock Pack

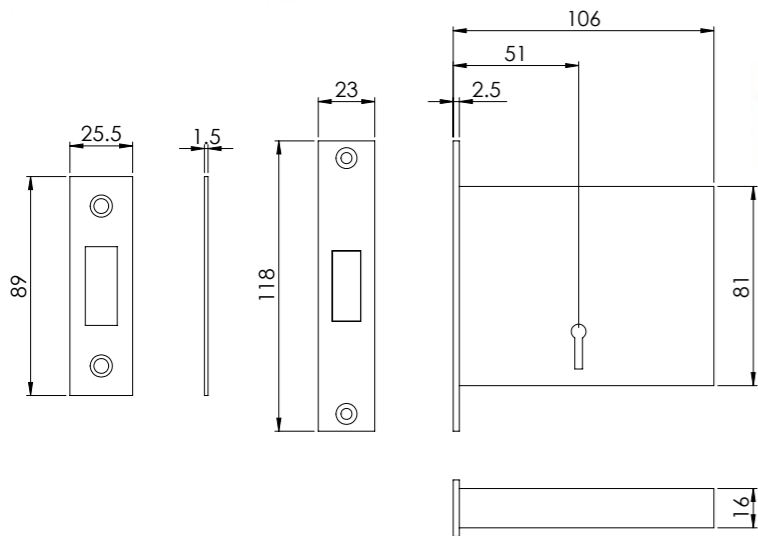


LFB2
FB2 Lock



AKSFB2
FB2 Lock Key

ES1275
Intumescent Lock Pack



A 1 lever deadlock commonly specified and used by the London and South East Fire Brigade services, whereby the Fire Brigade key will fit these Fire Brigade locks so that access can be gained without damage to the door. Generally used on service riser doors in blocks of flats and other similar utility cupboards and rooms. Can also be used around the home or office as general deadlocks which all require the same keys.



EN 12209:2003										
2812 - CPR - AG0130										
2	C	8	1	0	F	-	K	A	0	0



ESK008/SV
Combination Key Safe



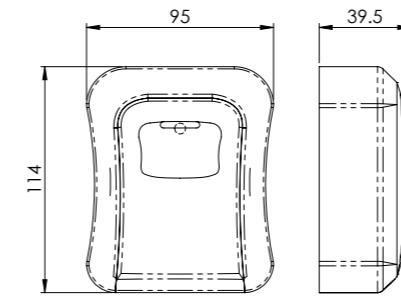
10,000 resettable combinations

Holds up to 5 keys

Protective lock cover

Weather resistant

Wall mountable



CL155SGVCB
Mechanical Digital Door Lock



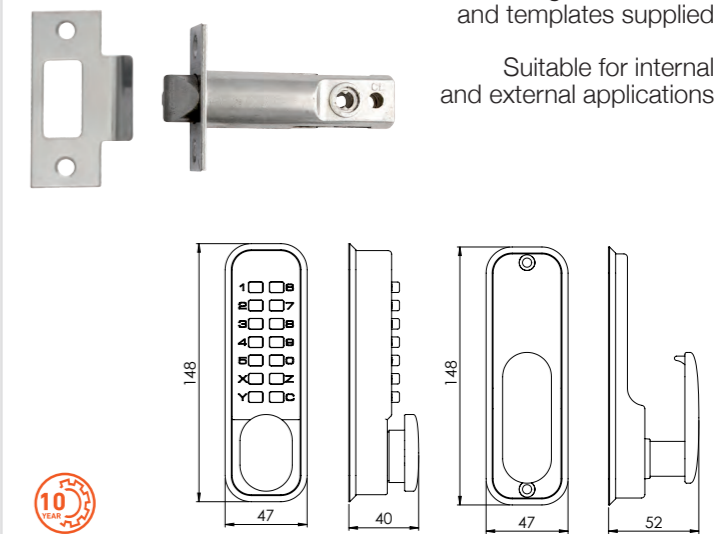
Over 8000 codes to choose from

Code can be changed in minutes

Easy to fit, no professional tools or help required

All fixings, instructions and templates supplied

Suitable for internal and external applications



Spares and Accessories

- AEB5000** Easi-T set of security escutcheons to suit Euro BS lock
- AGS5000** Easi-T architectural face plate screw
- AKE5200** Key blank to suit Easi-T 2 lever contract locks
- AKE5300/L** Key blanks Easi-T 3 lever contract locks left handed
- AKE5300/R** Key blanks Easi-T 3 lever contract locks right handed
- AKS5000B** Brass key blank for architectural lever locks
- AKS5000B/RIM** Brass key blank 106mm
- AKU5000S** Steel key blank to suit Easi-T universal mortice locks
- AMK5000** Metal box keep to suit contract Easi-T lock
- AMK5001** Metal box keep to suit contract tubular latch TLE
- AMK5002** Metal box keep to suit contract Easi-T flat latch
- AMK5003** Metal box keep to suit Easi-T architectural sashlock
- AMK5004** Metal box keep to suit Easi-T heavy duty tubular latch
- APB1000** Plastic box keep to suit contract sashlock
- APB1001** Plastic box keep to suit Easi-T heavy duty tubular latch
- APB1002** Plastic box keep to suit architectural sashlock
- ASH5000** Heavy spring to suit Easi-T architectural locks



ESK008/SV





Selecting the correct cylinder...

Please note - not all cylinders available on next day delivery.

CYH 10 Pin Restricted Cylinders High Security

- 10 Pin cylinders with restricted keys for applications that require higher key security
- Available in PB, PC, SC and MB finishes with keying options KTD, KA and UMK
- Classroom cylinders and construction key facility available with this range

CYX 6 Pin British Standard Kitemarked Cylinders - High Security

- 6 Pin, 1 Star British Standard Kitemarked cylinders in PB, PC and SC finishes for applications that require high cylinder security and ease of key duplication
- KTD, KA and UMK options available

CYA 5 Pin Architectural Cylinders Standard Security

- 5 Pin architectural cylinders in PB, PC and SC finishes for applications that require an architectural finish and the ability to key to customers specific requirements
- KTD, KA or UMK options available

CYC 5 Pin Contract Cylinders Standard Security

- 5 Pin contract cylinders in NP finish
- Spring steel inserts to enhance security in the event of an attack
- Available keyed to differ in 3 popular sizes 60mm, 70mm and 80mm

All our cylinders are manufactured to the guidelines of BS EN 1303.

Guide to BS EN 1303:2015

The security of any door assembly is a combination of many factors including the door construction and physical environment surrounding the door. However, the cylinder is probably the most vulnerable element in the assembly and is therefore subject to severe requirements of resistance to physical attack and other aspects of security such as key control.

BS EN 1303:2015 UK non-designated version of the non-harmonised European standard entitled "Building hardware. Cylinders for locks. Requirements and test methods." The standard specifies test methods and requirements to determine, category of use, durability, fire resistance, corrosion resistance, key related security, and attack resistance.

Corrosion and Temperature Resistance

Four grades of corrosion resistance and temperature requirement are identified:

- Grade 0: No corrosion requirement; no temperature requirement;
- Grade A: High corrosion resistance; no temperature requirement;
- Grade B: No corrosion requirement; temperature requirement: from -25°C to + 65°C;
- Grade C: High corrosion resistance; temperature requirement: from -25°C to + 65°C.

Note:

It shall be possible to operate the cylinder with its proper key using a maximum torque of 1,5 Nm after tested according to grade 3 (96 hrs) of EN 1670. This corrosion test shall apply to the functionality only. No distinction is made between the inside and the outside of cylinder and/or door.

It shall be possible to operate the cylinder with its proper key using a maximum torque of 1,5 Nm at both -25°C and + 65°C.

Attack Resistance

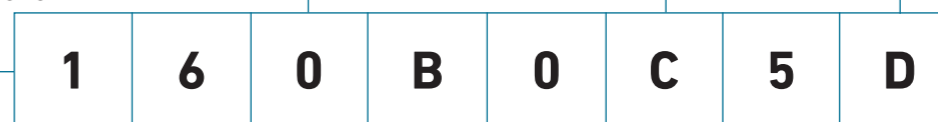
Five grades of resistance against drilling and mechanical attack are identified in accordance with Table 3

See requirement of key related security 4.8.6 a

Clause	Requirement	Test Clause	Parameter	Grade					Unit
				0	A	B	C	D	
4.9.2	Resistance to drilling	6.9.1	Time Net/Total	—	3/5	5/10	3/5	5/10	Min.
4.9.3	Resistance to attack by chisel	6.9.2	Blows	—	30	40	30	40	No
4.9.4	Resistance to attack by twisting	6.9.3	Twists	—	20	30	20	30	No
4.9.5	Resistance to attack by plug/cylinder extraction	6.9.4	Force Net/Total	—	—	—	10/5/15	15/5/15	kN min
4.9.6	Torque resistance of plug/cylinder	6.9.5	Torque	— ^a	20	30	20	30	Nm

Door Mass

No Requirement.



Category of Use

The key shall not break under the applied torque of 2,5 Nm. After the test, the key shall be capable of being removed from the cylinder and re-used to operate the same cylinder with a torque not exceeding 1,5 Nm.

Durability

Three grades are identified according to the number of test cycles achieved:
 Grade 4: 25,000 Cycles
 Grade 5: 50,000 Cycles
 Grade 6: 100,000 Cycles

Fire Resistance

Three grades of suitability for use on fire resistant/smoke controlled doors are identified:
 Grade 0: Not approved for use on fire resistant/smoke control door assemblies;
 Grade A: Suitable for use on smoke control door assemblies;
 Grade B: Suitable for use on fire resistant and smoke control doors.
 For more info see Annex A.

Safety

No requirement.

Tested before the durability test. a
 Tested before and after the durability test. b
 Rounded to the lower integer. c

Key Related Security

Six grades are identified in accordance with table 2.






Clause	Requirement	Test Clause	Parameter	Grade						Unit
				1	2	3	4	5	6	
4.8.1	Min. number of effective differs	6.8.1	—	100	300	15 000	30 000	30 000	100 000	No
4.8.2	Min. number of movable retainers	6.8.2	—	2	3	5	5	6	6	No
4.8.3	Max. number of identical steps ^c	6.8.3	—	100	70	60	60	60	50	%
	Max. number of identical adjacent steps			—	2	2	2	2	2	No
4.8.4	Direct coding on key	6.8.4	—	—	—	No	No	No	No	—
4.8.5	Operation of security mechanism (interpassing)	6.8.5	Torque	1,5 ^a	1,5 ^a	1,5 ^a	1,5 ^b	1,5 ^b	1,5 ^b	Nm
4.8.6	Torque resistance of plug/cylinder	6.8.6	Torque	2,5	5	15	15	15	15	Nm

What is TS 007:2014?

TS 007:2014 + A2:2018 is the latest Kitemarked security standard for replacement lock cylinders and protective door furniture.

Why TS 007:2014?

TS 007:2014 is a Technical Specification created for the industry in response to the growing concerns that domestic homes are under threat from attacks due to the readily available information on the internet. Your cylinder at home needs to withstand 5 types of attack:

Drilling					
Snapping	ANTI-DRILL	BREAK OFF SYSTEM	ANTI-PLUG PULL	ANTI-PICK	ANTI-BUMP
Plug Extraction					
Picking					
Bumping					

What's different in TS 007:2014?

TS 007:2014 does not cover just basic forms of cylinder attack but also includes attack testing on the protective door furniture. It uses a star rating for both the cylinder and door furniture.

What does TS 007:2014 cover?

TS 007:2014 covers all aspects of attack tests on both cylinder and handles. It provides a mix and match option of door cylinders with protective door furniture when retrofitting and it allows the locksmith or security installer to achieve the required TS 007:2014 3 star rating.

Who needs TS 007:2014?

TS 007:2014 is aimed at the retrofit market UPVC and timber door market and anybody with a basic euro profile cylinder needs it. It is designed to offer similar levels of security found in complete door assemblies rated to PAS24 and complete lock assemblies rated to PAS and BS3621, 8621 and 10621.

How do I meet TS 007:2014 requirements?

Cylinders marked with 1 star + door furniture marked with 2 stars = 3 star rating.


How can I get my TS 007:2014 products?

Simply call or email Carlisle Brass and order your 1 star kitemarked MPx6 cylinders and 2 star kitemarked handles. Should you require keyed alike or master keyed cylinder options, just call our cylinder shop with your requirements and we will do the rest. **01228 511770** workshop@carlislebrass.com



★ + ★★ = ★★★★★

  **3 STAR SECURITY**


BS EN 1303:2015
 1 6 0 B 0 C 5 D


FD30/60


TS 007:2014 + A2:2018
KM 585549

MP10 Restricted 10 Pin Cylinders

Cylinders

Manufactured to achieve BS EN 1303 cylinder security grade 2*

Anti - pick

Anti - bump

Anti - drill

BK, PB, PC or SC finish

Euro profile

UK oval profile

Scandinavian oval profile

Universal rim cylinder

Padlock

Keyed to differ (KTD)

Keyed alike (KA)

Under master key (UMK)

Classroom function available (CR)

Construction key capabilities (CK)

The construction key is used during installation, the user key is used to re-code the cylinder and automatically exclude the construction key

Other cylinder sizes available to special order



A	B	C	D	E
47	55	31	24	8
47	55	31	24	8

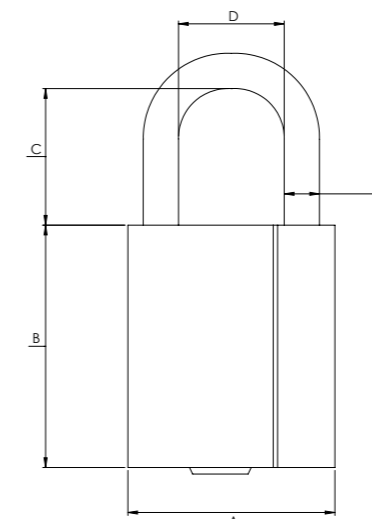
Workshop KTD
CYG7PL047SC/KD
CYG7PL047SC

KA
CYG7PL047SCKA

UMK
CYG7PL047SCUMK

Padlock
CYG7PL047SC

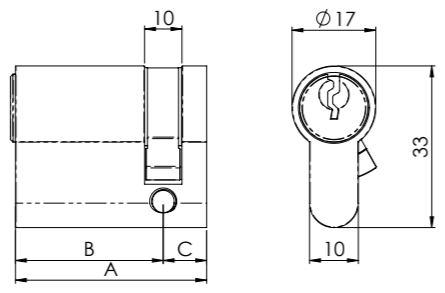
SC



A	B	C	Workshop KTD	KA	UMK
42	32	10	CYG71142/KD	CYG74142	CYG77142
46	36	10	CYG71146/KD	CYG74146	CYG77146
50	40	10	CYG71150/KD	CYG74150	CYG77150
55	45	10	CYG71155/KD	CYG74155	CYG77155



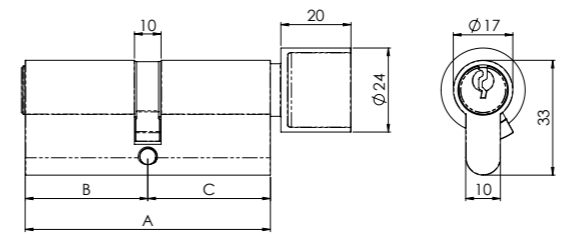
Euro Single Cylinder



KTD	A	B	C	Workshop KTD	KA	UMK
CYH71364	64	32	32	CYG71364/KD	CYG74364	CYG77364
CYH71370	70	35	35	CYG71370/KD	CYG74370	CYG77370
CYH71380	80	40	40	CYG71380/KD	CYG74380	CYG77380
	90	45	45	CYG71390/KD	CYG74390	CYG77390
	100	50	50	CYG713100/KD	CYG743100	CYG773100
	72	32	40	CYG7133240/KD	CYG7433240	CYG7733240
	80	35	45	CYG7133545/KD	CYG7433545	CYG7733545
	72	40	32	CYG7134032/KD	CYG7434032	CYG7734032
	90	40	50	CYG7134050/KD	CYG7434050	CYG7734050
	100	40	60	CYG7134060/KD	CYG7434060	CYG7734060
	80	45	35	CYG7134535/KD	CYG7434535	CYG7734535
	95	45	50	CYG7134550/KD	CYG7434550	CYG7734550
	100	45	55	CYG7134555/KD	CYG7434555	CYG7734555
	90	50	40	CYG7135040/KD	CYG7435040	CYG7735040
	95	50	45	CYG7135045/KD	CYG7435045	CYG7735045
	100	55	45	CYG7135545/KD	CYG7435545	CYG7735545
	100	60	40	CYG7136040/KD	CYG7436040	CYG7736040



Euro Cylinder & Turn

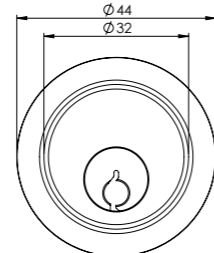
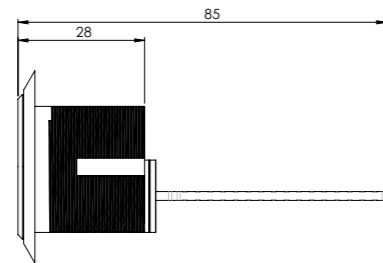


Workshop KTD
CYG73525/KD

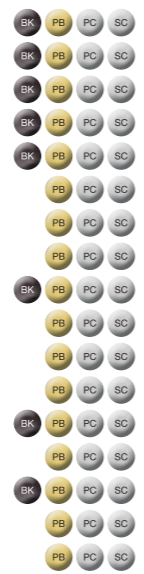
KA
CYG76525

UMK
CYG79525

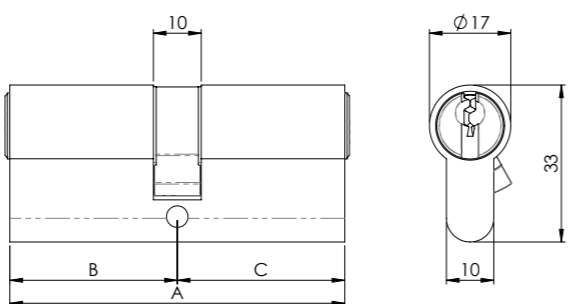
Universal Rim Cylinder



KTD	A	B	C	Workshop KTD	KA	UMK
CYH71264	64	32	32	CYG71264/KD	CYG74264	CYG77264
CYH71270	70	35	35	CYG71270/KD	CYG74270	CYG77270
CYH71280	80	40	40	CYG71280/KD	CYG74280	CYG77280
	90	45	45	CYG71290/KD	CYG74290	CYG77290
	100	50	50	CYG712100/KD	CYG742100	CYG772100
	72	32	40	CYG7123240/KD	CYG7423240	CYG7723240
	82	32	50	CYG7123250/KD	CYG7423250	CYG7723250
	75	35	40	CYG7123540/KD	CYG7423540	CYG7723540
	80	40	40	CYG7123545/KD	CYG7423545	CYG7723545
	85	35	50	CYG7123550/KD	CYG7423550	CYG7723550
	90	35	55	CYG7123555/KD	CYG7423555	CYG7723555
	85	40	45	CYG7124045/KD	CYG7424045	CYG7724045
	90	40	50	CYG7124050/KD	CYG7424050	CYG7724050
	95	40	55	CYG7124055/KD	CYG7424055	CYG7724055
	100	40	60	CYG7124060/KD	CYG7424060	CYG7724060
	95	45	50	CYG7124550/KD	CYG7424550	CYG7724550
	100	45	55	CYG7124555/KD	CYG7424555	CYG7724555



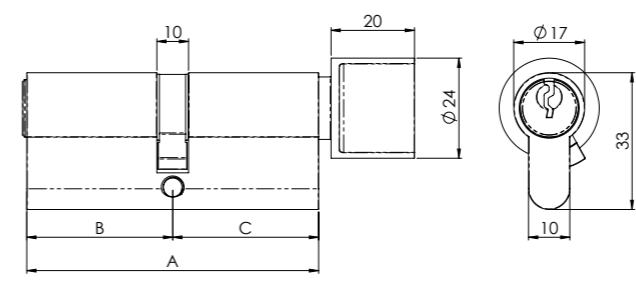
Euro Double Cylinder



A	B	C	Workshop KTD	KA	UMK
70	35	35	CYG71370CR/KD	CYG74370CR	CYG77370CR
80	40	40	CYG71380CR/KD	CYG74380CR	CYG77380CR



Classroom Cylinder



The Eurospec 10 Pin classroom cylinders have been designed to provide a simple and effective solution to classroom applications and can be ordered in 70mm or 80mm.

The main function of the classroom cylinder is to allow the key holder to lock or unlock the door at all times but allow a pupil to unlock the door from the inside in an emergency situation. The standard safety feature will ensure the door cannot be locked from the inside and the internal clutch mechanism will ensure a pupil cannot prevent a key holder from entering the room.

All classroom cylinders can be ordered keyed to differ, keyed alike or part of a master keyed system. The classroom cylinders can be ordered as (RH) clockwise or (LH) anti-clockwise unlocking to suit the door handing and in the unlikely event that the cylinder needs to be changed, a simple instruction sheet is included with each cylinder. A range of alternative thumbturns are also available.





MPx6 BS Kitemarked 6 Pin Cylinders 1 Star Rated

Cylinders - Packaged in Blister Pack

BS Kitemarked KM 585549

BS EN 1303 cylinder security - grade 2 (Maximum grade)

TS 007:2014 + A2:2018 - 1 Star

Anti - pick

Anti - bump

Anti - drill

Anti - plug pull

Anti - twist

Break - off system

Internal hardened steel pins

PB, PC or SC finish

Euro profile

Standard rim cylinder

Threaded rim cylinder

Keyed to differ (KTD)

Keyed alike (KA)

Under master key (UMK)

N.B. Master keyed cylinders retain the kitemark status

Other cylinder sizes available to special order

Secured by Design (certain cylinders)

Keys

Hard wearing nickel silver keys

Large master keying capabilities (systems up to 1,000 doors)

Standard key section for ease of key duplication

Extended neck for use with security escutcheons

3 keys supplied with each cylinder

BS EN 1303 key security - grade 5

Secured by Design



Official Police Security Initiative

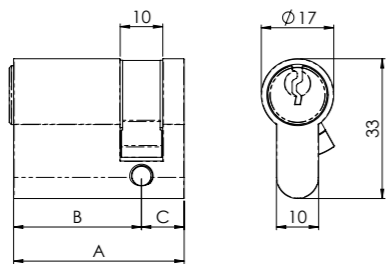


**TS 007:2014 +A2:2018
KM 585549**



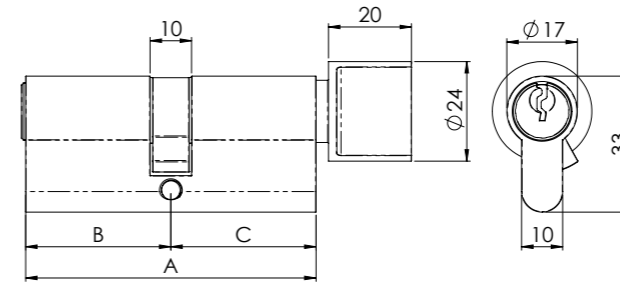
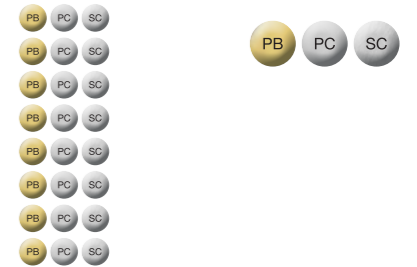
A	B	C	Workshop KTD	KA	UMK
46	36	10	CYF71146	CYF74146	CYF77146
50	40	10	CYF71150	CYF74150	CYF77150

Euro Single Cylinder



KTD	A	B	C	Workshop KTD	KA	UMK
CYX71370	70	35	35	CYF71370	CYF74370	CYF77370
CYX71380	80	40	40	CYF71380	CYF74380	CYF77380
CYX71390	90	45	45	CYF71390	CYF74390	CYF77390
CYX713100	100	50	50	CYF713100	CYF743100	CYF773100
CYX7133545	80	35	45	CYF7133545	CYF7433545	CYF7733545
CYX7134060	100	40	60	CYF7134060	CYF7434060	CYF7734060
CYX7134535	80	45	35	CYF7134535	CYF7434535	CYF7734535
CYX7136040	100	60	40	CYF7136040	CYF7436040	CYF7736040

Euro Cylinder & Turn



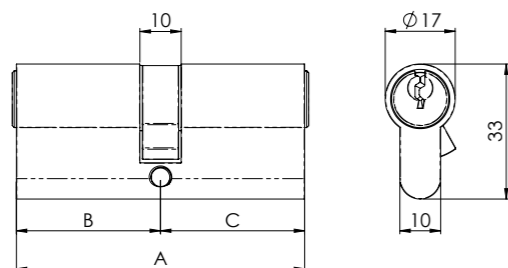
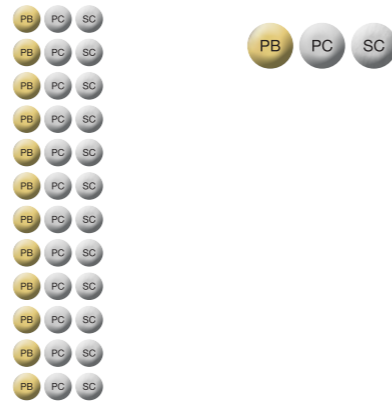
EN 1303:2015									
KM 585549 for TS 007:2014 + A2:2018									
1	6	0	B	0	C	5	D		



EN 1303:2015									
KM 585549 for TS 007:2014 + A2:2018									
1	6	0	B	0	C	5	D		

KTD	A	B	C	Workshop KTD	KA	UMK
CYX71270	70	35	35	CYF71270	CYF74270	CYF77270
CYX71280	80	40	40	CYF71280	CYF74280	CYF77280
CYX71290	90	45	45	CYF71290	CYF74290	CYF77290
CYX712100	100	50	50	CYF712100	CYF742100	CYF772100
CYX712110	110	55	55	CYF712110	CYF742110	CYF772110
CYX7123540	75	35	40	CYF7123540	CYF7423540	CYF7723540
CYX7123545	80	35	45	CYF7123545	CYF7423545	CYF7723545
CYX7123550	85	35	50	CYF7123550	CYF7423550	CYF7723550
CYX7124045	85	40	45	CYF7124045	CYF7424045	CYF7724045
CYX7124050	90	40	50	CYF7124050	CYF7424050	CYF7724050
CYX7124060	100	40	60	CYF7124060	CYF7424060	CYF7724060
CYX7124550	95	45	50	CYF7124550	CYF7424550	CYF7724550

Euro Double Cylinder



Threaded Rim Cylinder

KTD CYF73624
KA CYF76624
UMK CYF79624

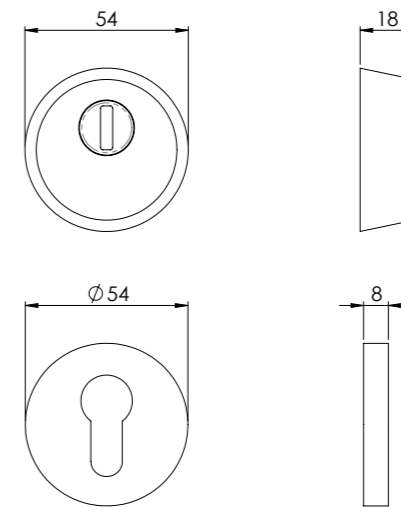
Standard Rim Cylinder

KTD CYF73524
KA CYF76524
UMK CYF79524



EN 1303:2015									
KM 585549 for TS 007:2014 + A2:2018									
1	6	0	B	0	C	5	D		

AEB1750
2 Star Security Escutcheon



EN 1906:2012							
KM 585549 for TS 007:2014 + A2:2018							
1	6	-	B	-	3	-	-



CYA70470SC

MP5 5 Pin Cylinders



- 3 keys per cylinder
- Open section keys
- Brass keys (nickel plated)
- BK, PB, PC, SB or SC finish
- Euro profile
- UK oval profile
- Standard rim cylinder
- Threaded rim cylinder
- Padlock
- Keyed to differ (KTD)
- Keyed alike (KA)
- Under master key (UMK)
- Unique master keying
- Other cylinder sizes available to special order
- Classroom available 70 + 80mm

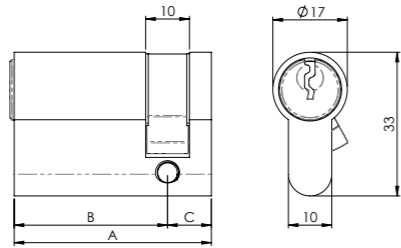
Architectural

- ✓
- ✓
- ✓
- ✓
- ✓
- ✓
- ✓
- ✓
- ✓
- ✓
- ✓
- ✓
- ✓
- ✓
- ✓
- ✓

Euro Single Cylinder



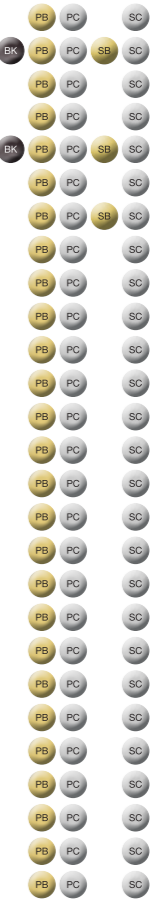
KTD	A	B	C	Workshop KTD	KA	UMK
CYA71140	40	30		CYB71140/KD	CYB74140	CYB77140
CYA71145	45	35		CYB71145/KD	CYB74145	CYB77145
CYA71150	50	40		CYB71150/KD	CYB74150	CYB77150
	55	45		CYB71155/KD	CYB74155	CYB77155
	60	50		CYB71160/KD	CYB74160	CYB77160
	65	55		CYB71165/KD	CYB74165	CYB77165
	70	60		CYB71170/KD	CYB74170	CYB77170
	75	65		CYB71175/KD	CYB74175	CYB77175



Euro Cylinder & Turn



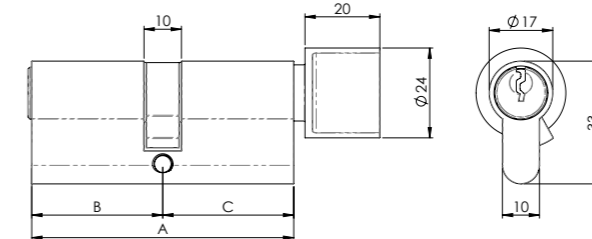
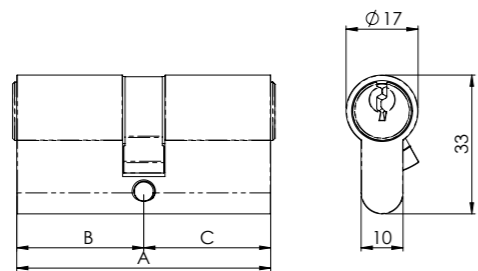
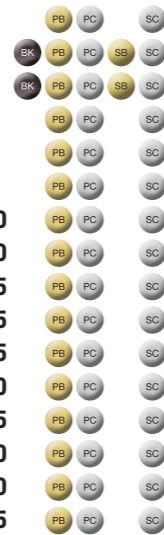
KTD	A	B	C	Workshop KTD	KA	UMK
CYA71360	60	30	30	CYB71360/KD	CYB74360	CYB77360
CYA71370	70	35	35	CYB71370/KD	CYB74370	CYB77370
	70	35	35	CYB71370CR/KD	CYB74370CR	CYB77370CR
	100	70	30	CYB7137030/KD	CYB7437030	CYB7737030
CYA71380	80	40	40	CYB71380/KD	CYB74380	CYB77380
	80	40	40	CYB71380CR/KD	CYB74380CR	CYB77380CR
CYA71390	90	45	45	CYB71390/KD	CYB74390	CYB77390
CYA713100	100	50	50	CYB713100/KD	CYB743100	CYB773100
	110	55	55	CYB713110/KD	CYB743110	CYB773110
	70	30	40	CYB7133040/KD	CYB7433040	CYB7733040
	80	30	50	CYB7133050/KD	CYB7433050	CYB773050
	100	30	70	CYB7133070/KD	CYB7433070	CYB7733070
	75	35	40	CYB7133540/KD	CYB7433540	CYB7733540
	80	35	45	CYB7133545/KD	CYB7433545	CYB7733545
	90	35	55	CYB7133555/KD	CYB7433555	CYB7733555
CYA7134030	70	40	30	CYB7134030/KD	CYB7434030	CYB7734030
	75	40	35	CYB7134035/KD	CYB7434035	CYB7734035
	85	40	45	CYB7134045/KD	CYB7434045	CYB7734045
	90	40	50	CYB7134050/KD	CYB7434050	CYB7734050
CYA7134535	80	45	35	CYB7134535/KD	CYB7434535	CYB7734535
	85	45	40	CYB7134540/KD	CYB7434540	CYB7734540
	80	50	30	CYB7135030/KD	CYB7435030	CYB7735030
	90	50	40	CYB7135040/KD	CYB7435040	CYB7735040
	90	55	35	CYB7135535/KD	CYB7435535	CYB7735535
	100	55	45	CYB7135545/KD	CYB7435545	CYB7735545
CYA7134060	100	40	60	CYB7134060/KD	CYB7434060	CYB7734060
CYA7136040	100	60	40	CYB7136040/KD	CYB7436040	CYB7736040



Euro Double Cylinder



KTD	A	B	C	Workshop KTD	KA	UMK
CYA71260	60	30	30	CYB71260/KD	CYB74260	CYB77260
CYA71270	70	35	35	CYB71270/KD	CYB74270	CYB77270
CYA71280	80	40	40	CYB71280/KD	CYB74280	CYB77280
CYA71290	90	45	45	CYB71290/KD	CYB74290	CYB77290
CYA712100	100	50	50	CYB712100/KD	CYB742100	CYB772100
	110	55	55	CYB712110KD	CYB742110	CYB772110
CYA7123050	80	30	50	CYB7123050/KD	CYB7423050	CYB7723050
	100	30	70	CYB7123070/KD	CYB7423070	CYB7723070
CYA7123545	80	35	45	CYB7123545/KD	CYB7423545	CYB7723545
	90	35	55	CYB7123555/KD	CYB7423555	CYB7723555
	85	40	45	CYB7124045/KD	CYB7424045	CYB7724045
CYA7124050	90	40	50	CYB7124050/KD	CYB7424050	CYB7724050
	95	40	55	CYB7124055/KD	CYB7424055	CYB7724055
CYA7124060	100	40	60	CYB7124060/KD	CYB7424060	CYB7724060
CYA7124550	95	45	50	CYB7124550/KD	CYB7424550	CYB7724550
	100	45	55	CYB7124555/KD	CYB7424555	CYB7724555





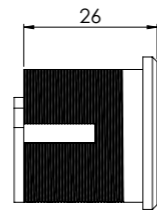
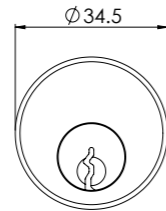
Workshop KTD
CYB73620/KD

KA
CYB76620

UMK
CYB79620

Threaded Rim Cylinder

PB PC SC



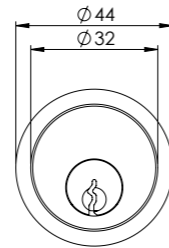
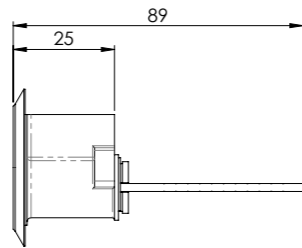
Workshop KTD
CYB73520/KD

KA
CYB76520

UMK
CYB79520

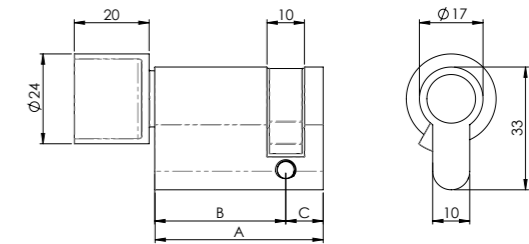
Standard Rim Cylinder

PB PC SC



Euro Single Thumbturn Only

PB PC SB SC

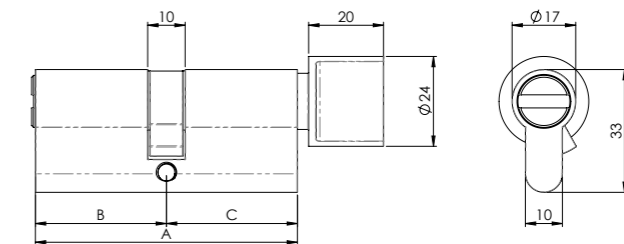


KTD	A	B	C
CYA70445	45	35	10



Euro Bathroom Cylinder & Turn

PB PC SB SC

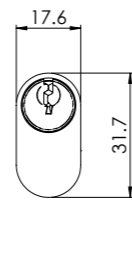
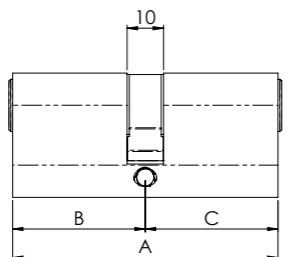


KTD	A	B	C
CYA70470	70	35	35



Oval Double Cylinder

PB SC

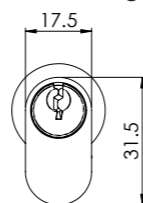
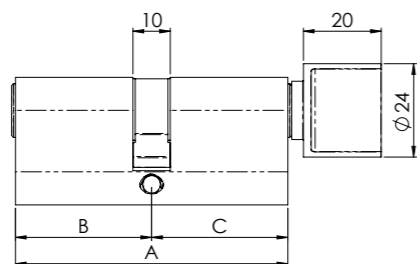


KTD	A	B	C	KA	UMK
CYA72270	70	35	35	CYB75270	CYB78270



Oval Cylinder & Turn

SC



KTD	A	B	C	KA	UMK
CYA72370	70	35	35	CYB75370	CYB78370





Contract 5 Pin Cylinders

Cylinders

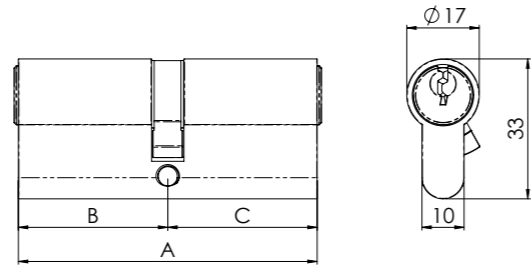
- 5 pin mechanism
- Spring steel inserts for enhanced protection against attack
- 3 keys per cylinder
- NP finish
- Euro profile
- Keyed to differ



Keys

- Open key section
- Standard round headed keys





Euro Double Cylinder

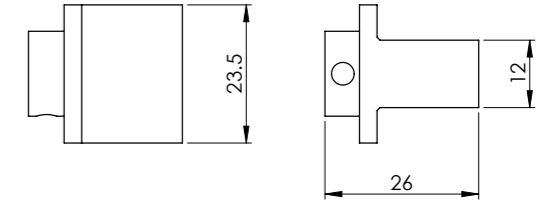
NP

KTD	A	B	C
CYC71260	60	30	30
CYC71270	70	35	35
CYC71280	80	40	40



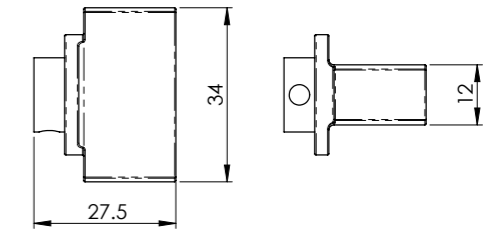
CYZ70006
Standard Thumbturn

PB PC SC



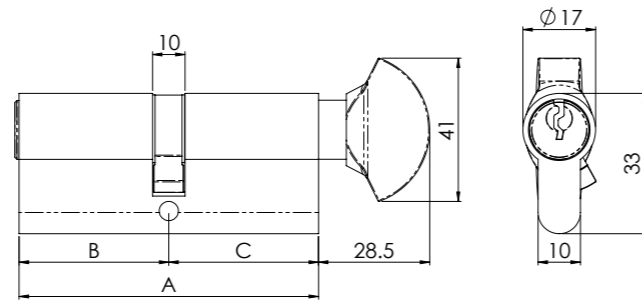
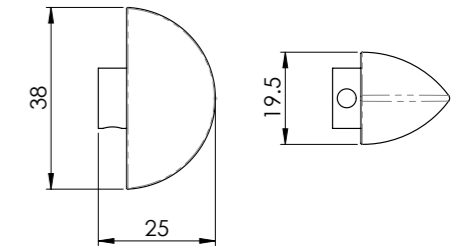
CYZ70007
Large Thumbturn

BK PB PC SC



CYZ70008
Round Thumbturn

BK PB PC SC



Euro Cylinder & Turn

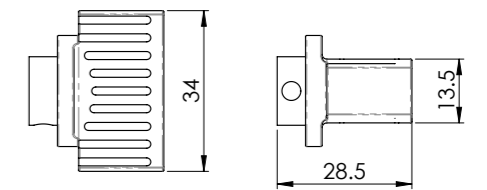
NP

KTD	A	B	C
CYC71360	60	30	30
CYC71370	70	35	35
CYC71380	80	40	40



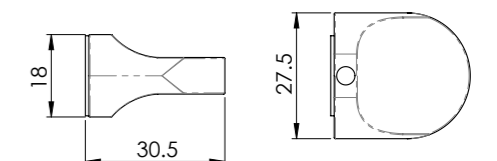
CYZ70009
Large Thumbturn with Grip

BK PB PC SC



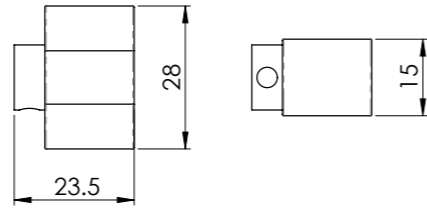
CYZ70011
Tall Semi-Circular Thumbturn

BK PB PC SC





CYZ70012
Peanut Shaped Thumbturn



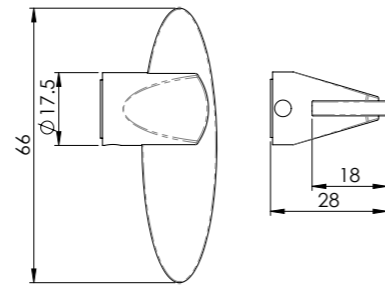
CYZ75061
Spare cam for 10 pin rim cylinder



CYZ70060
Tail for 5/6 pin rim cylinder



CYZ70016
Shaped Disabled Thumbturn



CYZ75060
Tail for 10 pin rim cylinder



CYZ7500NS
10 Pin Differ Key

CYZ7500NS
10 Pin Stocksuite Master Key



CYZ78001NS
MPx6 6 Pin Cylinder Keyblank



CYZ70001/6
6 Pin Cylinder Keyblank to suit British Standard Cylinder Locks



CYZ70002
19mm key ring



CYZ70004
M5x65mm fixing screw for profile cylinders



CYZ70001
5 Pin Cylinder Keyblank



CYZ74001
5 Pin Cylinder Keyblank - Contract

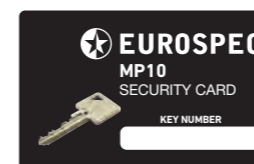


CYZ70000
5 Pin Stock Suite Master Key

CYZ70040
Fixing screw for rim cylinders



CYZ70050
Steel backplate for rim cylinder



Security Cards are supplied with new MK suites.

This security card is retained by the owner of the cylinder or master key system and must be produced to the distributor with any orders for additional keys or cylinders.

The owner card contains either the key number or master key system reference number in addition to all distributor details.

 Assorted types to suit varying tastes and requirements

 Including combination, water-proof and armoured padlocks



CYPLB3080SS/BP

Brass Padlocks

- ★ Hardened steel shackle
- ★ Double locking shackle
- ★ Solid brass body
- ★ Supplied with 3 brass keys
- ★ Available keyed alike
- ★ Master keyed options

ABS Waterproof Padlocks

- ★ Suitable for external use
- ★ Hardened steel shackle
- ★ Double locking shackle
- ★ ABS thermoplastic shell
- ★ Supplied with 3 brass keys
- ★ Available keyed alike in pairs

Armoured Shutter Padlock

- ★ Suitable for external use
- ★ Hardened steel rolling shackle
- ★ Double locking shackle
- ★ Zinc plated steel clad brass body
- ★ Supplied with 3 brass keys
- ★ Keyed alike options

Combination Padlocks

- ★ Ideal for lockers or luggage
- ★ Chrome plated shackle
- ★ Solid brass body
- ★ Simple to use resettable combinations

Laminated Steel Padlocks

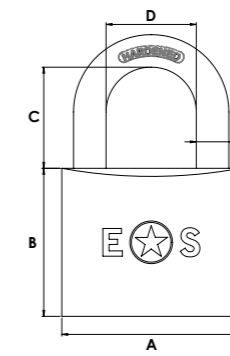
- ★ Hardened steel shackle
- ★ Double locking shackle
- ★ Zinc plate laminated steel body
- ★ Supplied with 3 brass keys
- ★ Available keyed alike in pairs

Stainless Steel Padlocks

- ★ External use
- ★ Hardened steel shackle
- ★ Double locking shackle
- ★ Weather resistant stainless steel body
- ★ Supplied with 3 brass keys

Heavy Duty Security Padlock

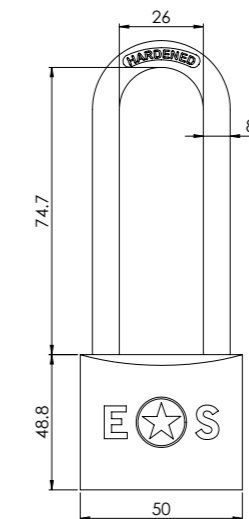
- ★ ABS covered steel body
- ★ 11mm hardened steel shackle
- ★ Pick, drill and bump resistant
- ★ Removable shackle
- ★ Supplied with 3 high security keys



Brass Padlock - Standard Shackle

SB

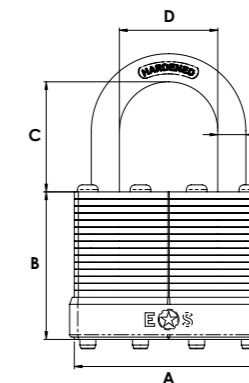
	A	B	C	D	E	Grade	Pack Qty
Blister Packed to Differ							
CYPL1040SB/BP	38	31.3	21.8	19.5	6.3	3	1
CYPL1050SB/BP	50	40.8	29	26	8.9	3	1
Blister Packed Keyed Alike							
CYPL1450SB/BP	50	40.8	29	26	8.9	3	2



Brass Padlock - Long Shackle

SB

	A	B	C	D	E	Grade	Pack Qty
Blister Packed to Differ							
CYPL1051SB/BP	50	48.8	74.7	26	8.9	3	1

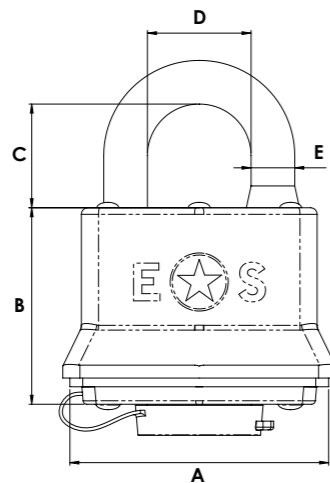


Laminated Steel Padlock - Standard Shackle

ZP

	A	B	C	D	E	Grade	Pack Qty
Blister Packed to Differ							
CYPL2040BZP/BP	40	33	24	20.5	6.1	2	1
CYPL2050BZP/BP	50	37.5	27.5	24.5	8.8	3	1

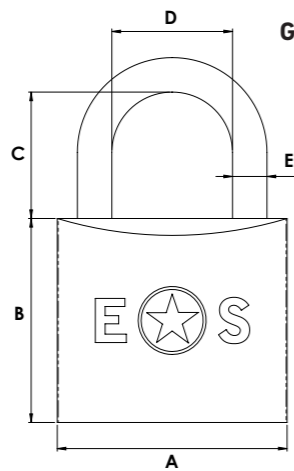




ABS Waterproof Padlock - Standard Shackle

ABS

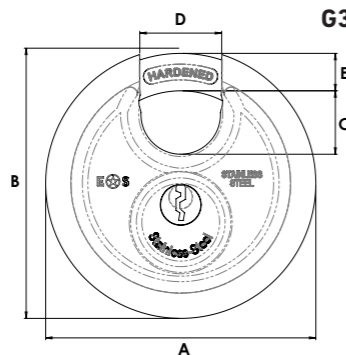
Blister Packed to Differ	A	B	C	D	E	Grade	Pack Qty
CYPL2050ABS/BP	59	44	23	22.5	10.5	4	1



G304 Stainless Steel Padlock - Standard Shackle

SSS

Blister Packed to Differ	A	B	C	D	E	Grade	Pack Qty
CYPL3030SSS/BP	30	29	18	15	5	4	1
CYPL3040SSS/BP	40	35	22	21	6	4	1
CYPL3050SSS/BP	50	43	28	26	8	5	1
CYPL3060SSS/BP	60	52	34	31	10	5	1



G304 Stainless Steel Padlock - Closed Shackle

SSS

Blister Packed to Differ	A	B	C	D	E	Grade	Pack Qty
CYPLD3070SS/BP	70	70	18	22	9.5	5	1



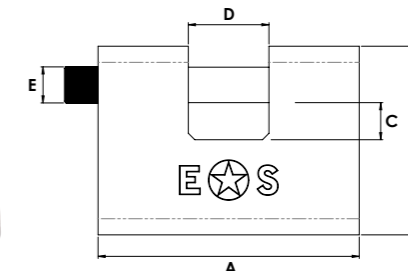
CYPLD3070SS/BP



CYPLA65SC



Armoured Steel Brass Padlock - Closed Shackle

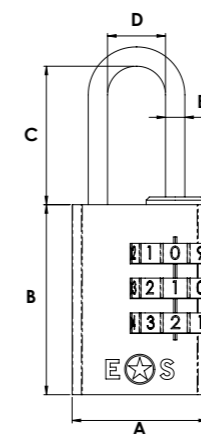


SS

Blister Packed to Differ	A	B	C	D	E	Grade	Pack Qty
CYPLB3080SS/BP	80	58	25	30	11	5	1



Combination Padlock - Side Wheel

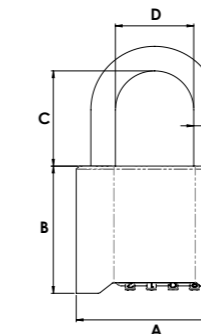


SB

Blister Packed	A	B	C	D	E	Grade	Pack Qty
CYPLC1030SB/BP	28.5	41.2	26.8	12.4	5	2	1



Heavy Duty Combination Padlock - Bottom Wheel

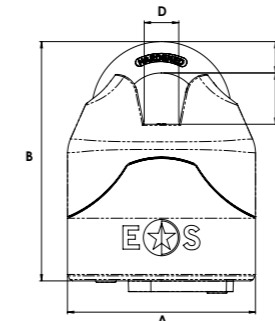


SB

Blister Packed	A	B	C	D	E	Grade	Pack Qty
CYPLC1050SB/BP	52.8	41.4	29.7	25.5	7.9	3	1



65mm Heavy Duty Security Padlock - Closed Shackle



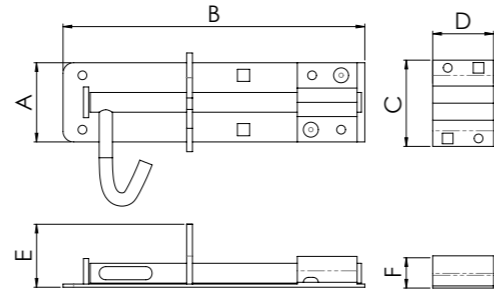
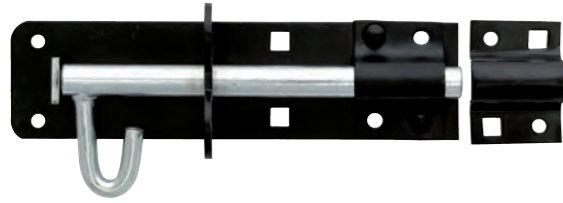
SC

Carded	A	B	C	D	E	Grade	Pack Qty
CYPLA65SC	65	80	19	16	11	5	1





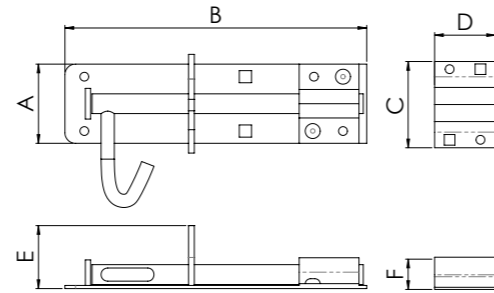
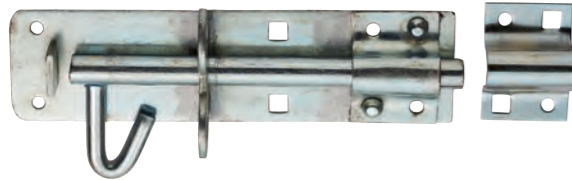
IPB150EXB/BP
Brenton Padbolt 150mm
IPB200EXB/BP
Brenton Padbolt 200mm



	A	B	C	D	E	F
IPB150	45	173	48	32	35	16
IPB200	45	224	48	32	35	16



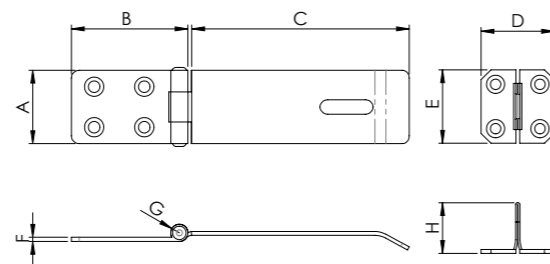
IPB100BZP/BP
Brenton Padbolt 100mm
IPB150BZP/BP
Brenton Padbolt 150mm
IPB200BZP/BP
Brenton Padbolt 200mm



	A	B	C	D	E	F
IPB100	45	122	48	32	35	16
IPB150	45	173	48	32	35	16
IPB200	45	224	48	32	35	16



ISH076BZP/BP
Safety Hasp 3"
ISH114BZP/BP
Safety Hasp 4.5"
ISH150BZP/BP
Safety Hasp 6"







	A	B	C	D	E	F	G	H
ISH076	30	26	76	30	29	2	9	26
ISH114	38	58	114	40	38	2	9	26
ISH150	38	58	150	40	38	2	9	26

UTILITYEUROSEAL






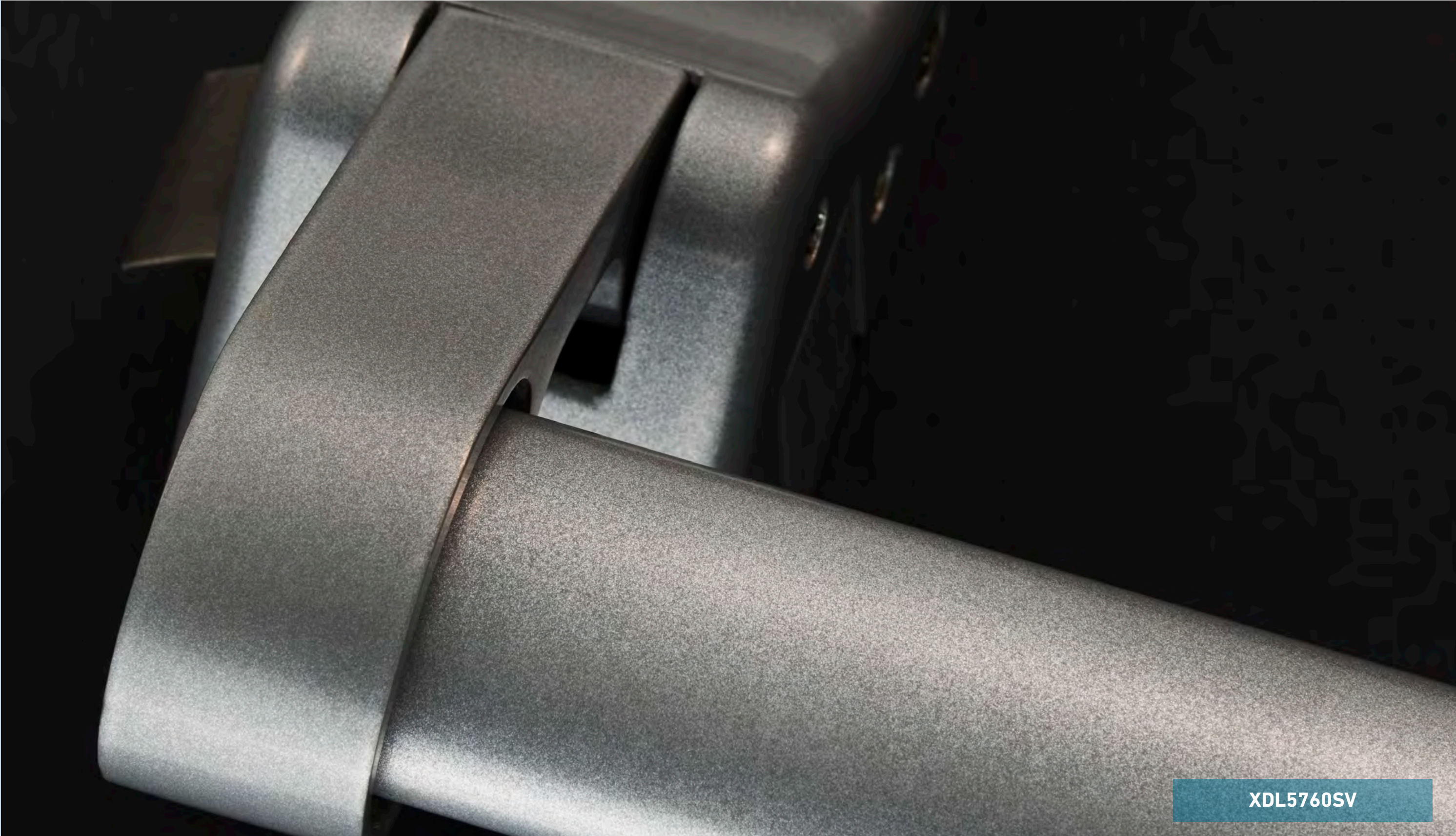
Eurolite's Euroseal outdoor collection is for gardens, workshops or commercial applications. With features such as IP66 rated level of protection, socket enclosures featuring hinged and lockable covers plus multiple knock outs for easy entry points.

Contract

-  Suitable for single and double doors
-  Dogging device as standard
-  Easi-reverse latch
-  Top tripper device on bolts

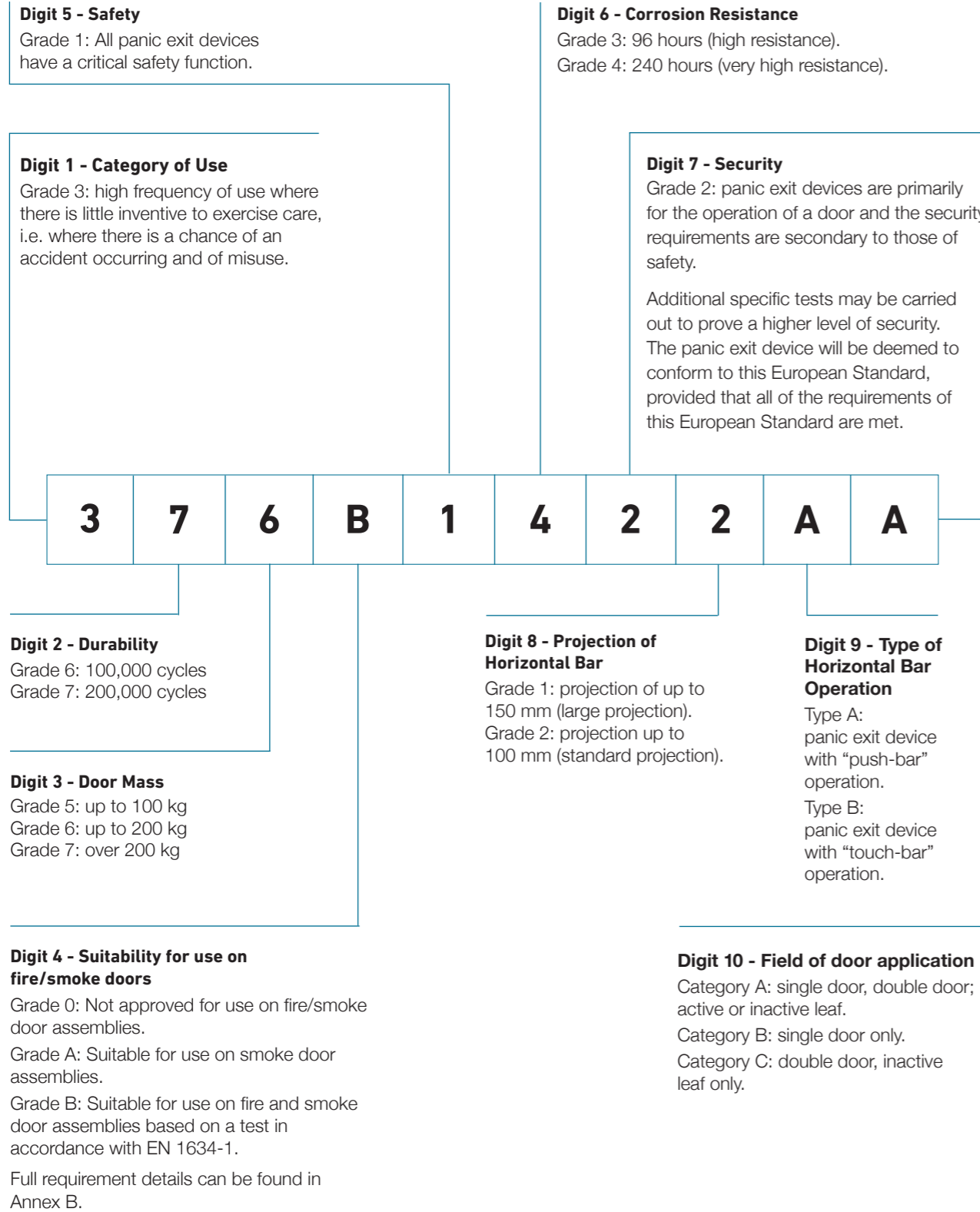
Push Pads

-  Double handed
-  Narrowstyle
-  Pullman-type latch

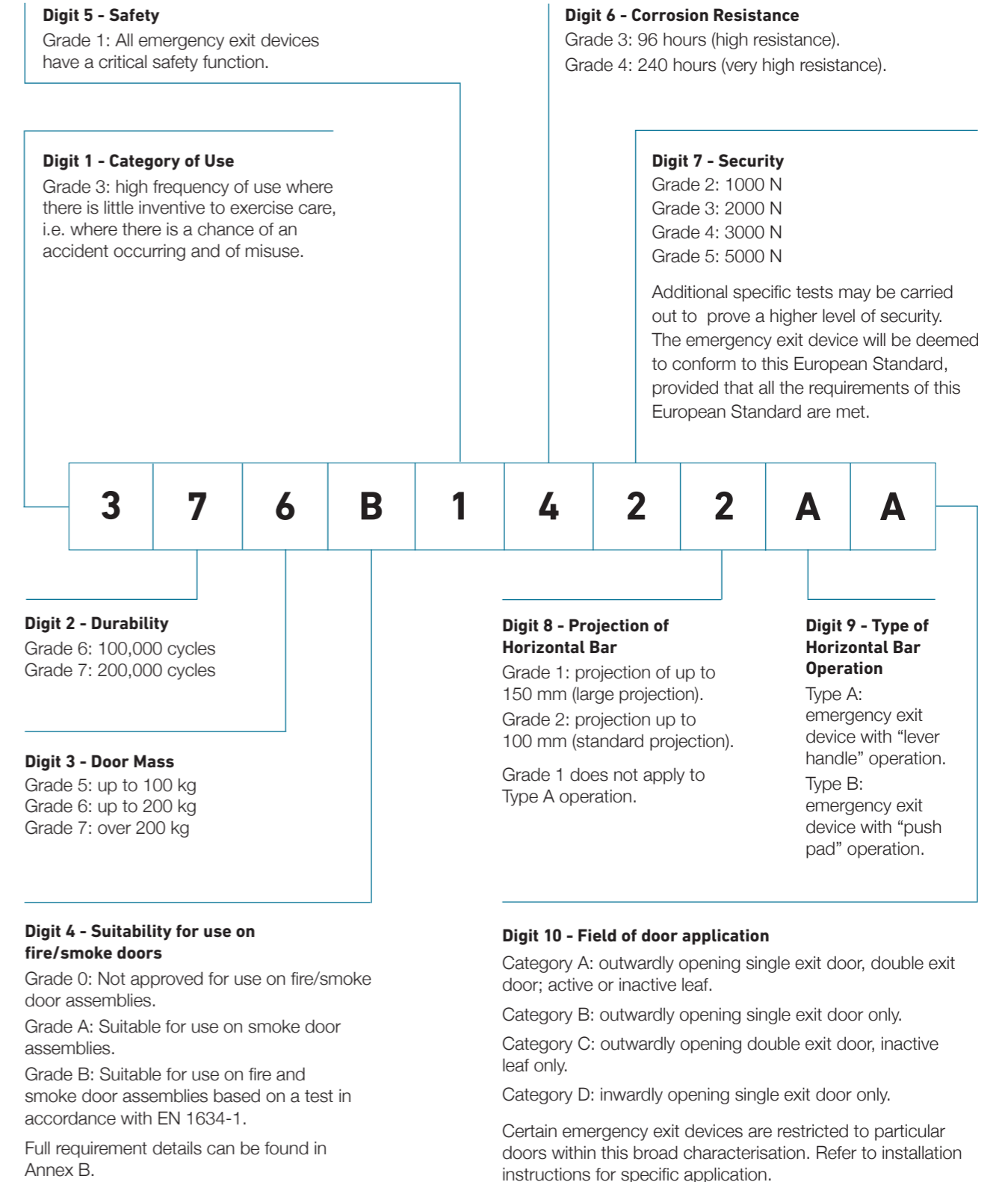


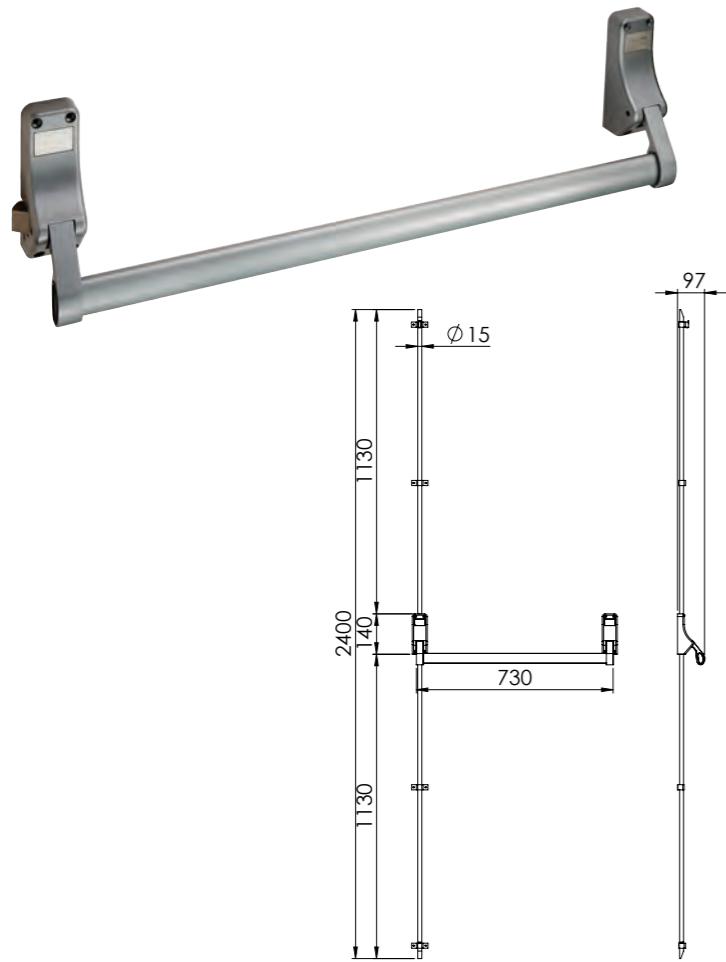
XDL5760SV

BS EN 1125:2008 UK designated version of the harmonised European standard entitled "Building hardware. Panic exit devices operated by a horizontal bar, for use on escape routes. Requirements and test methods." To ensure the panic device allow safe and effective escape through a doorway with minimum effort and without prior knowledge of the device. This applies to public buildings, places of entertainment, shops etc. The emphasis for products covered by this standard is on safe exit rather than security.



BS EN 179:2008 UK designated version of the harmonised European standard entitled "Building hardware. Emergency exit devices operated by a lever handle or push pad, for use on escape routes. Requirements and test methods." Covering devices to be used in emergency situations where people are familiar with the emergency exit and its hardware and therefore a panic situation is most unlikely to develop. Devices operated by a lever handle or push pad may therefore be used.





XDL5760SV
760mm Pushbar panic latch
with dogging function c/w strike

XDB5760SV
760mm Pushbar panic bolt
c/w vertical rods

XCA5000SV
Spare Pushbar to suit
doors up to 1200mm



Suitable for single
and double doors

Dogging device as standard

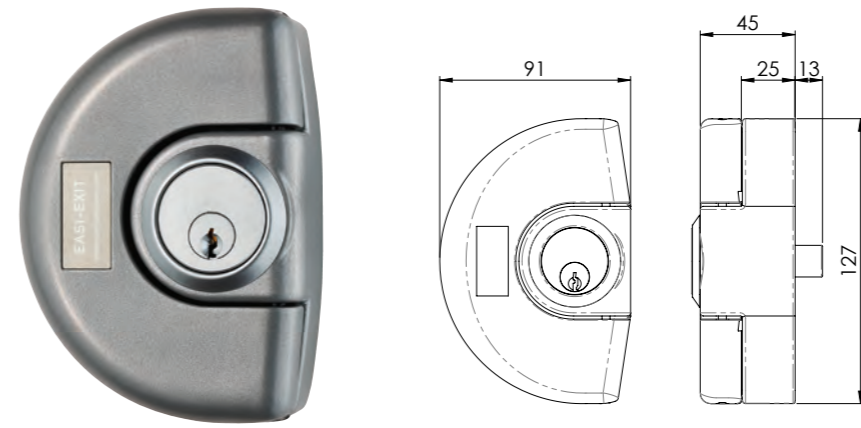
Easi-reverse latch

Top tripper device on bolts



APPROVED PRODUCT
CF719

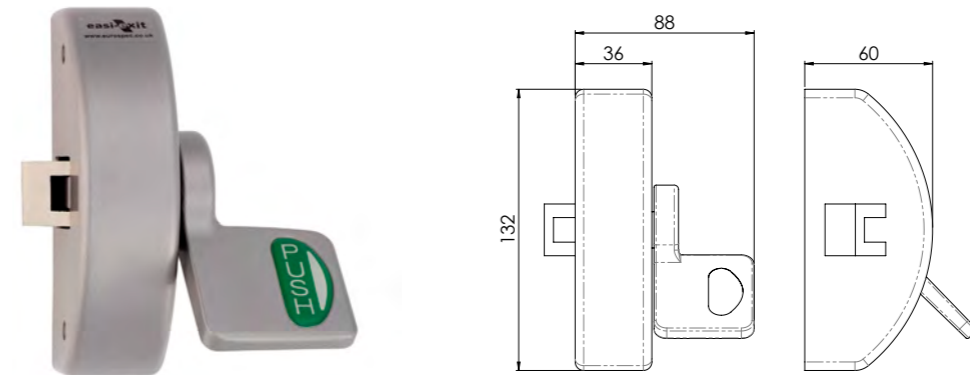
EN 1125:2008									
2812 - CPR - AAA010									
3	7	6	B	1	4	2	2	A	A



XIA5003SV
External Locking
Attachment
c/w 5 pin cylinder



Listed on Certifire certificate CF719 as an approved accessory only.
Approved for use with XDL5760 Push Bar Panic Latch, XIA5002 and XSA5002 Push Pads.



XSA5002SV
Narrow Style Push Pad

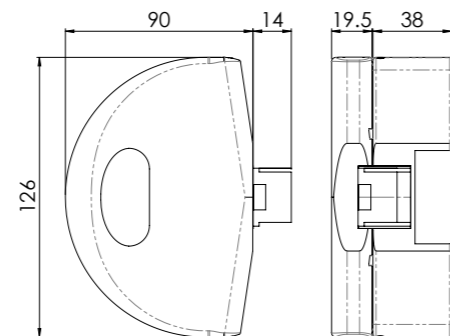


APPROVED PRODUCT
CF719

XSA5002 EN 179:2008									
2812 - CPR - ABB028									
3	7	6	B	1	4	2	2	B	A

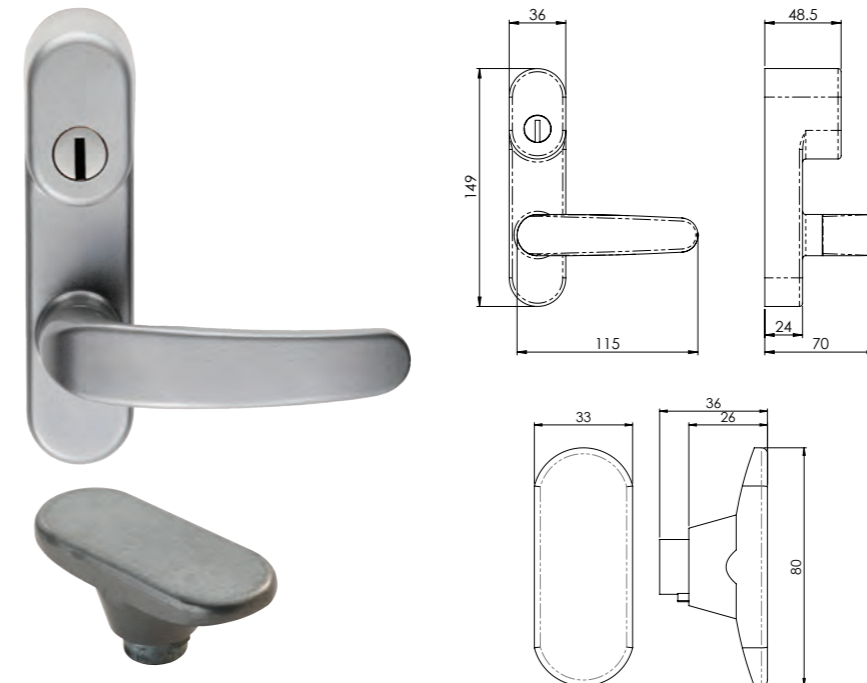


XIA5002SV
Push Pad Latch



APPROVED PRODUCT
CF719

EN 179:2008									
2812 - CPR - ABB018									
3	7	6	B	1	4	2	2	B	B





XSA5003SV
Lever Operated External
Locking Attachment
c/w 10 pin cylinder

For use with XDB5760
use XSA5033K/SV

XSA5033K/SV
Replacement T handle
for XSA5003









XSA5003SV Listed on Certifire certificate CF719 as an approved accessory only.
Approved for use with XDL5760 Push Bar Panic Latch, XIA5002 and XSA5002 Push Pads.








-  Acoustic seals form an effective barrier against the outside climate, noise, light, fire, smoke and insects
-  Cost effective solution for part E and M of the latest UK building regulations, relating to disability, access and energy conservation



Self Adhesive Intumescent Fire Seals

-  Rapid high pressure multi directional expansion
-  Mineral based: safe to handle, containing no fibrous material or harmful chemicals
-  Unaffected by moisture, humidity, atmospheric pollution and other common industrial and household chemical substances
-  Laboratory ageing tests indicate a life expectancy in excess of 100 years
-  Supplied with a self adhesive backing for ease of application
-  Identification on each product ensures full traceability

Drop Down Seals

-  High quality scissor action to accommodate uneven floors unlike weaker systems which can bend if the door is slammed
-  Fully adjustable seal to take up to a 14mm drop
-  Easy maintenance with a “slide in slide out” seal
-  Operationally tested to 200,000 cycles
-  Fully tested with and without use of threshold plates, also tested straight down to carpet
-  Seal drops on hinge side before lock side
-  Galvanized steel flat springs and reinforced actuators

Intumescent Packs

Material	Initial Expanding Deg -C	Main Body Expanding Deg -C	Free Expansion Rate	Density
Intercalated graphite 0.8mm sheet	> -180°C	550°C	Multi Directional X 40 Volume	1.2g/cm3

One pack suitable for both FD30 and FD60 applications, unless otherwise stated. Successfully included within BS EN 1634-1:2014.

Finger Protection

According to the RoSPA, the Royal Society for Prevention of Accidents, over 30,000 children in the UK require hospital treatment every year after trapping their fingers in doors. More than 1,500 of these children need surgery, sometimes requiring plastic/reconstructive surgical operations. Nasty accidents of this type can easily be prevented using any of the products from our finger protection range.



CB140-25
2100mm x 10mm x 4mm
Self Adhesive White Fire Door Seal
25 Pack



CB100-25
Brown



FDP104W
1050mm x 10mm x 4mm
Self Adhesive White Fire Door Seal
5 Pack



CB145-25
2100mm x 10mm x 4mm
Self Adhesive
White Fire and Smoke Door Seal
25 Pack



CB125-25
Brown



FDPS104W
1050mm x 10mm x 4mm
Self Adhesive
White Fire and Smoke Door Seal
5 Pack



FDPS104B
Brown



CB120-25
2100mm x 15mm x 4mm
Self Adhesive White Fire Door Seal
25 Pack



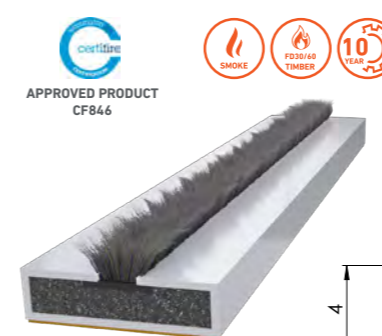
CB110-25
Brown



FDP154W
1050mm x 15mm x 4mm
Self Adhesive White Fire Door Seal
5 Pack



FDP154B
Brown



CB115-25
2100mm x 15mm x 4mm
Self Adhesive
White Fire and Smoke Door Seal
25 Pack



CB130-25
Brown



FDPS154W
1050mm x 15mm x 4mm
Self Adhesive
White Fire and Smoke Door Seal
5 Pack



FDPS154B
Brown

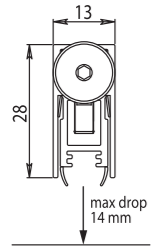


CB170-25
2100mm x 20mm x 4mm
Self Adhesive
White Fire and Smoke Door Seal
25 Pack



CB175-25
Brown





ES1204
TOP 37 Rebated model for timber doors
730mm 37dB Rw 5 Pack



ES1205
830mm

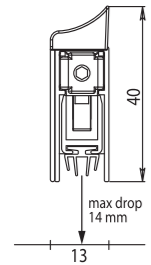
ES1206
930mm

ES1207
1030mm

ES1208
1130mm



- Prefitted screws for quick cost effective fixing
- Seal drops on hinge side before lock side
- Seal removable to assist installation/replacement
- 14mm maximum drop
- Galvanised steel flat springs and reinforced actuators
- 2 fin high quality 'V' zero class PVC rubber coextruded seal and carrier, self extinguishing, in aluminium body



ES1231
APPLIQUE 37 Surface mounted for retro fitting
on timber door sets 630mm 37dB Rw 5 Pack



ES1232
730mm

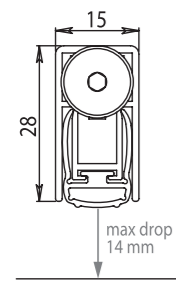
ES1233
830mm

ES1234
930mm

ES1235
1030mm



- Screw fix (screws supplied)
- Can be fitted to inside (lock side using bumper provided) or outside of the door (non lock side)
- Seal drops on hinge side before lock side
- 14mm maximum drop
- Galvanised steel flat springs and reinforced actuators
- 4 fin high quality 'V' zero class PVC rubber seal, self extinguishing



ES1222
ACOUSTIC PLUS 51 Rebated model for timber doors
730mm 51dB Rw 5 Pack



ES1223
830mm

ES1224
930mm

ES1225
1030mm



- Prefitted screws for quick cost effective fixing
- Seal drops on hinge side before lock side
- Seal removable to assist installation/replacement
- 14mm maximum drop
- Galvanised steel flat springs and reinforced actuators
- Sound insulating seal, high quality 'V' zero class PVC rubber, self extinguishing, in aluminium body

ES1271



Universal UK sashlock pack c/w strike plate with cut down serrations to fit 3.0" and 2.5" case sizes S/A. Suits architectural sash locks

ES1272



Universal UK flat latch pack c/w strike plate S/A. Suits FLL

ES1273



Universal UK deadlock pack c/w strike plate with cut down serrations to fit 3.0" and 2.5" case sizes S/A. Suits architectural dead locks

ES1274



Universal DIN lock fire pack c/w strike plate to suit Easi-T lock dimensions and able to work with 55mm and 60mm backset follower centres S/A Suits din modular locks

ES1275



Fire brigade lock pack c/w strike plate. Suits LFB2

ES1276



Residential bathroom/sashlock fire pack c/w strike plates S/A Suits BAE and LSE

ES1283











Tubular Latch Set and Deadbolt, c/w strike plate to suit 2.5" and 3" backset



Material	Initial Expanding Deg -C	Main Body Expanding Deg -C	Free Expansion Rate	Density
Intercalated graphite 0.8mm sheet	> -180°C	550°C	Multi Directional X 40 Volume	1.2g/cm3






One pack suitable for both FD30 and FD60 applications, unless otherwise stated. Successfully included within BS EN 1634-1:2014.

- INT1102**  100 x 36mm intumescent hinge, 4 pack
- INT1433**  100 x 30mm intumescent hinge liner, 4 pack
- INT1433/300B/R**  100 x 30mm intumescent radius hinge liner, 300 bulk pack
- INT1433/300B/S**  100 x 30mm intumescent hinge liner, 300 bulk pack
- INT1443**  100 x 40mm intumescent hinge liner, 4 pack
Only suitable for FD60
- ES1130**  Concealed hinge fire pack S/A. Suits CI001130. FD30 only
- ES1131**  Concealed hinge fire pack S/A. Suits CI001131
- ES1230**  Concealed hinge fire pack S/A. Suits CI001230. FD30 only



Material	Initial Expanding Deg -C	Main Body Expanding Deg -C	Free Expansion Rate	Density
Intercalated graphite 0.8mm sheet	> -180°C	550°C	Multi Directional X 40 Volume	1.2g/cm3

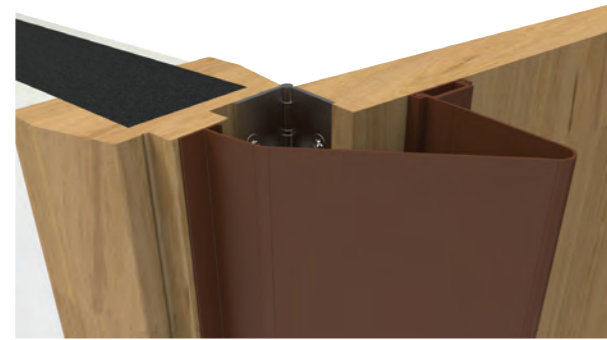
One pack suitable for both FD30 and FD60 applications, unless otherwise stated.
Successfully included within BS EN 1634-1:2014.

- INTAA45**  New Universal CB Chain Closer Kit. To suit AA45 (FD30)
- INT2024**  Intumescent pack to suit DCC2024CF (FD30)
- INT2024/60**  Intumescent pack to suit DCC2024 (FD60)
- INT2500**  Intumescent pack for double action floor spring. Suits DCFS150
- INT1008**  Intumescent pack for lever action flush bolt. Suits FBT1008



Material	Initial Expanding Deg -C	Main Body Expanding Deg -C	Free Expansion Rate	Density
Intercalated graphite 0.8mm sheet	> -180°C	550°C	Multi Directional X 40 Volume	1.2g/cm3

One pack suitable for both FD30 and FD60 applications, unless otherwise stated.
Successfully included within BS EN 1634-1:2014.



Little Fingers Slimline Finger Protector

ES800
Opening side 120° white

ES801
Hinge knuckle side 105° white



ES802
Opening side 120° brown

ES803
Hinge knuckle side 105° brown



- Slimline design - once fitted it is hardly noticeable, only projects 30mm from door face
- Opens up to 180°
- 1.95 metre lengths
- Easy to install, no specialist tools or equipment required. Fixing screws provided
- Supplied with high performance self-adhesive tape to aid easy fitting
- Easy to clean and requires no maintenance
- Suitable for areas of heavy pedestrian traffic
- Improves acoustic and draft proofing performance
- Easily cut to length for shorter doors



Little Fingers Slimline Heavy Duty Finger Protector

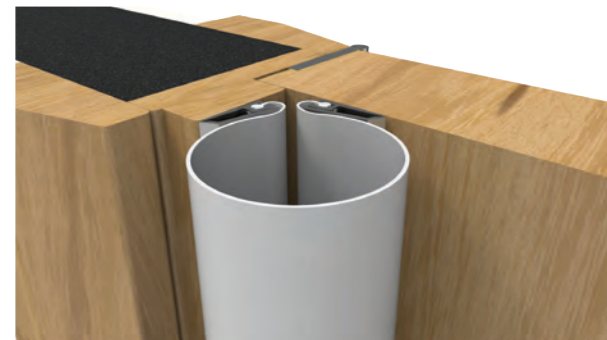
ES805
Opening side 180° white

ES806
Hinge knuckle side 105° white

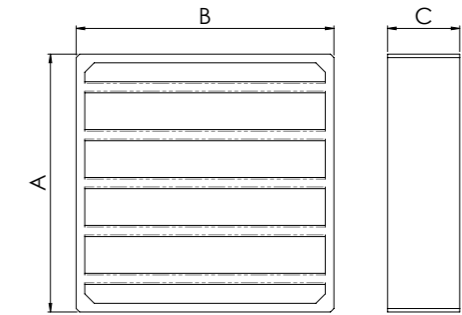


ES807
Opening side 180° brown

ES808
Hinge knuckle side 105° brown



- Easy to install, no specialist tools or equipment required
- Low maintenance
- Suitable for butt-hinged or pivot doors
- 1.95 metre lengths
- Opens up to 180°
- Left or right handed opening doors
- Front and rear types



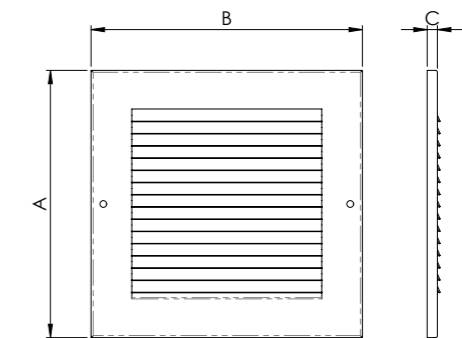
ES400
ES401
ES402
ES403
ES404
Air Transfer Vent



	A	B	C
ES400	150	150	42
ES401	150	300	42
ES402	300	300	42
ES403	112	225	42
ES404	225	225	42



Face Plate Cover for Air Transfer Vent



ES420
To match ES400

ES421
To match ES401

ES422
To match ES402

ES423
To match ES403

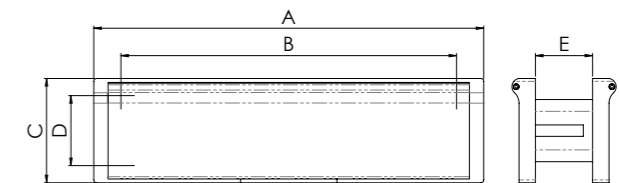
ES424
To match ES404



	A	B	C
ES420	197	200	7.5
ES421	197	346	7.5
ES422	340	345	7.5
ES423	160	270	7.5
ES424	270	270	7.5



Intumescent Letterbox



ES300
ES304



ES301
ES305



ES302
ES306



ES303
ES307



ES308
ES309



	A	B	C	D	E
ES300	56	272	238	40-80	70
ES301	56	272	238	40-80	70
ES302	56	272	238	40-80	70
ES303	56	272	238	40-80	70
ES304	56	305	274	40-80	70
ES305	56	305	274	40-80	70
ES306	56	305	274	40-80	70
ES307	56	305	274	40-80	70
ES308	56	272	238	40-80	70
ES309	56	305	274	40-80	70



Metals and Finishes

Keeping any metal clean is important. Dust, which is usually chemical active, and moisture, which is often acid, are principal natural hazards. Simple but regular cleaning is more successful than severe sporadic treatment.



Black Antique

Using a soft cloth, apply a light oil to the entire surface and buff to dry.



Pewter

Occasional light wash with soapy water, dry thoroughly and buff lightly to remove any water marks.



Brass (Not Lacquered)

Brass is an alloy of copper and zinc, with copper being the main component. Copper reacts to the atmosphere by producing a natural oxidation (patina) of its surface which when completely covered, resists further attack from the atmosphere. Patina is often a dark green colour, however, can also display different shades. Occasional light wash with soapy water, dry thoroughly - this will still allow the natural patina to remain. If you prefer a fresh brass look, occasional use of Brasso.



Lacquered Finishes

Regular dusting is required. Occasional light wash with soapy water, dry thoroughly and buff lightly to remove any water marks.



Plated Finishes

Regular dusting is required. Occasional light wash with soapy water, dry thoroughly and buff lightly to remove any water marks.



Stainless Steel

Regular dusting is required. Occasional light wash with soapy water, dry thoroughly and buff lightly. When fitted externally, use GT85 PTFE (or similar) spray on a soft cloth to clean any dirt/contaminants, or discolouration.



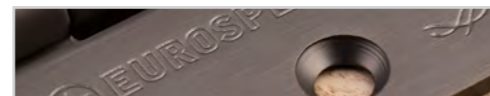
PVD

Regular dusting is required. Occasional light wash with soapy water, dry thoroughly and buff lightly to remove any water marks.



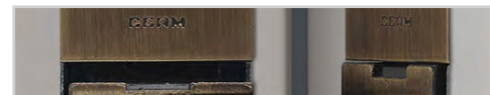
Door Hardware

All items of door hardware will require regular cleaning for aesthetics, however, the following should be carried out to maintain the correct mechanical operation of the product(s).



Hinges, Locks & Latches, Door Closers and Exit Hardware

After 20,000 operations, lubricate using GT85 PTFE solution or similar. Repeat after each additional 20,000 operations. Ensure all fixings are secure, the product is free from obstruction and check for correct operation.



CEAM Concealed Hinges

Lubricate the hinges, using a dry PTFE spray when required (once every two years as a minimum). Check all fixings and adjust as necessary.



M78CP

Key to Finishes

- AB** Antique Brass
- ABB** Antique Burnished Brass
- ABIC** Antique Brass/Ivory Crackle Glaze
- ABS** Blue Nylon
- ACC** Acrylic Clear Chrome
- ANT** Anthracite
- AS** Antique Steel
- ASMC** Antique Steel/Midnight Blue Crackle Glaze
- BA** Black Antique
- BB** Brushed Black
- BK** Black
- BL** Black
- BLACK** Black
- BLK** Black
- BLK/WHT** Black & White
- BN** Black Nickel
- BNP** Black Nickel Plated
- BR** Bronze
- BROWN** Brown
- BSS** Bright Stainless Steel
- BSS/SSS** Bright Stainless Steel/Satin Stainless Steel
- BZP** Bright Zinc Plated
- COP** Copper
- COP/WHT** Copper & White
- CP** Polished Chrome
- CP/BLK** Polished Chrome & Black
- CP/MC** Polished Chrome & Midnight Blue Crackle Glaze
- CP/MSC** Polished Chrome/Matt Satin Chrome
- CPSC** Polished Chrome/Satin Chrome
- CPSN** Polished Chrome/Satin Nickel

- CTB** Clear Translucent Brass
- CTC** Clear Translucent Chrome
- DB** Dark Bronze
- EB** Electro Brassed
- EXB** Extruded Black
- FB** Florentine Bronze
- FB/IC** Florentine Bronze/Ivory Crackle Glaze
- GAA** Gold Anodised Aluminium
- GALV** Galvanised
- GM** Gun Metal
- GN** Green
- GOLD** Gold
- ICFB** Ivory Crackle Glaze/Florentine Bronze
- JAP** Black Japaned
- MB** Matt Black
- MBRZ** Matt Bronze
- MCCP** Midnight Blue Crackle/Polished Chrome
- MSN** Matt Satin Nickel
- NIK00** Nickel Plated
- NP** Nickel Plated
- PAA** Polished Anodised Aluminium
- PB** Polished Brass
- PC** Polished Chrome
- PCB** Powder Coat Black
- PCW** Porcelain White
- PE** Pewter
- PLW** Plain White/Polished Brass
- PLWCP** Plain White/Polished Chrome
- PN** Polished Nickel
- PNP** Polished Nickel Plated

- PNSN** Polished Nickel/Satin Nickel
- POL/LAC** Polished/Lacquered
- PS** Polished Stainless
- PT** Pewter
- PVD** Stainless Brass
- PVD BLACK** PVD Black
- PWCP** White Porcelain/Polished Chrome
- PWH** White Porcelain
- PWSC** White Porcelain/Satin Chrome
- SAA** Satin Anodised Aluminium
- SB** Satin Brass
- SBPB** Satin Brass/Polished Brass
- SC** Satin Chrome
- SC/BLK** Satin Chrome/Black
- SCCP** Satin Chrome/Polished Chrome
- SCO** Satin Copper
- SCOL** Self Colour
- SCP** Satin Chrome Plated
- SG** Silver Grey
- SN** Satin Nickel
- SNCP** Satin Nickel/Polished Chrome
- SNP** Satin Nickel Plated SS - Stainless Steel
- SNSS** Satin Nickel/Stainless Steel
- SPVD** Satin Stainless Brass
- SS** Stainless Steel
- SSCP** Stainless Steel/Polished Chrome
- SSE** Stainless Steel Effect
- SSS** Satin Stainless Steel
- SSSC** Satin Stainless Steel/Satin Chrome
- SV** Silver

- VCH00** Stainless Steel Plated
- VNO** Matt Black
- W** White
- WH** White
- WOSC** Wood Oak/Satin Chrome
- ZP** Zinc Plate

Ceam Finish Guide

CEAM FINISH	=	CARLISLE BRASS FINISH
Nichelato		Polished Nickel
Verniciato Nero Opaco		Matt Black
Champagne		Satin Nickel
Bronzato		Matt Bronze
Bronzo Spazzolato		Antique Brass
Ottonato		Polished Brass
Ottonato Satinado Galvanise		Satin Brass
Verniciato Argento		Silver
Nichel Nero		Black Nickel

Key to Symbols

GUARANTEES



2 Year Electrical



2 Year Mechanical



5 Year Mechanical



10 Year Mechanical



25 Year Mechanical



BS 8300-2:2018 Design of an accessible and inclusive built environment. Part 2: Buildings - code of practice, is a guidance document to support building regulations document “Approved Document M. Public buildings (England & Wales) need to comply with the regulations, therefore, “All Inclusive” door hardware will need to meet, where possible, the guidelines of BS 8300-2. (These guidelines relate to, clear opening widths, Threshold heights, Door opening forces, Handle heights & dimensions, Lock case dimensions, and Light Reflectance Values (LRVs)).



CE MARKING Certification required by the “Construction Products Regulation (CPR) 2011” for products being sold in EU. The CE mark on a product indicates that the product has been successfully 3rd party conformity assessment by an EU27 Notified Body. It is the manufacturer’s declaration that the product complies with all essential requirements relating to the relevant European Harmonised Standard for that product type. Since January 2022, CE marking has not been recognised in Great Britain (England, Scotland, & Wales), but products carrying CE can still be sold if they also carry UKCA marking. Northern Ireland (whilst the Northern Ireland Protocol remains) will still align with EU rules for CE marking. (Any product being placed on the market there from Great Britain must carry CE mark, along with UKCA mark (or UKNI mark)).



UKCA (UK Conformity Assessed) certification required by the “Construction Products (Amendment etc.) (EU Exit) Regulations 2020” for products being placed on the market in Great Britain (England, Scotland and Wales). It applies to most goods which previously required CE marking, and many of the testing and accreditation requirements are similar, however for UKCA, the product complies with all essential requirements relating to the relevant UK Designated Standard for that product type.



APPROVED PRODUCT
CFXXX

CERTIFIRE An independent 3rd party scheme providing high quality, voluntary, product conformity for the passive fire sector. Certifire is product certification at a higher level than CE and UKCA. Products must be officially sample selected by Warringtonfire, for all testing and a comprehensive field of application document based on carefully chosen tests. Designed to give confidence to specifiers, enforcement authorities and building owners/occupiers, the Certifire scheme is recognised by regulatory authorities both in the UK and overseas.



BS 3621

BSI KITEMARK™ The world’s premier symbol of trust, integrity and quality. Manufacturers having this associated with their product or service will reassure customers and specifiers alike that they have satisfied the most rigorous of quality processes.



TS 007:2014
KM 585549

TS 007:2014 Technical schedule entitled “Enhanced security performance requirements for replacement cylinders and/or associated hardware.” Covers both cylinders and protective door furniture, including security handles and security escutcheons. It specifies a minimum level of security requirement to defend against the opportunist burglar.

BS EN 1634 European Fire Safety Standard entitled “Fire resistance and smoke tests for door and shutter assemblies, openable windows and elements of building hardware. Part 1: Fire resistance test for door and shutter assemblies and openable windows.” Fire evidence for individual items for door hardware means they are suitable for consideration for use on a fire door, it does not mean that the product can be fitted to every fire door. Any evidence gained must show that the hardware did not affect the integrity of the fire door-set in which it was tested with.



FD30 TIMBER
30 minute fire doors



FD60 TIMBER
60 minute fire doors



FD30/60 TIMBER
30/60 minute fire doors



FD30/60/120 TIMBER
30/60/120 minute fire doors



FD120 STEEL
120 minute fire doors



FD240 STEEL
240 minute fire doors



FD120/240 STEEL
120/240 minute fire doors



BS EN 179 UK designated version of the harmonised European standard, requirements and testing methods covering panic exit devices operated by a lever handle or push pad.



BS EN 1125 UK designated version of the harmonised European standard, requirements and testing methods covering panic exit devices operated by a horizontal bar.



BS EN 1154 UK designated version of the harmonised European standard, requirements and testing methods covering controlled door closing devices.



BS EN 1155 UK designated version of the harmonised European standard, requirements and testing methods covering electronically powered hold open devices.



BS EN 1303 UK non-designated version of the non-harmonised European standard, requirements and testing methods covering cylinders for locks.



BS EN 1670 British/European standard entitled “Building hardware – Corrosion resistance. Requirements and test methods” The standard provides a method of classification of corrosion resistance of building hardware based on performance in a neutral salt spray test (EN ISO 9227).



BS EN 1906 UK non-designated version of the non-harmonised European standard, requirements and testing methods covering lever handles and knob furniture.



BS EN 1935 UK designated version of the harmonised European standard, requirements and testing methods covering single axis hinges.



BS EN 12209 UK designated version of the harmonised European standard, requirements and testing methods covering single axis hinges, locks, latches and locking plates.



SPECIAL ORDER
Special order products are available by request only, a lead time is generally associated with these products, please contact customer services for more details, 01228 511030.



SECURED BY DESIGN The official police security initiative that works to improve the security of buildings and their immediate surroundings, to provide safe places to live, work, shop and visit. The product-based accreditation scheme “the Police Preferred Specification” provides a recognised standard for all security products that can deter and reduce crime. Places an obligation on a door or window fabricator to test and or certificate their products, and meet the requirements of Secured by Design i.e. 3rd party certification. Ensures that any changes in crime offending methods are considered and or introduced into product development. Secured by Design award is recognition that the product has successfully passed the standard/test elements nominated by the police service. Secured by Design does not sell or provide any guarantees in respect of the product, it is the attack test standard(s) that Secured by Design support.

CYLINDER FEATURES AND BENEFITS



Anti-Drill



Break-Off System



Anti-Plug Pull



Anti-Pick



Anti-Bump

INTUMESCENT FEATURES AND BENEFITS



Acoustically Tested 35 dB Rw



Acoustically Tested 37 dB Rw



Acoustically Tested 39 dB Rw



Acoustically Tested 51 dB Rw



Smoke Control

CYLINDER SECURITY LEVELS



High Security



Standard Security

MATERIAL



Grade 304
Stainless Steel



Grade 316
Stainless Steel

A	
Accessories	130 - 141
Acoustic Seal	410
Aluminium Collection	274 - 285
ART Deco	80 - 82
B	
Ball / Thrust Bearing Hinges	292 - 300, 303
Ball Catches	189, 357
Barrell Bolt	140, 269, 398
Bathroom Accessories	192 - 199
Bathroom Bolt	138
Bathroom Locks	343, 347, 354
Bell Pushes	95, 117, 272
Black Antique Range	88 - 105
British Standard Locks	332 - 334
C	
Cabin Hook	134, 269
Cabinet Accessories	144, 189
Cabinet Hardware	142 - 191
Cable Tidy	190
Casement Fasteners	97 - 99, 120 - 121, 123
Casement Pins	125, 202
Casement Stays	97 - 99, 120 - 122, 126
Ceam Hinges	190, 304 - 309
Centre Door Knobs	92, 113 - 114, 273
Cylinder Night Latch	344, 358 - 359
Concealed Door Closer	326
Cupboard Handles	151, 153, 155, 177 - 189, 269
Cupboard Knobs	147 - 150, 152, 155, 156, 165 - 175
Cupboard Pulls	158 - 163
Cylinder Accessories	387 - 389
Cylinder Pulls	95, 117, 263, 281
Cylinders	362 - 389
D	
Deadbolts	344, 349 - 350
Din Locks / Latches	335 - 340
Disabled Toilet Handle	282
Door Chain / Guard	95, 115 - 116
Door Controls	310 - 327
Door Knockers	96 - 97, 114 - 115, 273
Door Stops	105, 135 - 136, 267 - 268, 279, 283, 303
Door Studs	96 - 97
Door Viewers	115, 272
Dust Sockets	136 - 137, 268
E	
Easy Keep Latch	139
Escutcheons	13, 21 - 22, 25, 37 - 38, 43, 49, 55, 68 - 69, 92 - 94, 117, 132, 210, 214, 223, 227, 231, 236, 277, 282
Espagnolette Bolts	139

Espagnolette Fasteners	124
European Collection	18 - 25, 75
External Door Furniture	106 - 117
F	
Fanlight Window Furniture	126
Finger Plates	77-79, 101, 258 - 259, 278
Fire & Smoke Seals	409
Fire Brigade Lock	360
Flat / Upright Latch	345, 352, 355
Floor Spring	326
Flush Bolts	136, 268
Flush Pulls	16 - 17, 133, 141, 162 - 163, 263 - 264, 279
Forend / Strike Fixing Packs	328 - 337, 341 - 343, 345, 348 - 350
G	
Gate Latch	105
Grade 4 BSEN1906	206 - 211
Grade 316 Stainless Steel	212 - 215
H	
Handrail Brackets	135, 266 - 267
Hasp & Staple	398
Hat & Coat Hooks	101, 105, 134 - 135, 265 - 266, 280, 283
Harmonise Collection	144, 145, 149 - 157
High Specification Hinges	287 - 303
Hinge Bolt	303
Hinge Front	104
Hinge Guards	414
I	
Intumescent Packs	411 - 413
K	
Key Safe	361
Kickplates	259
Kitchen / Cabinet Hinges	190 - 191
L	
Letter Plates / Tidy	94 - 95, 111 - 112, 273, 415
Letters	116, 261 - 262
Lever on Backplate	14 - 15, 39, 44 - 45, 50 - 51, 56 - 59, 90 - 91, 241 - 245, 280, 284
Lever on Rose	10,12, 20 - 22, 24, 25, 30 - 37, 42 - 43, 48 - 49, 54 - 55, 209, 214, 218 - 222, 226 - 227, 230, 234 - 235, 276, 280
Locks & Latches	328 - 361
Locks & Latches Accessories	361
M	
Magnetic Catches	189
Manital Range	6 - 17
Mechanical Locks	361
Mortice Deadlocks	341 - 342, 353, 355
Mortice Knobs	60 - 66, 91 - 92, 214, 227, 235
Mortice Sashlocks	341 - 343, 346, 353, 356

MP10 Cylinders	369 - 371
MP5 Architectural Cylinders	379 - 383
MP5 Contract Cylinders	385 - 386
MPx6 Cylinders	373 - 375
Multipoint Handles	90, 108 - 110
N	
Numerals	96, 116, 261 - 262
O	
Outdoor Security	390 - 399
Overhead Door Closers	314 - 324
P	
Padlocks	369, 393 - 397
Panic Hardware	400 - 405
Parliament Hinges	298, 302
Piano Hinges	87
Pivot Set	303
Pull Handle Fixings / Accessories	254 - 255, 276, 281
Pull Handles	70 - 77, 99 - 100, 246 - 253, 276, 281
R	
Rebate Set	328 - 337, 341 - 343, 347 - 348, 350 - 356
Residential Hinges	84 - 87
Rim Knobs	66, 92
Rim Latch / Locks	357
Rising Butt Hinges	302
S	
Sash Fasteners	126 - 127
Sash Lifts	128-129
Sash Pulls	128
Sash Stop	125
Security Bolt	138, 358
Signs	260, 277
Sliding Door	16 - 17
Spares & Accessories	200 - 203, 215
Special Cylinders	383
Stainless Steel Accessories	256 - 269
Stainless Steel External Door Furniture	270 - 273
Stainless Steel Levers on Backplate	238 - 245
Stainless Steel Levers on Rose	216 - 237
Stainless Steel Pull Handles	246 - 255
Surface Bolts	101 - 103, 140
SZC Range	40 - 45
SZM Range	28 - 35, 37 - 39, 49, 75
SZR Range	46 - 51
T	
Taylor Spindles	202
T-hinges	104
Thumb Latch	101, 105
Traditional Handles	52 - 59
Tubular Latches	347 - 348, 350 - 352

Turn & Releases	10,13, 21 - 23, 25, 38, 43, 49, 55, 68 - 69, 103, 133, 202, 210, 214, 223, 227, 231, 236, 277, 282
-----------------	--

V	
Vents	141, 415
W	
Wall Magnet	325
Washed / Butt Hinges	86 - 87, 104, 302
Window Fittings	118 - 129
Window Locks	125
Z	
Zin Range	35 - 37

A	
AA0	13
AA1	13
AA12	13
AA122	136
AA12L	13
AA133BA	103, 133
AA145	55,69
AA20	136
AA21	135
AA22	136
AA23	135
AA25	134
AA26	134
AA27	134
AA3	13
AA31	117
AA32	133
AA33	133
AA33BA	103
AA345	55, 69, 138
AA35	138
AA36	72
AA38	134
AA39	127
AA4	132
AA40	126
AA40LCK	126
AA41	127
AA42	129
AA42R	129
AA42R1	129
AA45	326
AA46	139
AA52	111
AA53	111
AA54	111
AA55	95, 111
AA56	111
AA61	134
AA62	134
AA63	134
AA64	134
AA65	134
AA73	122
AA75	115
AA76	115
AA77	115
AA79	136
AA80	140
AA810	140
AA812	140
AA813	136, 140
AA818	140
AA824	140
AA84	135
AA85	135
AA86	135
AA90	72
AA91	72
AA92	72
AA95	76

AA96	128
AA97	128
ABH1000ZP	202
AC020	62
AC050	66
AC055	112
ADR011	82
ADR011Y	82
ADR012	82
ADR013	82
ADR021	82
ADR022	82
ADR023	82
ADR501B	82, 167
ADR502C	82, 179
AEB1750	377
AEB5000	361
AGS1000H	203
AGS5000	203, 361
AGW1000	203
AHB1000G316	303
AKE5200	361
AKE5300/L	361
AKE5300/R	361
AKS5000B	361
AKS5000B/RIM	361
AKSFB1	360
AKSFB2	360
AKU5000S	361
ALB1001	203
ALB1001/L	203
ALP5038	215, 335-337
ALS1002H	203, 215
ALS5100	202
AMK5000 - AMK5004	361
AP104L	133
AP7M	203
APB1000 - APB1002	361
AQ1	12
AQ11	13
AQ12	13
AQ133	69
AQ1NP	110
AQ1NP92	110
AQ2	12
AQ25	135
AQ3	12
AQ30	117
AQ31	117
AQ39	127
AQ4	12
AQ40	117
AQ41	68, 117
AQ42	129
AQ43	127
AQ45	132
AQ46	138
AQ47	138
AQ50	129
AQ81	140
AQ82	140
AQ82EX	140

AQ83	140
AQ84	140
AQ90	133,163
AQ91	128
AQ92	128
AQ93	128
ARB5105	332
ARB5110	332
ARB5205	332
ARB5305	333, 334
ARB5405	333, 334
ARD5205	341, 342
ARDS5005	335-337
ARE5005	353-356
ARF8105	345
ARS5105	341, 343, 352
ART5105	347, 348, 350
ART54A	16
ART54AQ	16
ART55B	17
ART55BQ	16
ART56	17
ART56Q	17
ARTSY40	10
ASH5000	202, 361
ASP5038	335
ASS1019	201
ASS1030	201
ASS5100	215, 335-337
ATS1000	202
AZ20	136
AZ21	135
AZ22	135
B	
B12	55, 69
BAE5025	354
BAE5030	354
BAS5025	343
BAS5030	343
BB3204	140
BB3206	140
BB3208	140
BB3806	140
BB3808	140
BBF1019SS/SQ	255
BBF109 - BBF1030/2	255
BBT1080 - BBT1200	269
BBT1080CR - BBT1200CR	269
BP40	144
BP76	144
BP168	144
BP200	144
BP501	155
BP502	155
BP700	153
BP701	152
BP702	152
BP703	152
BP710	151
BP711	150
BP712	150
BP713	150

BP720A	156
BP750	149
BR35	138
BTL1 - BTL4	351
BTL25	351
BTL30	351
C	
C47	161
CAB1100 - CAB1200	269
CB100-25	409
CB110-25	409
CB115-25	409
CB120-25	409
CB125-25	409
CB130-25	409
CB140-25	409
CB145-25	409
CB170-25	409
CB175-25	409
CDC85/R	326
CDG003	322
CDG025	317
CDG420	321
CEB001	23
CEB001Q	22
CEB003	23
CEB003Q	22
CEB004	23
CEB004Q	22
CEB010Q	22
CEB050Q	22
CEB060Q	22
CEB120	23
CEB130	23
CEN1433/13	293
CEN1443/13	293
CFD1150 - CFD1600	254
CH30A	171
CH6	172
CI000929	190
CI001129	308
CI001130	308
CI001131	309
CI001230	309
CL155SGVCB	361
CPD1096 - CPD1128	269
CPM1096 - CPM1128	269
CPRB1170	243
CPRE1170	243
CPRE1170/72	243
CPRP1170	243
CPRT1170	243
CPRT1170/78	243
CPRTL1170	243
CPRU1170	243
CSB1006	231
CSD1150 - CSD1600	254
CSE1005	236
CSE1006	231
CSK1058	235
CSL1120	234
CSL1121/6	230

CSL1127/6	230
CSL1134	234
CSL1160	234
CSL1190	234
CSL1190/6	230
CSL1191	234
CSL1192	235
CSL1192/6	230
CSL1193	235
CSL1194	235
CSL1194/6	230
CSLP1162B	244
CSLP1162E	244
CSLP1162P	244
CSLP1162T	244
CSLP1164B	244
CSLP1164E	244
CSLP1164P	244
CSLP1164T	244
CSLP1167B	245
CSLP1167E	245
CSLP1167P	245
CSLP1167T	245
CSLP1190	242
CSLP1191	242
CSP1005	236
CSP1006	231
CSR1005	201, 255
CST1015	236
CST1018	231
CST1025	236
CST1028	231
CSU1005	236
CYA70445	383
CYA70470	383
CYA71140 - CYA71150	380
CYA7123050 - CYA7124555	380
CYA71260 - CYA712100	380
CYA7134030 - CYA7136040	381
CYA71360 - CYA713100	381
CYA72270	382
CYA72370	382
CYB71140 - CYB71175	380
CYB7123050 - CYB7124555	380
CYB71260 - CYB712110	380
CYB7133040 - CYB7136040	381
CYB71360 - CYB713110	381
CYB73520	382
CYB73620	382
CYB74140 - CYB74175	380
CYB7423050 - CYB7424555	380
CYB74260 - CYB742110	380
CYB7433040 - CYB7436040	381
CYB74360 - CYB743110	381
CYB75270	382
CYB75370	382
CYB76520	382
CYB76620	382
CYB77140 - CYB77175	380
CYB7723050 - CYB7724555	380
CYB77260 - CYB772110	380
CYB7733040 - CYB7736040	381

CYF71370 - CYF713100	375
CYF73524	375
CYF73624	375
CYF74146 - CYF74150	374
CYF7423540 - CYF7424060	374
CYF74270 - CYF742110	374
CYF7433545 - CYF7436040	375
CYF74370 - CYF743100	375
CYF76524	375
CYF76624	375
CYF77146 - CYF77150	374
CYF7723540 - CYF7724060	374
CYF77270 - CYF772110	374
CYF7733545 - CYF7736040	375
CYF77370 - CYF773100	375
CYF79524	375
CYF79624	375
CYG71142 - CYG71155	370
CYG7123240 - CYG7124555	370
CYG71264 - CYG712100	370
CYG7133240 - CYG7134555	371
CYG71364 - CYH713100	371
CYG71370CR	371
CYG71380CR	371
CYG73525	370
CYG74142 - CYG74155	370
CYG7423240 - CYG7424555	370
CYG74264 - CYG742100	370
CYG7433240 - CYG7434555	371
CYG74364 - CYG743100	371
CYG74370CR	371
CYG74380CR	371
CYG76525	370
CYG77142 - CYG77155	370
CYG7723240 - CYG7724555	370
CYG77264 - CYG772100	370
CYG7733240 - CYG7734555	371
CYG77364 - CYG773100	371
CYG77370CR	371
CYG77380CR	371
CYG79525	370
CYG7PL047SC KD/KA/UMK	369
CYH71264 - CYH71280	370
CYH71364 - CHY71380	371
CYPL1040 - CYPL1050	393
CYPL1051	393
CYPL1450	393
CYPL2040 - CYPL2050	393
CYPL2050	394
CYPL3030 - CYPL3060	394
CYPLA65	397
CYPLB3080	397
CYPLC1030	397
CYPLC1050	397
CYPLD3070	394
CYX7123540 - CYX7124060	374
CYX71270 - CYX712110	374
CYX71370 - CYX713100	375
CYX733545 - CYX7136040	375
CYZ70000	389
CYZ70001	389
CYZ70001/6	389

CYZ70002 388
CYZ70004 388
CYZ70006 387
CYZ70007 387
CYZ70008 387
CYZ70009 387
CYZ70011 387
CYZ70012 388
CYZ70016 388
CYZ70040 388
CYZ70050 388
CYZ70060 389
CYZ74001 389
CYZ7500 389
CYZ75060 389
CYZ75061 389
CYZ78001 389
D
DCC2024CF 314
DCC2024SM 315
DCCEM3024 324
DCEM2004 325
DCF2003 320
DCFS150/EN3 326
DCS2024 318
DCS2026BC 316
DCT2024 319
DEM100F/SV 325
DEM100S/SV 325
DK1 68
DK12 68
DK13 68
DK32WOSC 62
DK34ICFB 62
DK34MC 62
DK34PW 63
DK35C 63
DK36C 63
DK37C 64
DK39C 63
DK42 126, 132
DK47 167
DK48C 168
DK49 168
DK7 126
DK8 126
DL0060EPSSS 335
DL16 - DL18 57
DL167 - DL168 57
DL180 - DL182 58
DL190 - DL192 58
DL20 78
DL219 112
DL270 - DL272 57
DL290 - D292 58
DL30 - DL31 56
DL340-DL342 59
DL380 - DL382 58
DL410 - DL412 59
DL450 - DL452 59
DL47 168
DL5025 - DL5050 350

DL54 - DL55 56
DL56 54
DL611 76
DL64 - DL65 56
DL66 54
DLD5030 350
DLE0055EP 338
DLE0055L 338
DLE7255EP 339
DLE7255NL 339
DLE7855WC 340
DLS0060LSSS 335
DLS7260EPSSS 336
DLS7260ESCSSS 337
DLS7260NLASSS 336
DLS7860WC/8/SSS 337
DLS7860WCSSS 337
DPS1008 268
DSB8225 358
DSB8225L 358
DSF1030 267
DSF1031 267
DSF1032 267
DSF1430 267
DSF2020PB 136
DSF3020CP 136
DSF4032 279
DSF5020SC 136
DSF9030 283
DSF9032 283
DSK8000B 358
DSK8000L 358
DSW1015 268
DSW1016 268
DSW1017 268
DSW1415 268
DSW6001 279
DSW9015 283
E
EBH1 - EBH3 87
ECP1000 263
ECP9000 281
EDB5025 - EDB5030 333
EDB5025/CT - EBD5030/CT 334
EDE5025 353
EDE5030 353
EDS5025 342
EDS5030 342
EL11 - EL13 15
EL21- EL23 14
EL31 - EL33 14
ES1130 308, 412
ES1131 309, 412
ES1204 - ES1208 410
ES1222 - ES1225 410
ES1230 309, 412
ES1231 - ES1235 410
ES12713 332-334, 341, 343,
346, 347, 352, 356, 411
ES1272 344, 345, 411
ES1273 332-334, 341, 342, 411
ES1274 335-340, 411

ES1275 360, 411
ES1276 353-356, 411
ES1283 347-352, 411
ES300 - ES309 415
ES34 139
ES35 139
ES400 - ES404 415
ES420 - ES424 415
ES800 - ES803 414
ES805 - ES808 414
ESB5025 - ESB5030 333
ESB5025/CT - ESB5030/CT 334
ESE4005 277
ESE5025 353
ESE5030 353
ESE9005 282
ESK008 361
ESP9005 282
ESS5025 343
ESS5030 343
EST4005 277
EST9005 282
EST9025 282
EST9625 282
ESU9005 282
EUL001 25
EUL002 25
EUL004 25
EUL010 24
EUL020 24
EUL030 24
EUL040 24
EUL050 24
EUL060 25
EUL070 25
EUP050 73
F
FBT1008 268
FDP104 409
FDP154 409
FDPS104 409
FDPS154 409
FG1 58
FG10 79
FG1S 58
FG1WC 58
FG1Y 58
FG2 58
FG26L 58
FG27 58
FG27WC 58
FG2WC 58
FG3 55
FG4 66
FH5 20
FIX4000 200
FIX9005 281
FIX9113 200
FIXCSL 200
FIXSSL 200
FLD8025 344
FLD8030 344

FLL5025 345
FLL5030 345
FLL8025 345
FLL8030 345
FOX4019 276
FPA1301 - FPA1302 260
FPH1000 263
FPH1001 163, 264
FPH1002 163, 264
FPH1003 163, 264
FPH1004 163, 264
FPH1180 264
FPH4100 279
FPP1300 - FPP1650 258
FPP1301 258
FPP1302 259
FPP1351 258
FPP1352 259
FPP43002 278
FPP43500 - FPP46500 278
FPP43502 278
FRP50 141
FRP63 141
FSF5004 341, 343
FSF5007 341, 342
FSF5008 345
FSF5009 348, 350
FSF5010 349, 350
FSF5012 332
FSF5013 332
FSF5015 335
FSF5016 335
FSF5017 336, 337
FSF5019 334
FSF5020 334
FSF5029 333
FSF5030 333
FSF5031 336
FSF5032 337
FTD1044 163
FTD1068B 184
FTD1078B 175
FTD1230B 175
FTD1240 184
FTD1265 174
FTD1270 169
FTD1275A 169
FTD2010 187
FTD2035 187
FTD2040 186
FTD2080 184
FTD2095A 170
FTD2095E 184
FTD230 188
FTD2500 182
FTD2525 172
FTD2550 181
FTD255A 173
FTD270A 187
FTD272B 186
FTD273 181
FTD280B 186

FTD3015 162
FTD302 160
FTD3065 185
FTD3150 184
FTD3160 185
FTD3165 181
FTD3170 186
FTD337 171
FTD343 187
FTD3440 188
FTD345B 171
FTD346 171
FTD3550 182
FTD3565 170
FTD3570 173
FTD380 187
FTD401 178
FTD402 179
FTD4020A 173
FTD4025 173
FTD403 178
FTD4030 170
FTD4045A 172
FTD410 185
FTD4215 179
FTD4220 186
FTD4225 183
FTD425 172
FTD429A 173
FTD430 172
FTD444 185
FTD445 178
FTD450 188
FTD460 185
FTD470 183
FTD4750 182
FTD480 183
FTD485 180
FTD495 180
FTD505 188
FTD515 174
FTD520 189
FTD521 169
FTD523 170
FTD524 171
FTD525B 174
FTD529 179
FTD535A 174
FTD5515 161
FTD5520 162
FTD555 162
FTD557 161
FTD558 161
FTD559 161
FTD585 175
FTD585A 175
FTD600R 167
FTD605R 183
FTD620 175
FTD630A 175
FTD670 169
FTD685 181

FTD690 169
FTD700 177
FTD701 165
FTD702 165
FTD703 165
FTD710 177
FTD711 165
FTD712 165
FTD713 165
FTD720 167
FTD751 158
FTD770C 168
FTD790 168
FTD800 190
FTD805D 190
FTD810 190
FTD815 189
FTD835 189
FTD840 189
FTD850 189
FTD855 190
FTD922D 183
FTD927C 179
FTD929A 170
FTD935 162, 180
G
GI5 12
H
H2N1102/13 296
H2N1103/13 296
H2N1121/14 292
H2N1424 - H2N1446 298
H2N1900 303
H2N1950 303
H3N1207/14 292
H4.100.35.10 191
H4.100.35.20 191
H4.100.35.30 191
H4.170.35.10 191
HBS1038 267
HBS1050 267
HCH1010 265
HCH1011 265
HCH1012 265
HCH1013 265
HCH1014 265
HCH1015 266
HCH1016 266
HCH1017 266
HCH1018 266
HCH9012 283
HCH9013 283
HDPBW21 86
HDPBW4 86
HDPBW61 86
HDPBW8 86
HDSSW2 86
HDSSW5 86
HDSW1 86
HDSW2 86
HDSW20 86
HDSW3 86

HIN1322	303
HIN1322/7	300
HIN13225/11	299
HIN14252/11	299
HIN14322/11	298
HIN14325/13	297
HIN1433/13	293
HIN1433HT/13	295
HIN1433P/13	294
HIN1433SEC/13	295
HIN2424	302
HIN3424	302
HINFP1	87, 104
HINFP4	87, 104
HIP1332	302
HIW13215	302
HL4	141
HL5	141
HL6	141
HM4	141
HM5	141
HRB1000/P62 - P85	266
HSD3	86
HSD4	86
I	
IN5	21
INT1008	268, 413
INT1102	296, 412
INT1433	292-300, 412
INT1433/300B/R	412
INT1433/300B/S	412
INT2024	314, 413
INT2024/60	314, 413
INT2500	413
INTAA45	413
INTAA77	115
IPB100 - IPB200	398
ISH076	398
ISH114	398
ISH150	398
K	
KPP1590 - KPP1915	259
L	
LCP1000	344
LDB5525 - LDB5530	332
LDE5325	355
LDE5330	355
LDS5325	341
LDS5330	341
LDS5525	341
LDS5530	341
LET10100A	261
LET1050A	261
LET1090A - LET1090C	262
LF1006LH/RH	98
LF34LH/RH	98
LF5101	99
LF5103	99
LF5113	91
LF5114	91
LF5115	91
LF5116	91

LF5117	91
LF5118	91
LF5121	104
LF5122	104
LF5123	104
LF5130	105
LF5260LH/RH	100
LF5266	100
LF5501	90
LF5501Y	90
LF5502	90
LF5503	90
LF5504	90
LF5505	90
LF5506	90
LF5507	91
LF5507Y	91
LF5508	91
LF5509	91
LF55101	101
LF55102	96
LF55103	97
LF5515	104
LF5516 - LH5518	90
LF5519	104
LF5524	94
LF5525	94
LF5526	101
LF5527	105
LF5528	103
LF5530	101
LF5531	94
LF5532	93
LF5533	93
LF5534	95
LF5535	101
LF5536	95
LF5537	98
LF5538	94
LF5539	93
LF5539U	92
LF5540	98
LF5541	99
LF5542	99
LF5543	95
LF5544	97
LF5545	97
LF5546	93
LF5547	105
LF5548	105
LF55490	96
LF55491	96
LF55492	96
LF55493	96
LF55494	96
LF55495	96
LF55496	96
LF55497	96
LF55498	96
LF55499	92
LF5550	92
LF5551	91
LF5552	103

LF5574	100
LF5575	100
LF5590	97
LF5591	96
LF5592	96
LF5594	91
LF5595	92
LF56NP92	90
LFB1	360
LFB2	360
LIP9001	284
LRS4000	276
LRS4001	276
LRS9000	280
LS1003B	203
LSB5525 - LSB5530	332
LSE5225/REB	356
LSE5325	356
LSE5330	356
LSS4414	341
LSS5325	341
LSS5330	341
LSS5530	341
LW02	199
LW05	199
LW07	199
LW17	199
LW21	199
LW24	199
LX03	195
LX05	196
LX07	195
LX13	195
LX14	196
LX21	195
LX22	195
LX25	196
M	
M1000	68
M1001	64
M1001R	66
M1002	79
M1003 - M1005	167
M140NP	110
M140NP92	110
M219	113
M220	114
M30 - M31	56
M32	54
M34	64
M35	65
M35C	65
M35RS	66
M35US	65
M36	112
M37	114
M38B - M38S	115
M39	78
M39F	79
M40	117
M41	132
M42	132

M43	114
M44	120
M45	114
M47	166
M48	64
M51	113
M60	113
M61	113
M67 - M68	57
M73	120
M78	111
M86NP	108
M86NP92	108
MCN5025	344
MCN5030	344
MK001	65
MS5	21
N	
NO - N8	116
NA - ND	116
NPH1 - NPH3	87
NUM10100 - NUM10108	261
NUM10171 - NUM10178	262
NUM10500 - NUM10508	261
O	
OCP1000	263
P	
P4.100.35.00	191
P4.100.35.02	191
P4.100.35.A00	191
PAC1225 - PAC1600	249
PAD1150 - PAD1450	249
PAD4150 - PAD4300	276
PAD9150 - PAD9300	281
PAM1300	250
PAT1225 - PAT1300	250
PBC1300	249
PBD1300	249
PBT1300	250
PCC1450 - PCC1600	249
PCD1450 - PCD11800	249
PCG1350SSS-B-B	249
PCM1450	250
PCP1000	263
PCT1450 - PCT11800	250
PCTS1350	250
PF100R	76
PF101L	76
PF102	77
PF103ER	76
PF104EL	76
PF105E	77
PF106	77
PF107	78
PF108	72
PF109AL	77
PF109AR	77
PF110	78
PFD1225 - PFD1300	249
PFD9150 - PFD9450	281
PFPH1000	162
PFT1225 - PFT1300	250

PH160B	73
PH170	73
PL4	141
PLB9001	284
PLE9001	284
PLP9001	284
PLT9001	284
PLU9001	284
PLW	54
PLWCP	54
Q	
QE001	20
QE003	20
QT004	20
R	
RBH1433LEF / RIG	302
RCA5511	357
RCB8260	358
RCB8260L	358
Rcn8160	359
Rcn8240	358
Rcn8240L	358
Rcn8260	359
Rcn8260L	359
Rcn8340	359
Rcn8360	359
RCP1000	263
RDE8043	357
RE001	21
RE003	21
RE004	21
RLE8043	357
RSE8053	357
RSE8064	357
RSL5030	342
S	
SAA21 - SAA22	280
SAA28	280
SAA60 - SAA61	280
SBF1016 - SBF1030	255
SBF80BOL	203
SCH14325/13	297
SCP10	201
SCP8	201
SDB5010	349
SDG4001	116
SEX1011 - SEX1022	260
SEX4011 - SEX4018	277
SL1 - SL2	111
SP104	133, 202
SP104L	202
SP18	200
SP21	202
SP22	202
SP25	203
SP44A	202
SP45	203
SP47	203
SP4M	202
SP6T	202
SP75	203
SP7L140S	203

SP8	200
SP81	202
SP82	202
SP8L	200
SPB10	201
SPB75	200
SPB8	201
SPGS	203
SPLFSPRINGLH / RH	202
SPS	200
SPS85CP	200
SPS85SN	200
SPSCP	200
SPSSC	200
SS6	201
SSE1405	227
SSK1062	227
SSL1401	226
SSL1402	226
SSL1403	226
SSL1404	226
SSL1405	226
SSL1406	227
SSM1415 - SSM1460	253
SSP1405	227
SSR1405SSS/DUO	254
SST1415	227
SW102SSS	214
SW105-ISSS	214
SW107SSS	214
SW123	214
SW4102	210
SW4123	209
SW4123X/SSS/G304	209
SW4125	209
SW4150	209
SWE1000	272
SWE1010	272
SWE1011	272
SWE1020	273
SWE1030	272
SWE1036D	273
SWE1040	273
SWE1050	273
SWKNR1058	214
SWL1006DUO	218
SWL1009DUO	218
SWL1010DUO	218
SWL102	223
SWL103	223
SWL1116	218
SWL1118	218
SWL1120	219
SWL1121	219
SWL1122	219
SWL1127	219
SWL1131	219
SWL1132	220
SWL1133	220
SWL1134	220
SWL1135	220
SWL1160	220

SWL1161	221
SWL1165	221
SWL1168	221
SWL1169	221
SWL1190	221
SWL1192	222
SWL1194	222
SWL1196	222
SWL191	222
SWLP1134/300 - 600	253
SWLP123	241
SWOB	241
SWOE	241
SWOE/72	241
SWOP	241
SWOT-I	241
SWOT-I/78	241
SWP1160/600	253
SWP1169/300 - 600	252
SWR1136	201
SWR1137	223, 254
SWT1016	223
SWT1025	223
SWT4105-I	210
SWT4107-I	210
SX5	10
SZ5004	38
SZC001	43
SZC003	43
SZC004	43
SZC010	42
SZC011 - SZC013	44
SZC020	42
SZC021 - SZC023	44
SZC030	42
SZC031 - SZC033	44
SZC040	42
SZC041- SZC043	44
SZC050	42
SZC051 - SZC053	45
SZC340	43
SZM000	37
SZM001	37, 49
SZM001SQ	38
SZM003	37, 49
SZM003SQ	38
SZM004	38, 49
SZM004SQ	38
SZM014	32
SZM025	32
SZM044	39
SZM044YCP	39
SZM045	39
SZM046	39
SZM110	32
SZM130	32
SZM160	32
SZM170	30
SZM210	33
SZM210SQ	33
SZM220	33
SZM241	39

SZM241Y	39
SZM242	39
SZM243	39
SZM250	34
SZM270	30
SZM310	31
SZM370	34
SZM371	39
SZM371Y	39
SZM372	39
SZM373	39
SZM380	35
SZMR	38, 201
SZMRSQ	38, 201
SZR001	49
SZR002	49
SZR004	49
SZR010	48
SZR011	50
SZR011Y	50
SZR012	50
SZR013	50
SZR020	48
SZR021	50
SZR021Y	50
SZR022	50
SZR023	50
SZR030	48
SZR031	50
SZR031Y	50
SZR032	50
SZR033	50
SZR040	48
SZR041	50
SZR041Y	50
SZR042	50
SZR043	50
SZR050	48
SZR051	51
SZR051Y	51
SZR052	51
SZR053	51
SZR060	49
SZR061	51
SZR061Y	51
SZR062	51
SZR063	51
SZS01NP92	109
SZS03NP92LH / RH	109
SZS44S	121
SZS73	121
T	
TC5	20
TL1 -TL4	352
TL7A	352
TL9A	351
TLD5025 - TLD5050	349
TLD5830 - TLD5850	349
TLS5025 - TLS5050	348
TLS8030	347
U	
ULE5025	355

ULE5030	355
ULS5025	352
ULS5030	352
URBS5030	347
URES5030	346
URLS5330	346
V	
V1005	123
V1005LCK	123
V1006LCK	123
V1007LC	123
V1008LH / RH	124
W	
WF11	120
WF12	120
WF13	189
WF14	125, 202
WF15	125, 202
WF16	120
WF17	125
WF18	125
WF21	121
WF22	121
WF23	121
WF24	121
WF25	124
WFKEY/4MMCP	124
WSB8125	358
X	
XCA5000	404
XDB5760	404
XDL5760	404
XIA5002	404
XIA5003	405
XSA5002	405
XSA5003	405
XSA5033K	405
Z	
ZIN3003	35
ZIN3111	35
ZIN3112	35
ZIN3115	35
ZIN3116	36
ZIN3121	36
ZIN3129	36
ZIN3130	36
ZIN3131	36
ZIN3139	37

CREDIT CONTROL
01228 815307

MARKETING
01228 511030

MASTER KEY
01254 274140

TECHNICAL & SPECIFICATION
01254 274176

PURCHASING
01228 815301

CYLINDER SHOP
01254 274145

ACCOUNT ASSOCIATES
01254 274199

CUSTOMER SERVICE
01228 511030

IT HELPDESK
01228 587758



SCAN ME

**Any questions?
Contact us**

Give us a call or send an email and we'll get back to you with answers as soon as possible



Follow our sustainability journey

The paper used to create this catalogue is both FSC[®] certified and Carbon Balanced (WLT - World Land Trust accredited). Sterling are a ISO 14001 accredited company who use 100% vegetable based inks.



Re-using heat generated by the presses to heat the factory during winter



Reduction of chemicals and water used on all presses



Solar panels on the factory roof that save electricity and regenerate power



sterling[®]





SCAN ME



EUROLITE



EUROSPEC



SEROZZETTA



MANITAL

CARLISLE BRASS LTD, Parkhouse Road, Carlisle, Cumbria, CA3 0JU www.carlislebrass.com
sales@eurolite.co.uk Sales: 01772 672 020 www.eurolite.co.uk
enquiries@carlislebrass.com Sales: 01228 511030 T: 01228 511770 Company Registration Number: 2022858



LITCBCAT23